

14DT/14RT Dimensions

(Unit : mm)

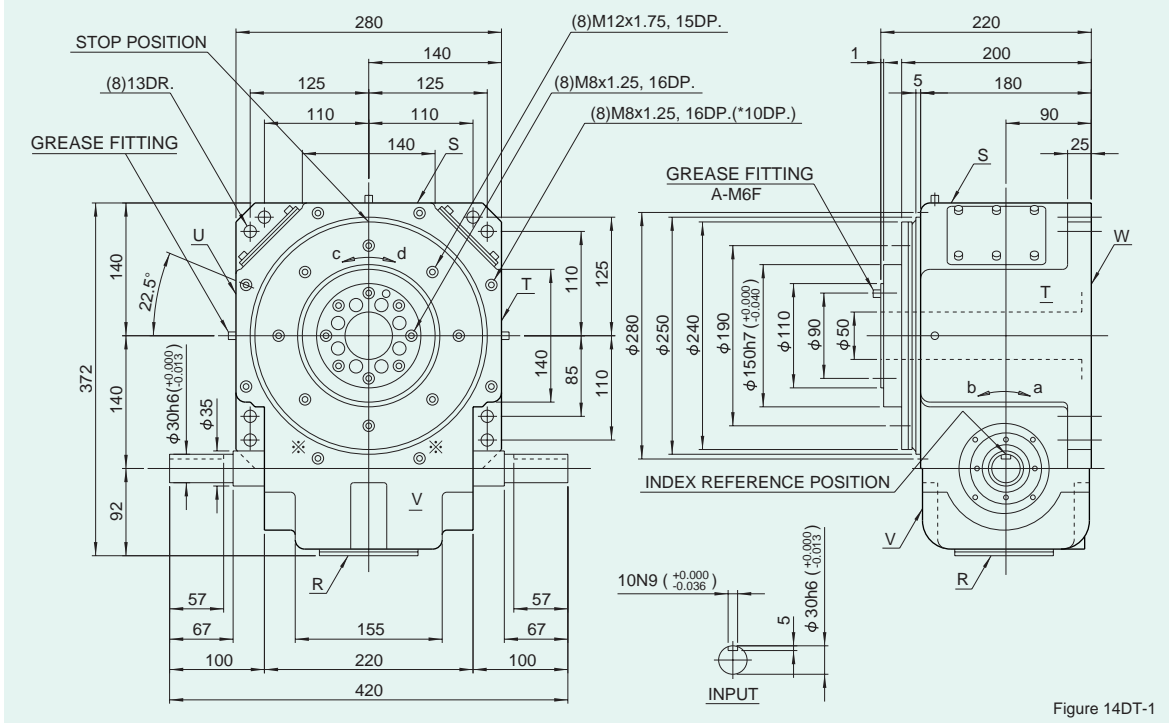


Figure 14DT-1

Locations of oil plug, etc., and oil capacity

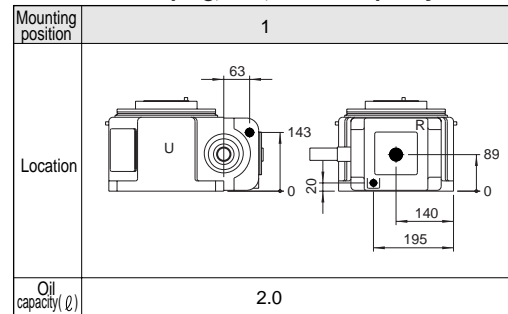


Figure 14DT-2

Precautions

- Each point indicated in the mounting positions shown in Figure 14DT-2 represents (starting at top) the oil plug (PT1/2), oil level (VA-01), and drain (PT3/8).
- The mounting positions correspond to code i for the indexing, oscillating, and roller drives.
- The oil levels indicated in Figure 14DT-2 are given in general figures and will differ according to the profile of the cam and the number of cam followers.

Specifications

Table 14DT-1

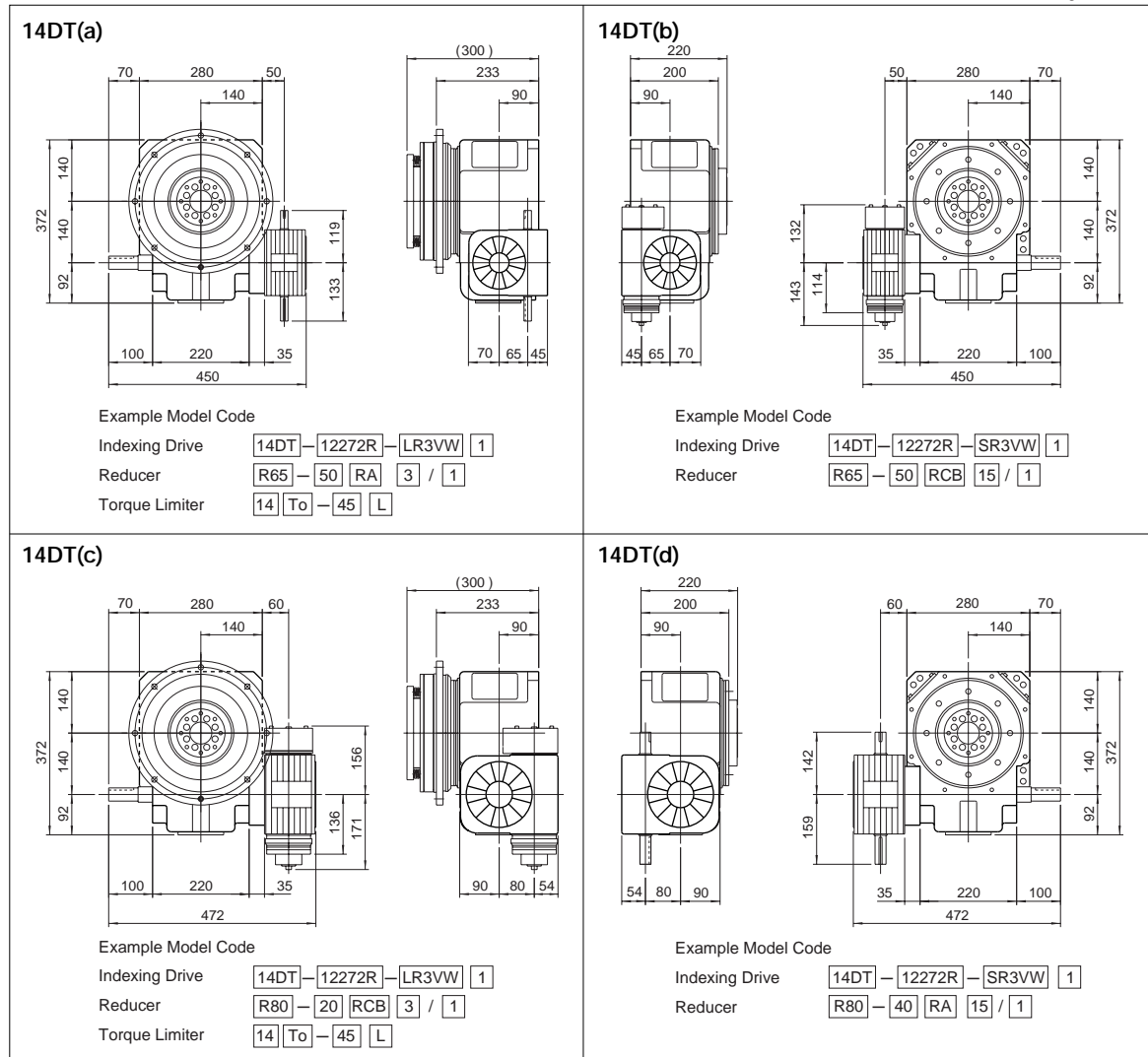
Item	Symbol	Unit	Value	Item	Symbol	Unit	Value	Item	Symbol	Unit	Value
Output allowable axial load	P ₁	N	10290	Input allowable axial load	P ₄	N	4900	Indexing accuracy (1 DWELL)		sec	±30
Output allowable radial load	P ₂	N	7056	Input maximum repetitious bending force	P ₅	N	3430	Indexing accuracy (2 DWELL)		sec	±60
Output static torque	T _s	N·m	Refer to Torque Capacity Table	Input maximum repetitious allowable torque	P ₆	N·m	519.4	Indexing accuracy (3 DWELL)		sec	±90
Output torsional rigidity	K ₁	N·m/rad	7.64x10 ⁵	Input torsional rigidity	K ₂	N·m/rad	2.25x10 ⁴	Indexing accuracy (4 DWELL)		sec	±120
Output inertia	J _o	kg·m ²	0.125	Input inertia	J ₁	kg·m ²	1.75x10 ⁻²	Repetitive accuracy		sec	30
Output allowable bending moment	P ₃	N·m	235.2					Product weight		kg	80
								Housing color		Gray	

Note : Input inertia : J is calculated in dwell.

(1N=0.102kgf)

Mounted accessories

Figure 14DT-3



Precautions

- Models 14DT and 14RT can be equipped with reducers R65 and R80.
- The reducer can be mounted in 16 different positions as shown on page of Reducer.
- Models 14DT and 14RT can be equipped with torque limiters 14To.
- Reducers require a collar for mounting.