

## 11DT/11RT Dimensions

(Unit : mm)

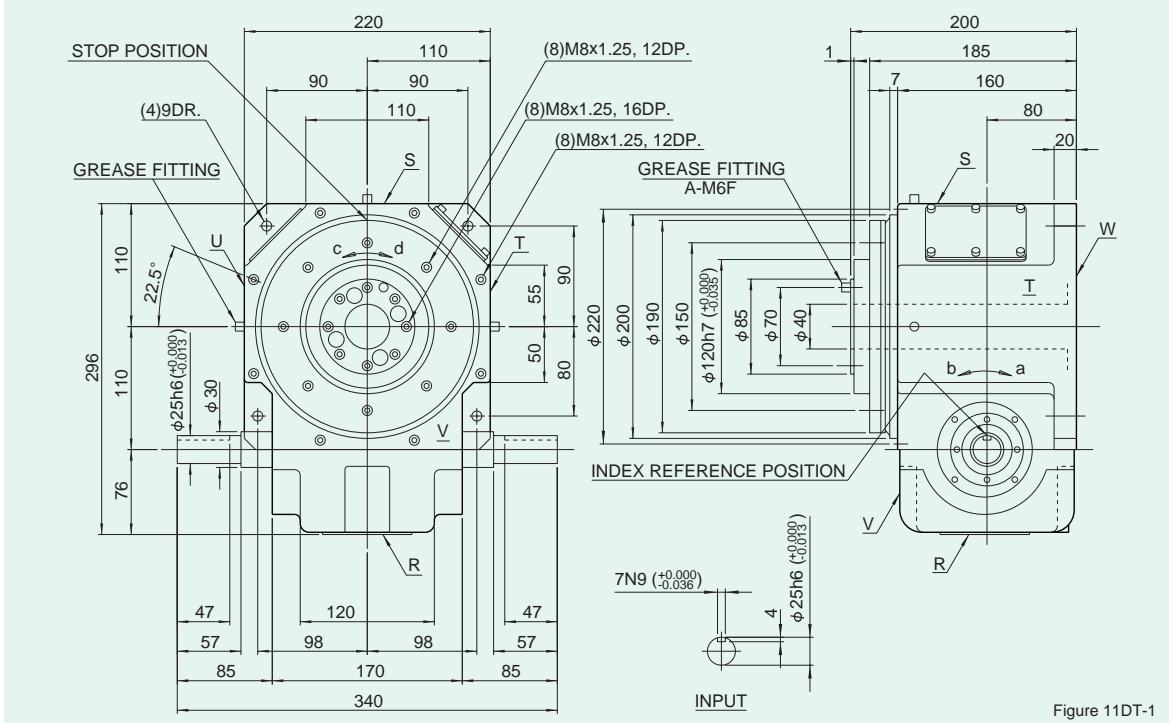


Figure 11DT-1

## Locations of oil plug, etc., and oil capacity

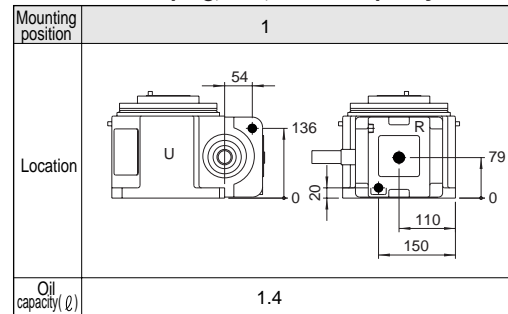


Figure 11DT-2

## Precautions

- Each point indicated in the mounting positions shown in Figure 11DT-2 represents (starting at top) the oil plug (PT3/8), oil level (VA-01), and drain (PT3/8).
- The mounting positions correspond to code i for the indexing, oscillating, and roller drives.
- The oil levels indicated in Figure 11DT-2 are given in general figures and will differ according to the profile of the cam and the number of cam followers.

## Specifications

Table 11DT-1

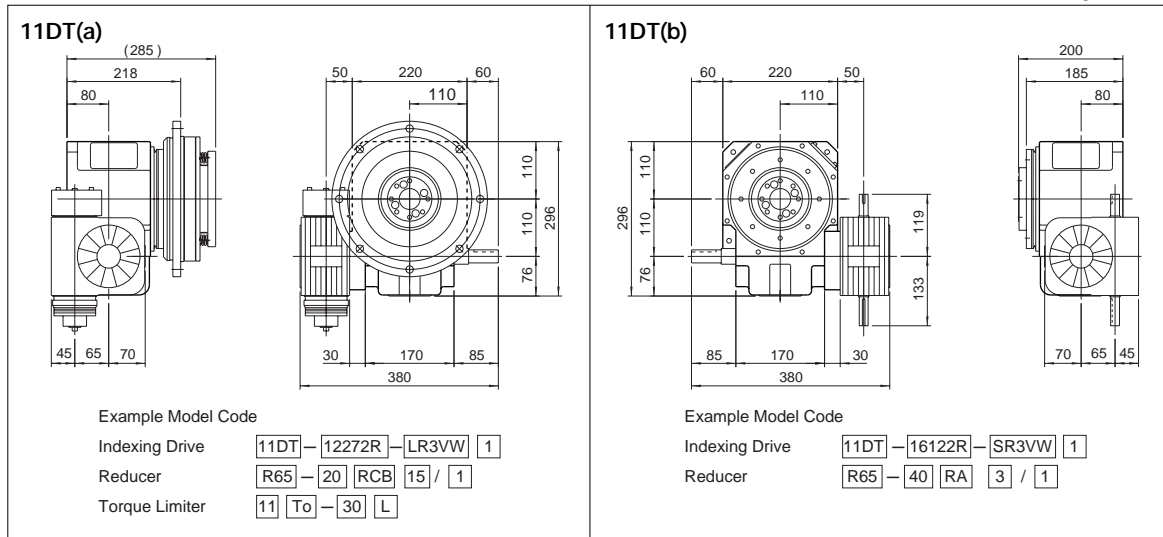
Item	Symbol	Unit	Value	Item	Symbol	Unit	Value	Item	Symbol	Unit	Value
Output allowable axial load	P <sub>1</sub>	N	8428	Input allowable axial load	P <sub>4</sub>	N	2940	Indexing accuracy (1 DWELL)		sec	±30
Output allowable radial load	P <sub>2</sub>	N	4116	Input maximum repetitious bending force	P <sub>5</sub>	N	2450	Indexing accuracy (2 DWELL)		sec	±60
Output static torque	T <sub>s</sub>	N·m	Refer to Torque Capacity Table	Input maximum repetitious allowable torque	P <sub>6</sub>	N·m	245	Indexing accuracy (3 DWELL)		sec	±90
Output torsional rigidity	K <sub>1</sub>	N·m/rad	3.92x10 <sup>5</sup>	Input torsional rigidity	K <sub>2</sub>	N·m/rad	1.57x10 <sup>4</sup>	Indexing accuracy (4 DWELL)		sec	±120
Output inertia	J <sub>o</sub>	kg·m <sup>2</sup>	3.75x10 <sup>-2</sup>	Input inertia	J <sub>1</sub>	kg·m <sup>2</sup>	2.5x10 <sup>-3</sup>	Repetitive accuracy		sec	30
Output allowable bending moment	P <sub>3</sub>	N·m	117.6					Product weight		kg	50
								Housing color		Gray	

Note : Input inertia : J is calculated in dwell.

(1N=0.102kgf)

Mounted accessories

Figure 11DT-3



**Precautions**

- Models 11DT and 11RT can be equipped with reducer R48.
- The reducer can be mounted in 16 different positions as shown on page of Reducer.
- Models 11DT and 11RT can be equipped with torque limiters 11To.
- Reducers require a collar for mounting.