

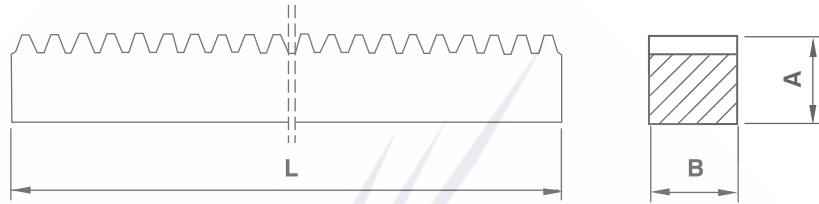


齿轮齿条篇

沈阳光宇科技有限公司

SHENYANG GUANGYU KE JI YOUXIAN GONGSI

齿条技术参数



模数	L=250		L=500		L=1000		L=2000	
	型号	A × B	型号	A × B	型号	A × B	型号	A × B
1	CHSR1-250	15 × 15	CHSR1-500	15 × 15	CHSR1-1000	15 × 15	CHSR1-2000	15 × 15
1.5	CHSR1.5-250	17 × 17	CHSR1.5-500	17 × 17	CHSR1.5-1000	17 × 17	CHSR1.5-2000	17 × 17
2	CHSR2-250	20 × 20	CHSR2-500	20 × 20	CHSR2-1000	20 × 20	CHSR2-2000	20 × 20
2.5	CHSR2.5-250	25 × 25	CHSR2.5-500	25 × 25	CHSR2.5-1000	25 × 25	CHSR2.5-2000	25 × 25
4					CHSR4A-1000	22 × 22	CHSR4A-2000	22 × 22
4					CHSR4B-1000	25 × 25	CHSR4B-2000	25 × 25
4			CHSR4C-500	30 × 30	CHSR4C-1000	30 × 30	CHSR4C-2000	30 × 30
4	CHSR4-250	40 × 40	CHSR4-500	40 × 40	CHSR4-1000	40 × 40	CHSR4-2000	40 × 40
5	CHSR5-250	50 × 50	CHSR5-500	50 × 50	CHSR5-1000	50 × 50	CHSR5-2000	50 × 50
6			CHSR6-500	60 × 60	CHSR6-1000	60 × 60	CHSR6-2000	60 × 60
8					CHSR8-1000	80 × 80	CHSR8-2000	80 × 80



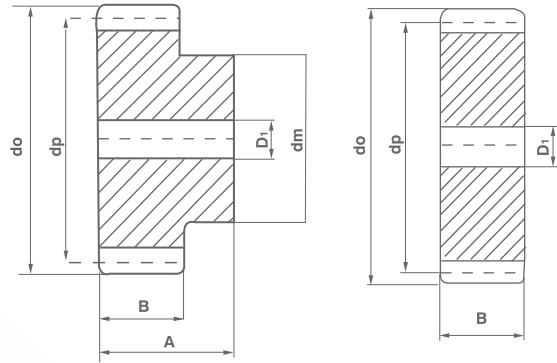
齿轮技术参数

Total thickness 《A》

Modulo 1 =25mm
 Modulo 1.5 =30mm
 modulo 2 =35mm
 Modulo 2.5 =45mm
 modulo 3 =50mm
 modulo 4 =60mm
 modulo 5 =75mm
 modulo 6 =80mm

Tooth Width 《B》

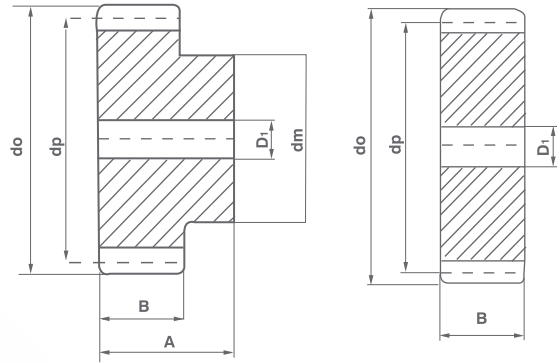
Modulo 1 =15mm
 Modulo 1.5 =17mm
 modulo 2 =20mm
 Modulo 2.5 =25mm
 modulo 3 =30mm
 modulo 4 =40mm
 modulo 5 =50mm
 modulo 6 =60mm



型号	齿数	M0d 1				型号	齿数	M0d 1.5			
		do	dp	dm	D1			do	dp	dm	D1
CHSS1-12	12	14	12	9	6	CHSS1.5-12	12	21.0	18.0	14	8
CHSS1-13	13	15	13	10	6	CHSS1.5-13	13	22.5	19.5	15	8
CHSS1-14	14	16	14	11	6	CHSS1.5-14	14	24.0	21.0	17	8
CHSS1-15	15	17	15	12	6	CHSS1.5-15	15	25.5	22.5	18	8
CHSS1-16	16	18	16	13	6	CHSS1.5-16	16	27.0	24.0	19	8
CHSS1-17	17	19	17	14	6	CHSS1.5-17	17	28.5	25.5	20	8
CHSS1-18	18	20	18	15	8	CHSS1.5-18	18	30.0	27.0	20	8
CHSS1-19	19	21	19	15	8	CHSS1.5-19	19	31.5	28.5	20	8
CHSS1-20	20	22	20	16	8	CHSS1.5-20	20	33.0	30.0	25	8
CHSS1-21	21	23	21	16	8	CHSS1.5-21	21	34.5	31.5	25	10
CHSS1-22	22	24	22	16	8	CHSS1.5-22	22	36.0	33.0	25	10
CHSS1-23	23	25	23	18	8	CHSS1.5-23	23	37.5	34.5	25	10
CHSS1-24	24	26	24	20	10	CHSS1.5-24	24	39.0	36.0	25	10
CHSS1-25	25	27	25	20	10	CHSS1.5-25	25	40.5	37.5	25	10
CHSS1-26	26	28	26	20	10	CHSS1.5-26	26	42.0	39.0	30	12
CHSS1-27	27	29	27	20	10	CHSS1.5-27	27	43.5	40.5	30	12
CHSS1-28	28	30	28	20	10	CHSS1.5-28	28	45.0	42.0	30	12
CHSS1-29	29	31	29	20	10	CHSS1.5-29	29	46.5	43.5	30	12
CHSS1-30	30	32	30	20	10	CHSS1.5-30	30	48.0	45.0	30	12
CHSS1-31	31	33	31	25	10	CHSS1.5-31	31	49.5	46.5	35	12
CHSS1-32	32	34	32	25	10	CHSS1.5-32	32	51.0	48.0	35	12
CHSS1-33	33	35	33	25	10	CHSS1.5-33	33	52.5	49.5	35	12
CHSS1-34	34	36	34	25	10	CHSS1.5-34	34	54.0	51.0	35	12
CHSS1-35	35	37	35	25	10	CHSS1.5-35	35	55.5	52.5	35	12
CHSS1-36	36	38	36	25	10	CHSS1.5-36	36	57.0	54.0	35	12
CHSS1-37	37	39	37	25	10	CHSS1.5-37	37	58.5	55.5	40	12
CHSS1-38	38	40	38	25	10	CHSS1.5-38	38	60.0	57.0	40	12
CHSS1-39	39	41	39	25	10	CHSS1.5-39	39	61.5	58.5	40	12
CHSS1-40	40	42	40	25	10	CHSS1.5-40	40	63.0	60.0	40	12
CHSS1-41	41	43	41	30	10	CHSS1.5-41	41	64.5	61.5	40	12
CHSS1-42	42	44	42	30	10	CHSS1.5-42	42	66.0	63.0	50	12
CHSS1-43	43	45	43	30	10	CHSS1.5-43	43	67.5	64.5	50	12
CHSS1-44	44	46	44	30	10	CHSS1.5-44	44	69.0	66.0	50	12
CHSS1-45	45	47	45	30	10	CHSS1.5-45	45	70.5	67.5	50	12
CHSS1-46	46	48	46	30	10	CHSS1.5-46	46	72.0	69.0	50	14
CHSS1-47	47	49	47	30	10	CHSS1.5-47	47	73.5	70.5	50	14
CHSS1-48	48	50	48	30	10	CHSS1.5-48	48	75.0	72.0	50	14
CHSS1-49	49	51	49	30	10	CHSS1.5-49	49	76.5	73.5	50	14
CHSS1-50	50	52	50	30	12	CHSS1.5-50	50	78.0	75.0	50	14
CHSS1-51	51	53	51	40	12	CHSS1.5-51	51	79.5	76.5	60	14
CHSS1-52	52	54	52	40	12	CHSS1.5-52	52	81.0	78.0	60	14
CHSS1-53	53	55	53	40	12	CHSS1.5-53	53	82.5	79.5	60	14
CHSS1-54	54	56	54	40	12	CHSS1.5-54	54	84.0	81.0	60	14
CHSS1-55	55	57	55	40	12	CHSS1.5-55	55	85.5	82.5	60	14
CHSS1-56	56	58	56	40	12	CHSS1.5-56	56	87.0	84.0	60	16
CHSS1-57	57	59	57	40	12	CHSS1.5-57	57	88.5	85.5	60	16
CHSS1-58	58	60	58	40	12	CHSS1.5-58	58	90.0	87.0	60	16
CHSS1-59	59	61	59	40	12	CHSS1.5-59	59	91.5	88.5	60	16
CHSS1-60	60	62	60	40	12	CHSS1.5-60	60	93.0	90.0	60	16
CHSS1-61	61	63	61	50	12	CHSS1.5-61	61	94.5	91.5	70	16
CHSS1-62	62	64	62	50	12	CHSS1.5-62	62	96.0	93.0	70	16
CHSS1-63	63	65	63	50	12	CHSS1.5-63	63	97.5	94.5	70	16
CHSS1-64	64	66	64	50	12	CHSS1.5-64	64	99.0	96.0	70	16
CHSS1-65	65	67	65	50	12	CHSS1.5-65	65	100.5	97.5	70	16
CHSS1-66	66	68	66	50	12	CHSS1.5-66	66	102.0	99.0	70	16
CHSS1-67	67	69	67	50	12	CHSS1.5-67	67	103.5	100.5	70	16
CHSS1-68	68	70	68	50	12	CHSS1.5-68	68	105.0	102.0	70	16
CHSS1-69	69	71	69	50	12	CHSS1.5-69	69	106.5	103.5	70	16
CHSS1-70	70	72	70	50	12	CHSS1.5-70	70	108.0	105.0	70	16
CHSS1-72	72	74	72	50	12	CHSS1.5-72	72	111.0	108.0	70	16
CHSS1-75	75	77	75	50	12	CHSS1.5-75	75	115.5	112.5	70	16
CHSS1-76	76	78	76	50	12	CHSS1.5-76	76	117.0	114.0	70	16
CHSS1-80	80	82	80	50	12	CHSS1.5-80	80	123.0	120.0	70	16
CHSS1-85	85	87	85	50	12	CHSS1.5-85	85	130.5	127.5	70	16
CHSS1-90	90	92	90	50	12	CHSS1.5-90	90	138.0	135.0	70	16

齿轮技术参数

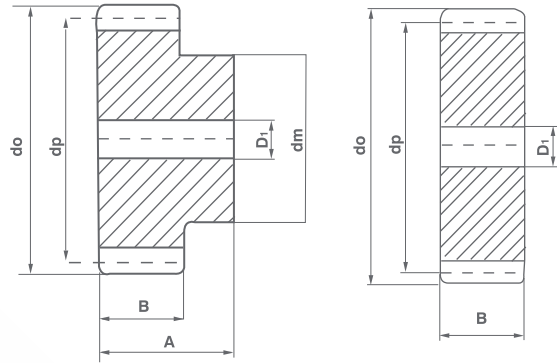
Total thickness 《A》		Tooth Width 《B》	
Modulo 1	=25mm	Modulo 1	=15mm
Modulo 1.5	=30mm	Modulo 1.5	=17mm
modulo 2	=35mm	modulo 2	=20mm
Modulo 2.5	=45mm	Modulo 2.5	=25mm
modulo 3	=50mm	modulo 3	=30mm
modulo 4	=60mm	modulo 4	=40mm
modulo 5	=75mm	modulo 5	=50mm
modulo 6	=80mm	modulo 6	=60mm



型号	齿数	M0d 2				型号	齿数	M0d 2.5			
		do	dp	dm	D1			do	dp	dm	D1
CHSS2-12	12	28	24	18	10	CHSS2.5-12	12	35.0	30.0	22	10
CHSS2-13	13	30	26	20	10	CHSS2.5-13	13	37.5	32.5	25	10
CHSS2-14	14	32	28	22	10	CHSS2.5-14	14	40.0	35.0	28	10
CHSS2-15	15	34	30	24	10	CHSS2.5-15	15	42.5	37.5	30	10
CHSS2-16	16	36	32	25	10	CHSS2.5-16	16	45.0	40.0	32	12
CHSS2-17	17	38	34	25	10	CHSS2.5-17	17	47.5	42.5	35	12
CHSS2-18	18	40	36	25	10	CHSS2.5-18	18	50.0	45.0	35	12
CHSS2-19	19	42	38	25	10	CHSS2.5-19	19	52.5	47.5	35	12
CHSS2-20	20	44	40	30	10	CHSS2.5-20	20	55.0	50.0	40	12
CHSS2-21	21	46	42	30	12	CHSS2.5-21	21	57.5	52.5	40	14
CHSS2-22	22	48	44	30	12	CHSS2.5-22	22	60.0	55.0	45	14
CHSS2-23	23	50	46	30	12	CHSS2.5-23	23	62.5	57.5	45	14
CHSS2-24	24	52	48	35	12	CHSS2.5-24	24	65.0	60.0	45	14
CHSS2-25	25	54	50	35	12	CHSS2.5-25	25	67.5	62.5	50	14
CHSS2-26	26	56	52	40	12	CHSS2.5-26	26	70.0	65.0	50	14
CHSS2-27	27	58	54	40	12	CHSS2.5-27	27	72.5	67.5	50	14
CHSS2-28	28	60	56	40	12	CHSS2.5-28	28	75.0	70.0	50	14
CHSS2-29	29	62	58	40	14	CHSS2.5-29	29	77.5	72.5	50	14
CHSS2-30	30	64	60	40	14	CHSS2.5-30	30	80.0	75.0	55	14
CHSS2-31	31	66	62	45	14	CHSS2.5-31	31	82.5	77.5	55	16
CHSS2-32	32	68	64	45	14	CHSS2.5-32	32	85.0	80.0	55	16
CHSS2-33	33	70	66	45	14	CHSS2.5-33	33	87.5	82.5	55	16
CHSS2-34	34	72	68	45	14	CHSS2.5-34	34	90.0	85.0	55	16
CHSS2-35	35	74	70	45	14	CHSS2.5-35	35	92.5	87.5	60	16
CHSS2-36	36	76	72	45	14	CHSS2.5-36	36	95.0	90.0	60	16
CHSS2-37	37	78	74	50	14	CHSS2.5-37	37	97.5	92.5	60	16
CHSS2-38	38	80	76	50	14	CHSS2.5-38	38	100.0	95.0	60	16
CHSS2-39	39	82	78	50	14	CHSS2.5-39	39	102.5	97.5	60	16
CHSS2-40	40	84	80	50	14	CHSS2.5-40	40	105.0	100.0	70	16
CHSS2-41	41	86	82	55	16	CHSS2.5-41	41	107.5	102.5	70	16
CHSS2-42	42	88	84	55	16	CHSS2.5-42	42	110.0	105.0	70	16
CHSS2-43	43	90	86	55	16	CHSS2.5-43	43	112.5	107.5	70	16
CHSS2-44	44	92	88	60	16	CHSS2.5-44	44	115.0	110.0	70	16
CHSS2-45	45	94	90	60	16	CHSS2.5-45	45	117.5	112.5	70	16
CHSS2-46	46	96	92	60	16	CHSS2.5-46	46	120.0	115.0	70	20
CHSS2-47	47	98	94	70	16	CHSS2.5-47	47	122.5	117.5	80	20
CHSS2-48	48	100	96	70	16	CHSS2.5-48	48	125.0	120.0	80	20
CHSS2-49	49	102	98	70	16	CHSS2.5-49	49	127.5	122.5	80	20
CHSS2-50	50	104	100	70	16	CHSS2.5-50	50	130.0	125.0	80	20
CHSS2-51	51	106	102	70	16	CHSS2.5-51	51	132.5	127.5	80	20
CHSS2-52	52	108	104	70	16	CHSS2.5-52	52	135.0	130.0	90	20
CHSS2-53	53	110	106	70	16	CHSS2.5-53	53	137.5	132.5	90	20
CHSS2-54	54	112	108	70	16	CHSS2.5-54	54	140.0	135.0	90	20
CHSS2-55	55	114	110	70	16	CHSS2.5-55	55	142.5	137.5	90	20
CHSS2-56	56	116	112	70	16	CHSS2.5-56	56	145.0	140.0	100	20
CHSS2-57	57	118	114	70	16	CHSS2.5-57	57	147.5	142.5	100	20
CHSS2-58	58	120	116	70	16	CHSS2.5-58	58	150.0	145.0	100	20
CHSS2-59	59	122	118	70	16	CHSS2.5-59	59	152.5	147.5	100	20
CHSS2-60	60	124	120	70	16	CHSS2.5-60	60	155.0	150.0	100	20
CHSS2-61	61	126	122	80	16	CHSS2.5-61	61				
CHSS2-62	62	128	124	80	16	CHSS2.5-62	62				
CHSS2-63	63	130	126	80	16	CHSS2.5-63	63				
CHSS2-64	64	132	128	80	16	CHSS2.5-64	64				
CHSS2-65	65	134	130	80	16	CHSS2.5-65	65	167.5	162.5		20
CHSS2-66	66	136	132	80	16	CHSS2.5-66	66				
CHSS2-67	67	138	134	80	16	CHSS2.5-67	67				
CHSS2-68	68	140	136	80	16	CHSS2.5-68	68				
CHSS2-69	69	142	138	80	16	CHSS2.5-69	69				
CHSS2-70	70	144	140	80	16	CHSS2.5-70	70	180.0	175.0		20
CHSS2-72	72	148	144		16	CHSS2.5-72	72	185.0	180.0		20
CHSS2-75	75	154	150		20	CHSS2.5-75	75	192.5	187.5		20
CHSS2-76	76	156	152		20	CHSS2.5-76	76	195.0	190.0		20
CHSS2-80	80	164	160		20	CHSS2.5-80	80	205.0	200.0		25
CHSS2-85	85	174	170		20	CHSS2.5-85	85	217.5	212.5		25
CHSS2-90	90	184	180		20	CHSS2.5-90	90	230.0	225.0		25

齿轮技术参数

Total thickness 《A》		Tooth Width 《B》	
Modulo 1	=25mm	Modulo 1	=15mm
Modulo 1.5	=30mm	Modulo 1.5	=17mm
modulo 2	=35mm	modulo 2	=20mm
Modulo 2.5	=45mm	Modulo 2.5	=25mm
modulo 3	=50mm	modulo 3	=30mm
modulo 4	=60mm	modulo 4	=40mm
modulo 5	=75mm	modulo 5	=50mm
modulo 6	=80mm	modulo 6	=60mm



型号	齿数	Mod 3				型号	齿数	Mod 4			
		do	dp	dm	D1			do	dp	dm	D1
CHSS3-12	12	42	36	27	12	CHSS4-12	12	56	48	35	14
CHSS3-13	13	45	39	30	12	CHSS4-13	13	60	52	40	14
CHSS3-14	14	48	42	33	12	CHSS4-14	14	64	56	45	14
CHSS3-15	15	51	45	35	12	CHSS4-15	15	68	60	45	14
CHSS3-16	16	54	48	38	14	CHSS4-16	16	72	64	50	16
CHSS3-17	17	57	51	42	14	CHSS4-17	17	76	68	50	16
CHSS3-18	18	60	54	45	14	CHSS4-18	18	80	72	50	16
CHSS3-19	19	63	57	45	14	CHSS4-19	19	84	76	60	16
CHSS3-20	20	66	60	45	14	CHSS4-20	20	88	80	60	16
CHSS3-21	21	69	63	45	16	CHSS4-21	21	92	84	70	16
CHSS3-22	22	72	66	50	16	CHSS4-22	22	96	88	70	16
CHSS3-23	23	75	69	50	16	CHSS4-23	23	100	92	75	20
CHSS3-24	24	78	72	50	16	CHSS4-24	24	104	96	75	20
CHSS3-25	25	81	75	60	16	CHSS4-25	25	108	100	75	20
CHSS3-26	26	84	78	60	16	CHSS4-26	26	112	104	75	20
CHSS3-27	27	87	81	60	16	CHSS4-27	27	116	108	75	20
CHSS3-28	28	90	84	60	16	CHSS4-28	28	120	112	75	20
CHSS3-29	29	93	87	60	16	CHSS4-29	29	124	116	75	20
CHSS3-30	30	96	90	60	16	CHSS4-30	30	128	120	75	20
CHSS3-31	31	99	93	60	16	CHSS4-31	31	132	124	80	20
CHSS3-32	32	102	96	70	16	CHSS4-32	32	136	128	80	20
CHSS3-33	33	105	99	70	16	CHSS4-33	33	140	132	80	20
CHSS3-34	34	108	102	70	16	CHSS4-34	34	144	136	80	20
CHSS3-35	35	111	105	70	16	CHSS4-35	35	148	140	80	20
CHSS3-36	36	114	108	70	20	CHSS4-36	36	152	144	80	25
CHSS3-37	37	117	111	70	20	CHSS4-37	37				
CHSS3-38	38	120	114	80	20	CHSS4-38	38	160	152	-	25
CHSS3-39	39	123	117	80	20	CHSS4-39	39				
CHSS3-40	40	126	120	80	20	CHSS4-40	40	168	160	-	25
CHSS3-41	41	129	138	90	20	CHSS4-41	41				
CHSS3-42	42	132	126	80	20	CHSS4-42	42				
CHSS3-43	43	135	129	80	20	CHSS4-43	43				
CHSS3-44	44	138	132	90	20	CHSS4-44	44				
CHSS3-45	45	141	135	90	20	CHSS4-45	45	188	180	-	25
CHSS3-46	46	144	138	90	20	CHSS4-46	46				
CHSS3-47	47	147	141	100	20	CHSS4-47	47				
CHSS3-48	48	150	144	100	20	CHSS4-48	48	200	192	-	25
CHSS3-50	50	156	150	-	20	CHSS4-50	50	208	200	-	25
CHSS3-52	52	162	156	-	20	CHSS4-52	52	216	208	-	25
CHSS3-55	55	171	165	-	20	CHSS4-55	55	228	220	-	25
CHSS3-57	57	177	171	-	20	CHSS4-57	57	236	228	-	25
CHSS3-60	60	186	180	-	20	CHSS4-60	60	248	240	-	25
CHSS3-65	65	201	195	-	20	CHSS4-65	65	268	260	-	25
CHSS3-70	70	216	210	-	25	CHSS4-70	70	288	280	-	25
CHSS3-72	72	222	216	-	25	CHSS4-72	72				
CHSS3-75	75	231	225	-	25	CHSS4-75	75	308	300	-	25
CHSS3-76	76	234	228	-	25	CHSS4-76	76	312	304	-	30
CHSS3-80	80	246	240	-	25	CHSS4-80	80	328	320	-	30
CHSS3-85	85	261	255	-	25	CHSS4-85	85	348	340	-	30
CHSS3-90	90	276	270	-	25	CHSS4-90	90	368	360	-	30
CHSS3-95	95	291	285	-	25	CHSS4-95	95	388	380	-	30
CHSS3-100	100	306	300	-	25	CHSS4-100	100	408	400	-	30
CHSS3-110	110	336	330	-	25	CHSS4-110	110	448	440	-	30
CHSS3-114	114	348	342	-	30	CHSS4-114	114	464	456	-	30
CHSS3-120	120	366	360	-	30						
CHSS3-127	127	387	381	-	30						



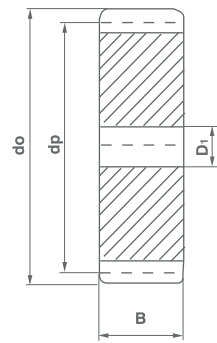
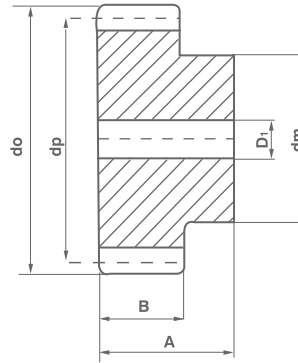
齿轮技术参数

Total thickness 《A》

Modulo 1 =25mm
 Modulo 1.5 =30mm
 modulo 2 =35mm
 Modulo 2.5 =45mm
 modulo 3 =50mm
 modulo 4 =60mm
 modulo 5 =75mm
 modulo 6 =80mm

Tooth Width 《B》

Modulo 1 =15mm
 Modulo 1.5 =17mm
 modulo 2 =20mm
 Modulo 2.5 =25mm
 modulo 3 =30mm
 modulo 4 =40mm
 modulo 5 =50mm
 modulo 6 =60mm



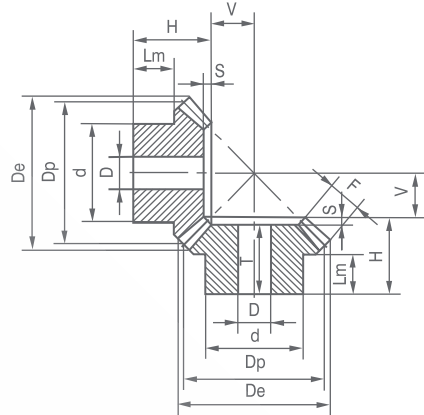
型号	齿数	Mod 5				型号	齿数	Mod 6			
		do	dp	dm	D1			do	dp	dm	D1
CHSS5-12	12	70	60	45	20	CHSS6-12	12	84	72	54	20
CHSS5-13	13	75	65	50	20	CHSS6-13	13	90	78	60	20
CHSS5-14	14	80	70	55	20	CHSS6-14	14				
CHSS5-15	15	85	75	60	20	CHSS6-15	15	102	90	70	20
CHSS5-16	16	90	80	65	20	CHSS6-16	16	108	96	75	20
CHSS5-17	17	95	85	70	20	CHSS6-17	17				
CHSS5-18	18	100	90	70	20	CHSS6-18	18	120	108	80	20
CHSS5-19	19	105	95	70	20	CHSS6-19	19				
CHSS5-20	20	110	100	80	20	CHSS6-20	20	132	120	90	20
CHSS5-21	21	115	105	80	20	CHSS6-21	21				
CHSS5-22	22	120	110	80	20	CHSS6-22	22				
CHSS5-23	23	125	115	90	20	CHSS6-23	23				
CHSS5-24	24	130	120	90	20	CHSS6-24	24	156	144	110	25
CHSS5-25	25	135	125	90	20	CHSS6-25	25	162	150	110	25
CHSS5-26	26	140	130	100	20	CHSS6-26	26				
CHSS5-27	27	145	135	100	20	CHSS6-27	27				
CHSS5-28	28	150	140	100	25	CHSS6-28	28	180	168	-	25
CHSS5-29	29	155	145	110	25	CHSS6-29	29				
CHSS5-30	30	160	150	110	25	CHSS6-30	30	192	180	-	25
CHSS5-31	31					CHSS6-31	31				
CHSS5-32	32	170	160	-	25	CHSS6-32	32	204	192	-	25
CHSS5-33	33					CHSS6-33	33				
CHSS5-34	34					CHSS6-34	34				
CHSS5-35	35	185	175	-	25	CHSS6-35	35	222	210	-	25
CHSS5-36	36					CHSS6-36	36				
CHSS5-37	37					CHSS6-37	37				
CHSS5-38	38	200	190		25	CHSS6-38	38	240	220	-	25
CHSS5-39	39					CHSS6-39	39				
CHSS5-40	40	210	200		25	CHSS6-40	40	252	240	-	25
CHSS5-41	41										
CHSS5-42	42										
CHSS5-43	43										
CHSS5-44	44										
CHSS5-45	45	235	225	-	25						
CHSS5-46	46										
CHSS5-47	47										
CHSS5-48	48	250	240	-	25						
CHSS5-50	50	260	250	-	30						
CHSS5-52	52	270	260	-	30						
CHSS5-55	55	285	275	-	30						
CHSS5-57	57	295	285	-	30						
CHSS5-60	60	310	300	-	30						
CHSS5-65	65	335	325	-	30						
CHSS5-70	70	360	350	-	30						
CHSS5-72	72										
CHSS5-75	75	385	375	-	30						
CHSS5-76	76	390	380	-	30						
CHSS5-80	80	410	400	-	30						
CHSS5-85	85	435	425	-	30						
CHSS5-90	90	460	450	-	30						
CHSS5-95	95	485	475	-	30						
CHSS5-100	100	510	500	-	30						
CHSS5-110	110	560	550	-	30						
CHSS5-114	114	580	570	-	30						



伞型齿轮技术参数

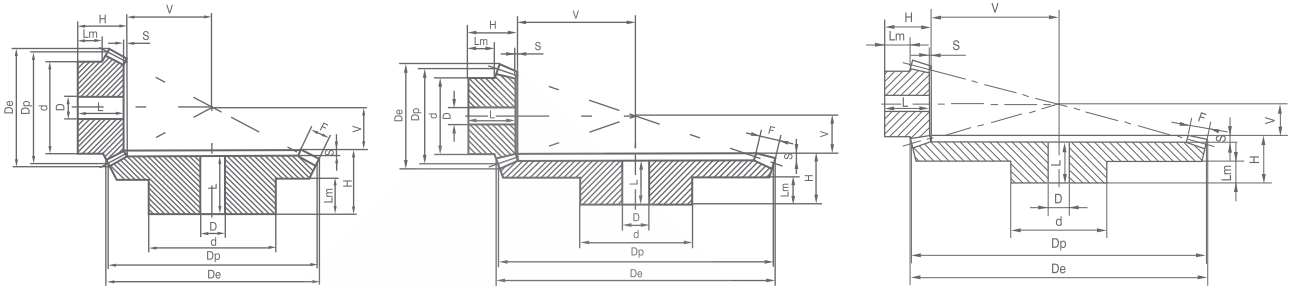
型号定义：

CHSA 1 - 1.5 - 16



型号	模数	齿数	De	Dp	H	F	d	D	V	L	Lm	S
CHSA1-1.5-16	1.5	16	26.1	24	18.9	6	20.3	8	7.1		12	
CHSA1-1.5-20		20	32.1	30	20	10	22	10	7.4	18	8.5	2
CHSA1-1.5-25		25	39.6	37.5	23	10	28	10	11.09	21	12	2
CHSA1-1.5-30		30	47.1	45	25	12	30	12	13.35	22.5	12	2.5
CHSA1-2-16	2	16	34.8	32	23.5	8	25.3	10	9.5		14	
CHSA1-2-20		20	42.8	40	25	12	32	10	10.78	22	12	3
CHSA1-2-25		25	52.8	50	28	14	40	12	14.28	25	12.3	3
CHSA1-2-30		30	62.8	60	30	16	50	12	17.78	27	12.8	3
CHSA1-2.5-16	2.5	16	43.5	40	28.1	10	30.3	12	11.9		15	
CHSA1-2.5-20		20	53.5	50	30.5	12	40	12	15.43	27	16	3.5
CHSA1-2.5-25		25	66	62.5	33.5	15	50	15	19.48	30	16	3.5
CHSA1-2.5-30		30	78.5	75	35.5	18	55	15	23.63	32	16	3.5
CHSA1-3-16	3	16	52.2	48	31.7	12	40.3	15	14.3		18	
CHSA1-3-20		20	64.2	60	35	18	45	15	16	31	13.6	4
CHSA1-3-25		25	79.2	75	38	20	55	15	22	34	16	4
CHSA1-3-30		30	94.2	90	40	22	60	20	28	36	17	4
CHSA1-3.5-16	3.5	16	60.9	56	36.4	14	45.3	15	16.6		20	
CHSA1-3.5-20		20	74.9	70	40.5	22	55	15	18.13	36	17	4.5
CHSA1-3.5-25		25	92.4	87.5	43.5	26	65	20	23.97	39	18	4.5
CHSA1-3.5-30		30	109.9	105	48	30	70	20	30.02	43.5	19	4.5
CHSA1-4-16	4	16	69.6	64	44.3	15	50.3	15	19.7		25	
CHSA1-4-20		20	85.6	80	43	25	60	18	20.74	38	18	5
CHSA1-4-25		25	105.6	100	45	28	70	20	28.5	40	18	5
CHSA1-4-30		30	125.6	120	48	32	80	25	35.67	43	16	5
CHSA1-4.5-16	4.5	16	78.3	72	46.3	18	55.3	18	21.7		25	
CHSA1-4.5-20		20	96.3	90	48	28	65	20	23.41	42	18	6
CHSA1-4.5-25		25	118.8	112.5	50	32	75	20	31.76	44	18	6
CHSA1-4.5-30		30	141.3	135	53	35	90	25	40.82	47	17	6
CHSA1-5-16	5	16	87	80	48.9	18	60.36	20	25.1		25	
CHSA1-5-20		20	107.1	100	50.5	30	70	20	26.86	44	18.5	6.5
CHSA1-5-25		25	132.1	125	53.5	34	90	20	36.36	47	18	6.5
CHSA1-5-30		30	157.1	150	56.5	38	110	30	45.97	50	18	6.5

伞型齿轮技术参数



CHSA2型

CHSA3型

CHSA4型

型号	模数	齿数	De	Dp	H	F	d	D	V	L	Lm	S
CHSA2-1.5-16	1.5	16	26.7	24	19.5	8	21	10	16.33	18	11.3	1.5
CHSA2-1.5-32		32	49.3	48	20.0	8	32	12	7.45	17	10.0	3.0
CHSA2-2-16	2	16	35.6	32	23.0	10	26	10	22.41	21	12.2	2.0
CHSA2-2-32		32	65.8	64	25.0	10	40	12	10.21	21	10.0	4.0
CHSA2-2.5-16	2.5	16	44.4	40	27.5	12	34	12	28.38	25	14.4	2.5
CHSA2-2.5-32		32	82.2	80	26.0	12	50	15	14.10	20	10.0	5.0
CHSA2-3-16	3	16	53.4	48	28.0	15	40	15	33.64	25	11.6	3.0
CHSA2-3-32		32	98.7	96	30.0	15	60	15	15.31	24	10.0	6.0
CHSA2-3.5-16	3.5	16	62.3	56	33.5	18	48	15	38.83	30	14.4	3.5
CHSA2-3.5-32		32	115.1	112	31.0	18	70	20	17.77	24	10.0	7.0
CHSA2-4-16	4	16	71.1	64	36.0	20	50	20	44.81	32	13.4	4.0
CHSA2-4-32		32	131.6	128	32.0	20	80	20	20.42	24	10.0	8.0
CHSA2-4.5-16	4.5	16	80.1	72	39.5	22	60	20	51.00	35	15.4	4.5
CHSA2-4.5-32		32	148.0	144	36.0	22	90	25	23.21	27	10.0	9.0
CHSA2-5-16	5	16	88.9	80	50.0	25	60	20	56.06	45	21.1	5.0
CHSA2-5-32		32	164.5	160	38.0	25	100	25	25.52	28	10.0	10.0

型号	模数	齿数	De	Dp	H	F	d	D	V	L	Lm	S
CHSA3-1.5-16	1.5	16	26.9	24	22.0	12	20	10	24.44	21.0	9.8	1.0
CHSA3-1.5-48		48	72.9	72	20.0	12	50	15	7.27	17.0	10.0	3.0
CHSA3-2-16	2	16	35.8	32	28.5	15	26	12	33.26	27.0	12.7	1.5
CHSA3-2-48		48	97.3	96	23.0	15	60	15	9.90	19.0	10.0	4.0
CHSA3-2.5-16	2.5	16	44.7	40	32.0	18	32	12	42.41	30.0	13.0	2.0
CHSA3-2.5-48		48	121.6	120	26.6	18	70	20	13.23	21.0	10.0	5.0
CHSA3-3-16	3	16	53.7	48	32.0	18	40	15	54.25	30.0	12.1	2.0
CHSA3-3-48		48	145.9	144	29.0	18	80	20	16.20	23.0	10.0	6.0
CHSA3-3.5-16	3.5	16	62.6	56	38.0	22	48	15	62.29	35.5	15.0	2.5
CHSA3-3.5-48		48	170.2	168	31.0	22	90	20	18.48	24.0	10.0	7.0
CHSA3-4-16	4	16	71.6	64	41.5	25	55	20	71.23	38.5	15.2	3.0
CHSA3-4-48		48	194.5	192	33.0	25	100	22	21.20	25.0	10.0	8.0
CHSA3-4.5-16	4.5	16	80.6	72	53.0	28	60	20	80.27	50.0	23.4	3.0
CHSA3-4.5-48		48	218.6	216	49.0	28	100	25	23.93	40.0	18.0	9.0
CHSA3-5-16	5	16	89.5	80	60.0	35	60	20	85.61	57.0	22.5	3.0
CHSA3-5-48		48	243.1	240	50.0	35	150	28	25.45	40.0	20.0	10.0

型号	模数	齿数	De	Dp	H	F	d	D	V	L	Lm	S
CHSA4-1.5-16	1.5	16	26.9	24	25.0	12	18	10	36.02	24.0	12.2	1.0
CHSA4-1.5-64		64	96.7	96	22.5	12	70	15	8.53	19.0	10.0	3.0
CHSA4-2-16	2	16	35.9	32	24.0	15	25	12	49.07	23.0	82.0	1.0
CHSA4-2-64		64	129	128	25.0	15	80	20	11.79	20.0	10.0	4.0
CHSA4-2.5-16	2.5	16	44.9	40	30.5	18	30	15	61.99	29.0	11.2	1.5
CHSA4-2.5-64		64	161.2	160	29.0	18	90	20	13.77	24.0	10.0	5.0
CHSA4-3-16	3	16	53.8	48	34.0	22	40	15	74.05	32.0	11.0	2.0
CHSA4-3-64		64	193.5	192	30.0	22	100	20	16.41	24.0	10.0	6.0
CHSA4-3.5-16	3.5	16	62.8	56	45.0	25	48	15	87.13	43.0	19.1	2.0
CHSA4-3.5-64		64	225.7	224	50.0	25	100	25	19.32	43.0	22.0	7.0
CHSA4-4-16	4	16	71.7	64	50.0	30	50	20	98.21	48.0	18.5	2.0
CHSA4-4-64		64	257.9	256	50.0	30	120	28	21.72	42.0	20.0	8.0
CHSA4-4.5-16	4.5	16	80.7	72	53.0	32	55	20	112.08	50.5	19.0	2.5
CHSA4-4.5-64		64	290.1	288	53.0	32	130	30	24.83	44.0	23.0	9.0
CHSA4-5-16	5	16	89.7	80	58.0	35	60	20	125.06	55.5	20.6	2.5
CHSA4-5-64		64	322.4	320	58.0	35	150	30	27.65	48.0	25.0	10.0

伞型齿轮技术参数

型号定义：

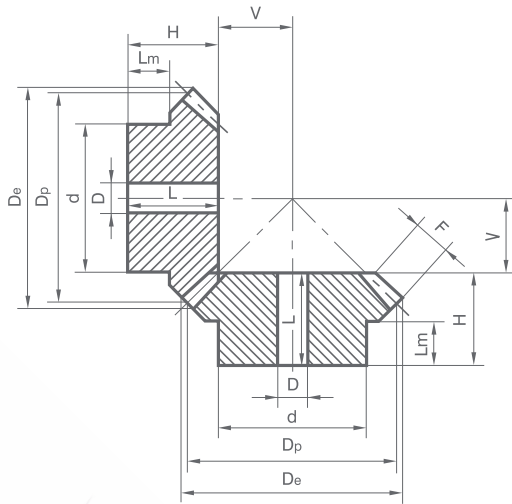
CHSB 1 - 1.5 - 16

齿数

模数

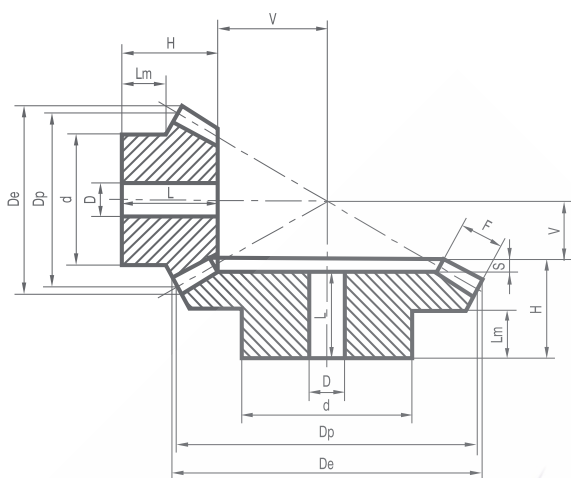
齿数比

齿轮类型：CHSA或CHSB

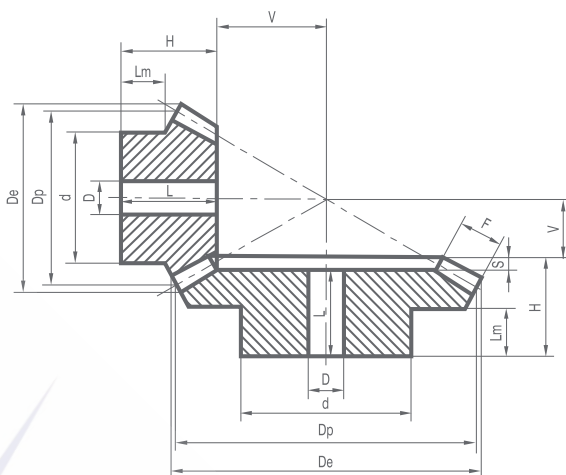


型号	模数	齿数	De	Dp	H	F	d	D	V	Lm
CHSB1-1.5-16	1.5	16	26.1	24.0	18.9	6.0	20.3	8	7.1	12
CHSB1-1.5-19		19	30.6	28.5	21.3	7.0	20.3	8	8.7	12
CHSB1-1.5-22		22	35.1	33.0	22.5	7.5	25.3	8	10.5	12
CHSB1-1.5-26		26	41.1	39.0	23.2	8.5	28.3	8	12.8	12
CHSB1-1.5-30		30	47.1	45.0	27.2	10.0	30.3	12	14.8	12
CHSB1-2-16	2	16	34.8	32.0	23.5	8.0	25.3	8	9.5	14
CHSB1-2-19		19	40.8	38.0	24.2	9.0	25.3	8	11.8	12
CHSB1-2-22		22	46.8	44.0	27.9	10.0	30.3	12	14.1	14
CHSB1-2-26		26	54.8	52.0	31.4	12.0	35.3	12	16.6	14
CHSB1-2-30		30	62.8	60.0	34.1	13.0	40.3	14	19.9	17
CHSB1-2.5-16	2.5	16	43.5	40.0	28.1	10.0	30.3	12	11.9	15
CHSB1-2.5-19		19	51.0	47.5	27.1	11.0	35.3	12	14.9	13
CHSB1-2.5-22		22	58.5	55.0	30.1	12.0	45.3	16	17.9	16
CHSB1-2.5-26		26	68.5	65.0	33.2	15.0	45.3	16	20.8	16
CHSB1-2.5-30		30	78.5	75.0	39.0	16.0	50.3	16	25.0	20
CHSB1-3-16	3	16	52.5	48.0	31.7	12.0	40.3	12	14.3	18
CHSB1-3-19		19	61.2	57.0	36.0	13.0	40.3	14	18.0	17
CHSB1-3-22		22	70.2	66.0	36.9	15.0	50.3	16	21.1	17
CHSB1-3-26		26	82.2	78.0	38.4	17.0	50.3	16	25.6	18
CHSB1-3-30		30	94.2	90.0	43.8	19.0	60.3	20	30.2	22
CHSB1-3.5-16	3.5	16	60.9	56.0	36.4	14.0	45.3	16	16.6	20
CHSB1-3.5-19		19	71.5	66.5	37.8	15.0	50.3	18	21.0	19
CHSB1-3.5-22		22	81.9	77.0	39.1	17.0	55.3	20	24.9	18
CHSB1-3.5-26		26	96.0	91.0	43.4	20.0	62.3	20	29.7	20
CHSB1-3.5-30		30	110.0	105.0	47.1	23.0	70.3	20	34.9	22
CHSB1-4-16	4	16	69.7	64.0	44.3	15.0	50.3	16	19.7	25
CHSB1-4-19		19	81.7	76.0	44.4	18.0	55.3	20	23.6	22
CHSB1-4-22		22	93.7	88.0	45.9	20.0	60.3	20	28.1	22
CHSB1-4-26		26	109.7	104.0	48.0	25.0	70.3	20	34.0	22
CHSB1-4-30		30	125.7	120.0	54.2	26.0	80.3	25	39.8	25
CHSB1-4.5-16	4.5	16	78.4	72.0	46.3	17.5	55.3	20	21.7	25
CHSB1-4.5-19		19	91.8	85.5	49.0	20.0	62.3	20	26.6	25
CHSB1-4.5-22		22	105.3	99.0	50.1	22.0	70.3	20	31.9	25
CHSB1-4.5-26		26	123.0	117.0	54.7	25.0	75.3	20	38.6	26
CHSB1-4.5-30		30	141.4	135.0	60.0	29.0	80.3	25	45.0	28
CHSB1-5-16	5	16	87.1	80.0	48.9	18.0	60.3	20	25.1	25
CHSB1-5-19		19	102.1	95.0	52.2	22.0	60.3	20	29.8	25
CHSB1-5-22		22	117.1	110.0	58.2	24.0	80.3	25	35.8	30
CHSB1-5-26		26	137.1	130.0	62.7	29.0	80.3	25	42.3	30
CHSB1-5-30		30	157.1	150.0	68.9	32.0	80.3	30	50.1	35

伞型齿轮技术参数



CHSB1.5型

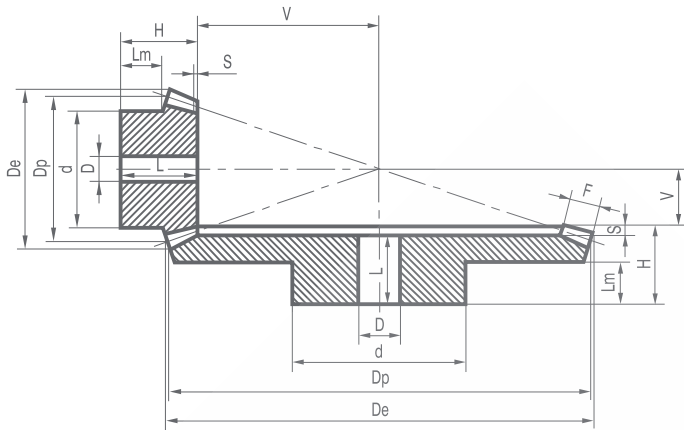


CHSB2型

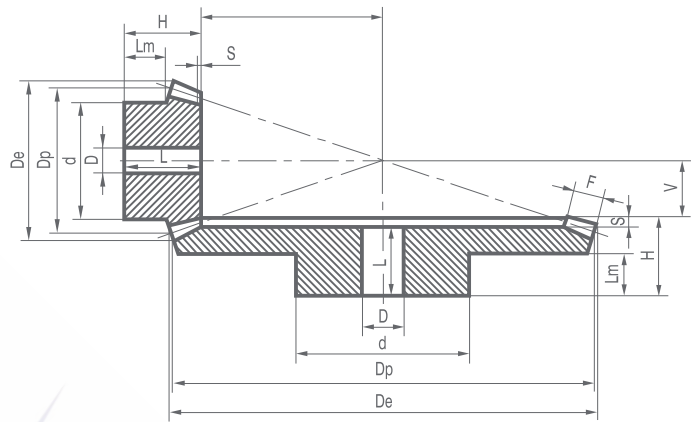
型号	模数	齿数	De	Dp	H	F	d	D	V	L	Lm	S
CHSB1.5-1.5-16	1.5	16	27.1	24	20.3	8.0	20.3	8	10.7		11.8	
CHSB1.5-1.5-24		24	37.2	36	24.9	8.0	28.3	8	7.1	22.7	16.0	2.2
CHSB1.5-2-16	2	16	36.2	32	25.2	10.0	25.3	8	14.8		13.8	
CHSB1.5-2-24		24	49.7	48	27.2	10.0	32.3	8	9.8	24.7	16.0	2.5
CHSB1.5-2.5-16	2.5	16	45.2	40	30.8	13.0	32.3	12	18.2		16.4	
CHSB1.5-2.5-24		24	62.1	60	34.0	13.0	45.3	16	12.0	30.8	20.0	3.2
CHSB1.5-3-16	3	16	54.3	48	32.4	14.5	40.3	12	22.6		16.4	
CHSB1.5-3-24		24	74.5	72	36.2	14.5	55.3	16	14.8	32.0	20.0	4.2
CHSB1.5-3.5-16	3.5	16	63.3	56	40.4	18.0	45.3	16	25.6		20.4	
CHSB1.5-3.5-24		24	86.9	84	44.2	18.0	55.3	20	16.8	40.0	25.0	4.2
CHSB1.5-4-16	4	16	72.4	64	46.8	18.0	50.3	16	31.2		25.4	
CHSB1.5-4-24		24	99.3	96	45.5	18.0	60.3	20	20.5	40.0	25.0	5.5
CHSB1.5-4.5-16	4.5	16	81.4	72	47.6	20.0	60.3	20	35.4		25.1	
CHSB1.5-4.5-24		24	111.7	108	57.8	20.0	80.3	25	23.2	51.3	35.0	6.5
CHSB1.5-5-16	5	16	90.5	80	54.1	24.0	60.3	25	37.9		25.4	
CHSB1.5-5-24		24	124.1	120	61.1	24.0	80.3	30	24.9	54.5	35.0	6.6

型号	模数	齿数	De	Dp	H	F	d	D	V	L	Lm	S
CHSB2-1.5-15	1.5	15	26.1	22.5	21.1	9.0	19.3	8	13.9		11.9	
CHSB2-1.5-30		30	45.9	45.0	25.2	9.0	32.3	8	6.8	23.0	16.0	2.2
CHSB2-2-15	2	15	34.8	30.0	26.0	11.5	25.3	8	19.0		14.1	
CHSB2-2-30		30	61.2	60.0	29.8	11.5	40.3	14	9.2	26.8	18.0	3.0
CHSB2-2.5-15	2.5	15	43.5	37.5	31.8	15.0	32.3	12	23.2		16.2	
CHSB2-2.5-30		30	76.5	75.0	33.7	15.0	45.3	16	11.3	30.0	20.0	3.7
CHSB2-3-15	3	15	52.2	45.0	37.3	17.0	40.3	12	28.7		19.9	
CHSB2-3-30		30	91.8	90.0	42.1	17.0	55.3	16	13.9	38.0	25.0	4.1
CHSB2-3.5-15	3.5	15	60.9	52.5	46.1	20.5	45.3	16	32.9		24.7	
CHSB2-3.5-30		30	107.1	105.0	45.0	20.5	60.3	20	16.0	40.0	25.0	5.0
CHSB2-4-15	4	15	69.6	60.0	48.6	22.5	50.3	20	38.4		24.6	
CHSB2-4-30		30	122.3	120.0	57.3	22.5	80.3	25	18.7	51.9	35.0	5.4
CHSB2-4.5-15	4.5	15	78.3	67.5	51.4	26.0	60.3	20	42.6		24.7	
CHSB2-4.5-30		30	137.6	135.0	60.3	26.0	80.3	30	20.7	54.3	35.0	6.0
CHSB2-5-15	5	15	87.0	75.0	57.6	30.0	60.3	25	46.4		25.3	
CHSB2-5-30		30	152.9	150.0	62.5	30.0	80.3	30	22.5	56.0	35.0	6.5

伞型齿轮技术参数



CHSB2.5型

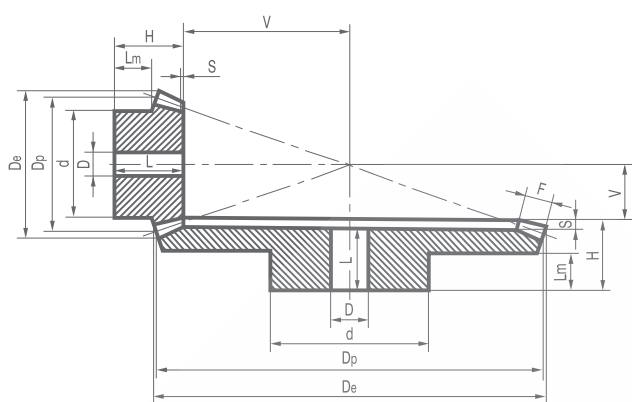


CHSB3型

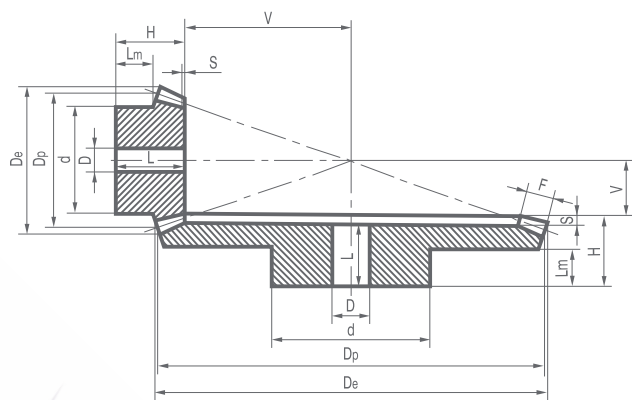
型号	模数	齿数	De	Dp	H	F	d	D	V	L	Lm	S
CHSB2.5-1.5-16	1.5	16	27.9	24	24.2	11.5	20.3	8	18.8		12.3	
CHSB2.5-1.5-40		40	60.7	60	27.8	11.5	40.3	14	72.0	25.5	18.0	2.3
CHSB2.5-2-16	2	16	37.2	32	29.6	15	25.3	8	25.4		13.7	
CHSB2.5-2-40		40	80.9	80	32.4	15	45.3	16	9.6	29.0	20.0	3.4
CHSB2.5-2.5-16	2.5	16	46.4	40	38.4	19	32.3	12	31.6		18.5	
CHSB2.5-2.5-40		40	101.1	100	39.8	19	55.3	16	12.2	35.9	25.0	3.9
CHSB2.5-3-16	3	16	55.7	48	41.9	21.5	40.3	16	39.1		19.6	
CHSB2.5-3-40		40	121.4	120	47.9	21.5	60.3	20	15.1	44.0	30.0	3.9
CHSB2.5-3.5-16	3.5	16	65.0	56	49.1	22.6	45.3	20	47.9		25.0	
CHSB2.5-3.5-40		40	141.6	140	54.6	22.6	80.3	25	18.4	50.0	35.0	4.6
CHSB2.5-4-16	4	16	74.3	64	52.5	26	55.3	20	54.5		25.3	
CHSB2.5-4-40		40	161.8	160	57.0	26	80.3	30	21.0	50.5	35.0	6.5
CHSB2.5-4.5-16	4.5	16	83.6	72	56.3	30	60.3	25	60.7		24.6	
CHSB2.5-4.5-40		40	182.1	180	59.7	30	80.3	30	23.3	53.0	35.0	6.7
CHSB2.5-5-16	5	16	92.9	80	65.4	32	60.3	25	68.6		30.1	
CHSB2.5-5-40		40	202.3	200	65.7	32	90.3	30	26.3	58.3	40.0	7.4

型号	模数	齿数	De	Dp	H	F	d	D	V	L	Lm	S
CHSB3-1.5-15	1.5	15	26.5	22.5	22.6	10.5	19.3	8	23.4		11.7	
CHSB3-1.5-45		45	68.1	67.5	29.6	10.5	45.3	14	7.4	27.2	20.0	2.4
CHSB3-2-15	2	15	35.4	30.0	28.9	14.0	25.3	8	31.1		14.2	
CHSB3-2-45		45	90.8	90.0	32.1	14.0	45.3	16	9.9	28.4	20.0	3.7
CHSB3-2.5-15	2.5	15	44.1	37.5	34.6	18.0	32.3	12	38.4		15.9	
CHSB3-2.5-45		45	113.4	112.5	39.7	18.0	60.3	20	12.3	35.3	25.0	4.4
CHSB3-3-15	3	15	53.0	45.0	41.3	21.0	40.3	16	46.7		19.7	
CHSB3-3-45		45	136.1	135.0	47.2	21.0	60.3	25	14.8	42.0	30.0	5.2
CHSB3-3.5-15	3.5	15	61.9	52.5	49.6	23.5	45.3	20	55.4		25.0	
CHSB3-3.5-45		45	158.8	157.5	54.4	23.5	80.3	25	17.6	48.6	35.0	5.8
CHSB3-4-15	4	15	70.7	60.0	54.3	27.5	50.3	20	62.7		25.4	
CHSB3-4-45		45	181.5	180.0	57.0	27.5	80.3	30	20.0	50.5	35.0	6.5
CHSB3-4.5-15	4.5	15	79.5	67.5	55.2	28.5	55.3	25	72.8		24.8	
CHSB3-4.5-45		45	204.2	202.5	63.9	28.5	90.3	30	23.1	57.0	40.0	6.9
CHSB3-5-15	5	15	88.4	75.0	65.3	33.0	60.3	25	79.7		30.0	
CHSB3-5-45		45	226.9	225.0	66.7	33.0	90.3	30	25.3	59.2	40.0	7.5

伞型齿轮技术参数



CHSB3.5型

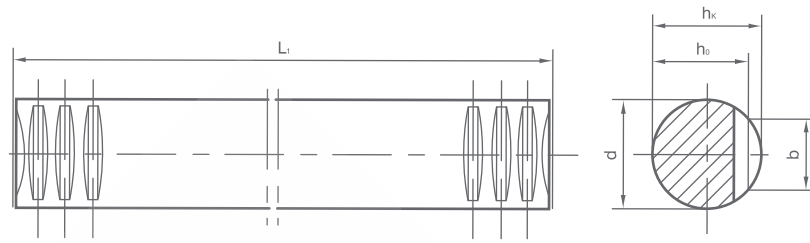


CHSB4型

型号	模数	齿数	De	Dp	H	F	d	D	V	L	Lm	S
CHSB3.5-1.5-16	1.5	16	28.1	24	24.0	12	20.3	8	30.0		11.5	
CHSB3.5-1.5-56		56	84.5	84	34.8	12	45.3	14	8.2	32.0	25.0	2.8
CHSB3.5-2-16	2	16	37.5	32	30.9	16	25.3	8	40.1		14.1	
CHSB3.5-2-56		56	112.6	12	37.1	16	55.3	16	10.9	33.3	25.0	3.8
CHSB3.5-2.5-16	2.5	16	46.8	40	38.9	20	32.3	14	50.1		17.9	
CHSB3.5-2.5-56		56	140.8	140	44.4	20	60.3	20	13.6	40.0	30.0	4.4
CHSB3.5-3-16	3	16	56.2	48	49.9	24	40.3	16	60.1		24.9	
CHSB3.5-3-56		56	169.0	168	52.7	24	80.3	25	16.3	47.5	35.0	5.2
CHSB3.5-3.5-16	3.5	16	65.6	56	52.0	25	45.3	20	73.0		25.5	
CHSB3.5-3.5-56		56	197.1	196	55.1	25	80.3	25	19.9	49.1	35.0	6.0

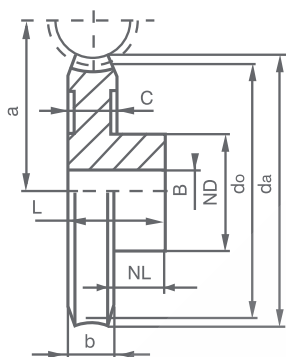
型号	模数	齿数	De	Dp	H	F	d	D	V	L	Lm	S
CHSB4-1.5-15	1.5	15	26.7	22.5	23.0	11	20.3	8	34.0		11.7	
CHSB4-1.5-60		60	90.4	90.0	34.0	11	50.3	16	8.0	31.2	25.0	2.8
CHSB4-2-15	2	15	35.6	30.0	31.0	16	25.3	8	44.0		14.4	
CHSB4-2-60		60	120.6	120.0	37.6	16	60.3	16	10.4	34.2	25.0	3.4
CHSB4-2.5-15	2.5	15	44.5	37.5	38.1	19	32.3	14	55.9		18.4	
CHSB4-2.5-60		60	150.7	150.0	44.8	19	60.3	20	13.2	40.0	30.0	4.8
CHSB4-3-15	3	15	53.3	45.0	48.1	23	40.3	16	66.9		24.5	
CHSB4-3-60		60	180.8	180.0	53.2	23	80.3	25	15.8	48.2	35.0	5.0
CHSB4-3.5-15	3.5	15	62.2	52.5	52.1	26	45.3	20	78.9		25.1	
CHSB4-3.5-60		60	211.0	210.0	60.4	26	90.3	30	18.6	54.4	40.0	6.0
CHSB4-4-15	4	15	71.1	60.0	55.1	30	50.3	20	89.9		23.0	
CHSB4-4-60		60	241.1	240.0	60.8	30	90.3	30	21.2	53.0	40.0	7.8
CHSB4-4.5-15	4.5	15	80.0	67.5	57.0	32	52.3	20	102.9		23.0	
CHSB4-4.5-60		60	271.2	270.0	62.0	32	90.3	30	24.3	53.5	40.0	8.5
CHSB4-5-15	5	15	88.8	75.0	62.0	34	55.3	20	115.7		25.0	
CHSB4-5-60		60	301.3	300.0	65.0	34	90.3	30	27.0	55.0	40.0	10.0

圆型齿条技术参数

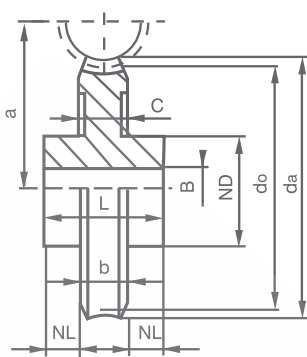


型号	模数	长度 L1	Ød h11	b	hk	ho	重量 kg
CHS01-250	1	251.3	15	7.5	15	14.0	0.34
CHS01-500		499.5	15	7.5	15	14.0	0.66
CHS01-1000		999.0	15	7.5	15	14.0	1.35
CHS01.5-250	1.5	249.8	17	9.6	17	15.5	0.42
CHS01.5-500		499.5	17	9.6	17	15.5	0.84
CHS01.5-1000		999.0	17	9.6	17	15.5	1.70
CHS02-250	2	251.3	20	12.0	20	18.0	0.55
CHS02-500		502.7	20	12.0	20	18.0	1.10
CHS02-1000		999.0	20	12.0	20	18.0	2.20
CHS02.5-250	2.5	251.3	25	15.0	25	22.5	0.90
CHS02.5-500		502.7	25	15.0	25	22.5	1.80
CHS02.5-1000		997.5	25	15.0	25	22.5	3.60
CHS03-250	3	254.5	30	18.0	30	27.0	1.30
CHS03-500		499.5	30	18.0	30	27.0	2.50
CHS03-1000		999.0	30	18.0	30	27.0	5.10
CHS04-250	4	251.3	40	24.0	40	36.0	2.30
CHS04-500		502.6	40	24.0	40	36.0	4.50
CHS04-1000		1005.3	40	24.0	40	36.0	9.10
CHS05-250	5	251.3	50	30.0	50	45.0	3.80
CHS05-500		502.6	50	30.0	50	45.0	7.10
CHS05-1000		1005.3	50	30.0	50	45.0	14.30

蜗轮技术参数



图型1

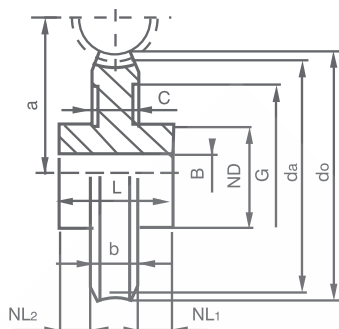


图型2



型号	模数	齿数	图型	减速比	do	da	ND	NL	L	G	C	a	B H7	重量 Kg
CHSW1-16	1 b=6.5	16	1	16:1	16	18.8	12	8	14.5			15	5	0.02
CHSW1-18		18	1	18:1	18	20.8	12	8	14.5			16	5	0.02
CHSW1-20		20	1	20:1	20	22.8	16	8	14.5			17	5	0.03
CHSW1-25		25	1	25:1	25	27.8	16	8	14.5			19.5	5	0.04
CHSW1-35		35	1	35:1	35	37.8	16	10	16.5			24.5	6	0.07
CHSW1-50		50	1	50:1	50	52.8	20	10	16.5			32	6	0.14
CHSW1-75		75	1	75:1	75	77.8	30	10	16.5		4.5	44.5	6	0.20
CHSW1-100		100	1	100:1	100	102.8	30	12	18.5		1.5	57	6	0.48
CHSW1-125		125	1	125:1	125	127.8	40	12	18.5		4.5	69.5	8	0.58
CHSW1-150		150	1	150:1	150	152.8	40	12	18.5		4.5	82	8	0.59
CHSW1.5-16	1.5 b=12	16	2	16:1	24	28.4	18	6	24			24.5	8	0.06
CHSW1.5-18		18	2	18:1	27	31.7	20	8	28			26	8	0.08
CHSW1.5-20		20	2	20:1	30	34.7	25	8	28			27.5	10	0.13
CHSW1.5-30		30	2	30:1	45	49.7	30	8	28			35	10	0.26
CHSW1.5-40		40	2	40:1	60	64.7	30	10	32			42.5	10	0.40
CHSW1.5-50		50	2	50:1	75	79.7	30	10	32		10	50	10	0.44
CHSW1.5-75		75	2	75:1	112.5	117.2	40	10	32		10	68.75	12	0.86
CHSW1.5-100		100	2	100:1	150	154.7	45	10	32		10	87.5	12	1.30
CHSW2-16	2 b=14	16	2	16:1	32	37.6	20	8	30			32	8	0.14
CHSW2-18		18	2	18:1	36	41.6	25	8	30			34	10	0.25
CHSW2-20		20	2	20:1	40	45.6	30	10	34			36	12	0.55
CHSW2-30		30	2	30:1	60	65.6	40	10	34			46	12	0.60
CHSW2-40		40	2	40:1	80	85.6	40	10	34		11	56	12	0.65
CHSW2-50		50	2	50:1	100	105.6	40	10	34		11	66	12	0.76
CHSW2-60		60	2	60:1	120	125.6	50	10	34		11	126	12	1.20

蜗轮技术参数

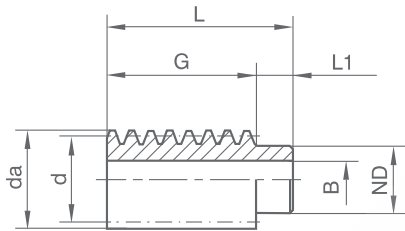


图型3

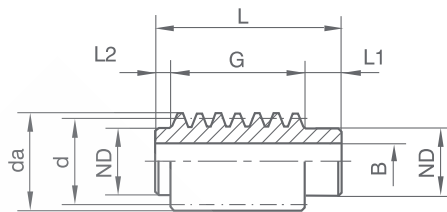


型号	模数	齿数	图型	减速比	do	da	ND	NL1/NL2	L	G	C	a	B H7	重量 Kg	
CHSW3-16	3	16	3	16:1	48	57	40	18/4	46			43	15	0.46	
CHSW3-18		18	3	18:1	54	63	40	18/4	46			46	15	0.55	
CHSW3-20		20	3	20:1	60	69	40	18/4	46				49	15	0.64
CHSW3-26		26	3	26:1	78	87	45	18/4	46	60	12	58	18	1.20	
CHSW3-32		32	3	32:1	96	105	50	18/4	46	70	12	67	20	1.40	
CHSW3-40		40	3	40:1	120	129	65	18/4	46	90	12	79	25	2.20	
CHSW3-52		52	3	52:1	147	156	75	23/4	51	110	12	97	30	3.40	
CHSW3-65		65	3	65:1	195	204	85	23/4	51	150	12	116.5	35	4.90	
CHSW4-16	4	16	3	16:1	64	76	50	21/5	60			57	20	1.00	
CHSW4-18		18	3	18:1	72	84	50	21/5	60			67	20	1.50	
CHSW4-20		20	3	20:1	80	92	50	21/5	60			65	20	1.60	
CHSW4-26		26	3	26:1	104	116	55	21/5	60	80	14	77	22	2.10	
CHSW4-32		32	3	32:1	128	140	65	21/5	60	90	14	89	25	3.40	
CHSW4-40		40	3	40:1	160	172	75	21/5	60	125	14	105	30	4.50	
CHSW4-52		52	3	52:1	208	220	85	26/5	65	175	14	129	35	6.70	
CHSW4-65		65	3	65:1	260	272	100	26/5	65	225	14	155	40	9.50	
CHSW5-16	5	16	3	16:1	80	95	70	27/5	72			71	20	2.30	
CHSW5-18		18	3	18:1	90	105	70	27/5	72			76	20	2.60	
CHSW5-20		20	3	20:1	100	115	70	27/5	72			81	25	3.00	
CHSW5-26		26	3	26:1	130	145	70	27/5	72	99	16	96	28	4.20	
CHSW5-32		32	3	32:1	160	175	75	27/5	72	125	16	111	30	5.30	
CHSW5-40		40	3	40:1	200	215	85	27/5	72	160	16	131	35	7.40	
CHSW5-52		52	3	52:1	260	275	100	32/5	77	220	16	161	40	11.80	
CHSW5-65		65	3	65:1	325	340	115	32/5	77	280	16	193.5	45	17.00	
CHSW6-16	6	16	3	16:1	96	114	70	20/5	65			88	25	4.90	
CHSW6-18		18	3	18:1	108	126	70	20/5	65			94	25	5.85	
CHSW6-20		20	3	20:1	120	138	75	20/5	65			100	25	7.11	
CHSW6-25		25	3	25:1	150	168	75	25/5	70	120	16	115	30	8.95	
CHSW6-30		30	3	30:1	180	198	80	25/5	70	140	16	130	30	12.70	
CHSW6-40		40	3	40:1	240	258	85	30/5	75	200	16	160	30	17.85	
CHSW6-50		50	3	50:1	300	318	90	30/5	75	260	16	190	30	26.31	
CHSW6-60		60	3	60:1	360	378	90	30/5	75	320	16	220	30	39.70	

蜗杆技术参数



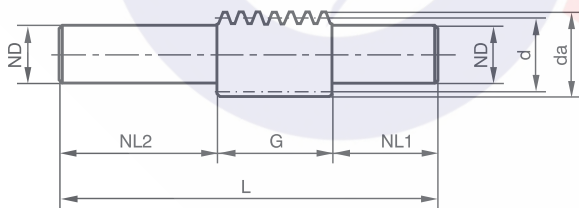
图型1



图型2

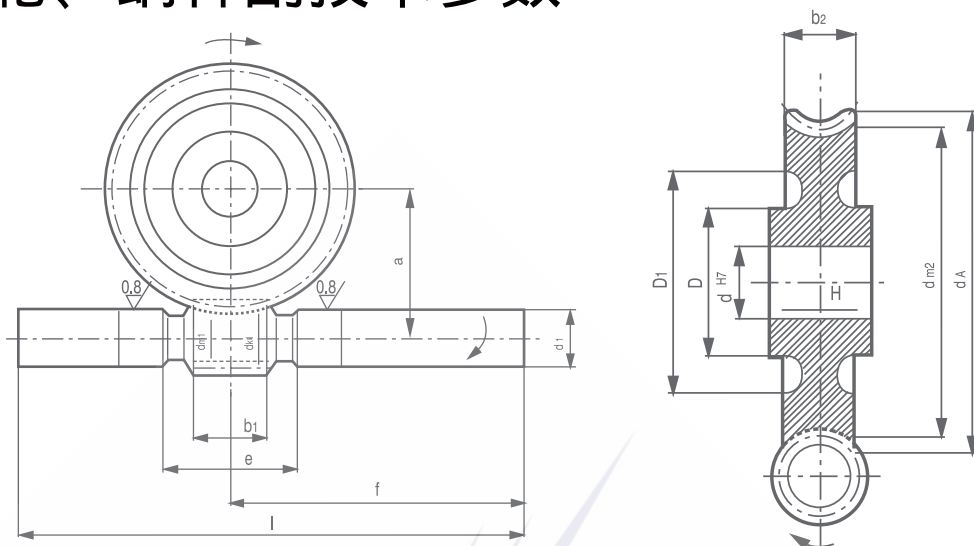


型号	模数	图型	d	da	ND	L1	L2	G	L	B	重量 kg
CHSG1	1	1	14	16	11	6		24	30	6	0.12
CHSG1.5	1.5	1	25	28	21	10		40	50	8	0.16
CHSG2	2	1	32	36	25	10		45	55	8	0.30
CHSG3	3	2	38	44	30	12	3	46	61	15	0.40
CHSG4	4	2	50	58	40	15	4	62	81	20	1.20
CHSG5	5	2	62	72	50	18	5	80	103	25	1.80
CHSG6	6	2	80	92	65	20	20	80	120	25	3.60



型号	模数	d	da	ND	NL1	G	NL2	L	重量 kg
CHSSL1	1	14	16	10	30	24	22	74	0.06
CHSSL1.5	1.5	25	28	20	40	40	30	110	0.30
CHSSL2	2	32	36	25	50	45	36	131	0.62
CHSSL3	3	38	44	30	130	46	90	266	1.60
CHSSL4	4	50	58	40	175	62	120	357	3.80
CHSSL5	5	62	72	50	220	80	150	450	7.60
CHSSL6	6	80	92	65	220	80	150	450	12.80

蜗轮、蜗杆副技术参数

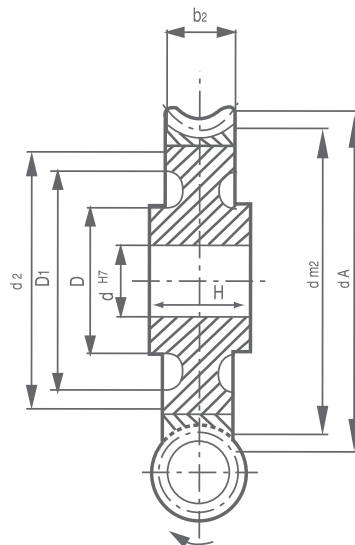
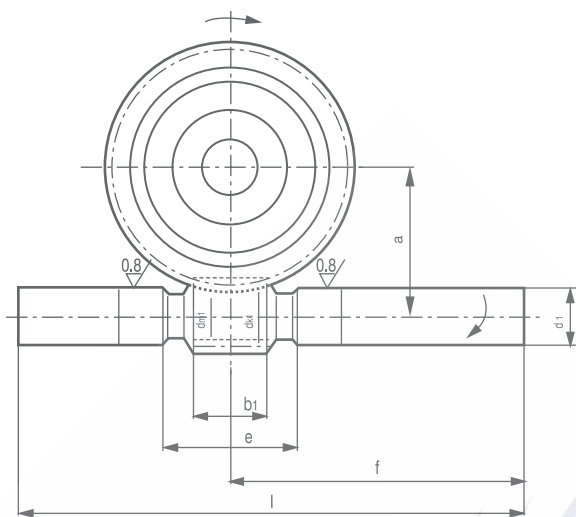


型号	模数	速比	a	蜗杆										蜗轮						重量 Kg
				头数	dm1	dk1	d1	b1	e	f	i	齿数	dm2	dA	b2	H	D	D1	dH7	
CHSF40-1-1	1	62:1	40	1	18	20	17.5	25	50	100	150	62	62	65	12	25	40		15	0.69
CHSF40-1.25-1	1.25	50:1	40	1	17.5	20	17.5	25	50	100	150	50	62.5	66.3	12	25	40		15	0.69
CHSF40-1.5-1	1.5	41:1	40	1	17	20	17.5	25	50	100	150	41	63	67.5	12	25	40		15	0.68
CHSF40-1.5-2		20.5:1	40	2	1.7	20	17.5	25	50	100	150	41	63	67.5	12	25	40		15	0.68
CHSF40-2-1	2	29:1	40	1	20	24	17.5	28	50	100	150	29	60	66	14	25	40		15	0.71
CHSF40-2-2		15:1	40	2	16	20	17.5	25	50	100	150	30	64	70	14	25	40		15	0.72
CHSF40-2-4		6.75:1	40	4	16	20	17.5	25	50	100	150	27	64	70	14	25	40		15	0.72
CHSF40-2.5-2	2.5	12:1	40	2	19.5	24.5	17.5	30	50	100	150	24	60.5	68	16	25	40		15	0.73

型号	模数	速比	a	蜗杆										蜗轮						重量 Kg
				头数	dm1	dk1	d1	b1	e	f	i	齿数	dm2	dA	b2	H	D	D1	dH7	
CHSF50-1-1	1	82:1	50	1	17	19	17.5	25	50	115	180	82	83	86	12	30	50	61	20	1.00
CHSF50-1.25-1	1.25	62:1	50	1	23.4	24.9	20.5	25	50	115	180	62	77.6	81	15	30	50		20	1.20
CHSF50-1.5-1	1.5	52:1	50	1	21	24	20.5	28	60	115	180	52	79	83.5	14	30	50	66	20	1.20
CHSF50-1.5-2		26:1	50	2	21	24	20.5	28	60	115	180	52	79.3	82.4	14	30	50	66	20	1.20
CHSF50-2-1	2	38:1	50	1	22.4	26.4	20.5	32	60	115	180	38	77.6	84	18	30	50	71.5	20	1.20
CHSF50-2-2		19:1	50	2	22.4	26.4	20.5	32	60	115	180	38	77.6	84	18	30	50	71.5	20	1.20
CHSF50-2-4		9:1	50	4	22.4	26.4	20.5	32	60	115	180	36	77.6	84	18	30	50	71.5	20	1.15
CHSF50-2.5-1	2.5	29:1	50	1	26.5	31.5	20.5	36	60	115	180	39	73.5	81	20	30	50		20	1.30
CHSF50-2.5-2		14:1	50	2	26.5	31.5	20.5	36	60	115	180	28	73.5	81	20	30	50		20	1.30
CHSF50-2.5-4		6.75:1	50	4	26.5	31.5	20.5	36	60	115	180	27	73.5	81	20	30	50		20	1.45
CHSF50-3-2	3	12:1	50	2	25.5	31.5	20.5	38	60	115	180	24	74.5	83.5	18	30	50	71.5	20	1.30

型号	模数	速比	a	蜗杆										蜗轮						重量 Kg
				头数	dm1	dk1	d1	b1	e	f	i	齿数	dm2	dA	b2	H	D	D1	dH7	
CHSF63-1-1	1	109:1	63	1	17	19	20.5	28	60	130	210	109	109	112	13	35	60	91	25	1.70
CHSF63-1.25-1	1.25	82:1	63	1	22.4	24.9	20.5	28	60	130	210	82	103	109	15	35	60	87	25	1.65
CHSF63-1.6-1	1.6	61:1	63	1	28	31.2	25.5	32	60	120	210	61	98	103	18	35	60	83	25	2.05
CHSF63-2-1	2	51:1	63	1	27.4	26.4	25.5	36	75	130	210	51	103.6	110	18	35	60	86	25	2.10
CHSF63-2-2		25.5:1	63	2	22.4	26.4	25.5	36	75	130	210	51	103.6	110	18	35	60	86	25	2.10
CHSF63-2-4		12.25:1	63	4	22.4	26.4	25.5	36	75	130	210	49	103.6	110	18	35	60	86	25	2.00
CHSF63-2.5-1	2.5	39:1	63	1	26.5	31.5	25.5	40	75	130	210	39	99.5	107	20	35	60	81	25	2.20
CHSF63-2.5-2		19.5:1	63	2	26.5	31.5	25.5	40	75	130	210	39	99.5	107	20	35	60	81	25	2.15
CHSF63-2.5-4		9.25:1	63	4	26.5	31.5	25.5	40	75	130	210	37	99.5	107	20	35	60	81	25	2.20
CHSF63-3.15-1	3.15	29:1	63	1	33.5	39.8	25.5	45	75	130	210	29	92.5	102	26	35	60	79	25	2.30
CHSF63-3.15-2		14.5:1	63	2	33.5	39.8	28.5	45	75	130	210	29	92.5	102	26	35	60	79	25	2.30
CHSF63-3.15-4		6.75:1	63	4	33.5	39.8	25.5	45	75	130	210	27	92.5	102	26	35	60	79	25	2.30

蜗轮、蜗杆副技术参数



型号	模数	速比	a	蜗杆								蜗轮								重量 Kg	
				头数	dm1	dk1	d1	b1	e	f	i	齿数	dm2	dA	b2	d2	H	D	D1		dH7
CHSF80-1-1	1.25	109:1	80	1	22.4	24.9	25.5	34	70	170	270	109	137.6	141	16	119	50	70	95	30	3.15
CHSF80-1.6-1	1.6	82:1	80	1	28.0	31.2	30.5	38	80	170	270	82	132.0	137	20	110	50	70	87	30	3.80
CHSF80-2-1	2	62:1	80	1	35.5	39.5	30.5	40	80	170	270	62	124.5	131	22	104	50	70	85	30	3.90
CHSF80-2.5-1	2.5	53:1	80	1	26.5	31.5	30.5	46	95	170	270	53	133.5	141	22	109	50	70	87	30	3.80
CHSF80-2.5-2		26:1	80	2	26.5	31.5	30.5	46	95	170	270	52	133.5	141	22	109	50	70	87	30	3.85
CHSF80-2.5-4		12.25:1	80	4	26.5	31.5	30.5	46	95	170	270	49	133.5	141	32	109	50	70	87	30	3.95
CHSF80-3.15-1	3.15	40:1	80	1	33.5	39.8	30.5	50	95	170	270	40	126.5	136	26	100	50	70	80	30	4.10
CHSF80-3.15-2		19.5:1	80	2	33.5	39.8	30.5	50	95	170	270	39	126.5	136	26	100	50	70	80	30	4.15
CHSF80-3.15-4		9.25:1	80	4	33.5	39.8	30.5	50	95	170	270	37	126.5	136	26	100	50	70	80	30	4.25
CHSF80-4-1	4	29:1	80	1	40.0	48.0	30.5	55	95	170	270	29	120.0	132	32	89	50	70		30	4.45
CHSF80-4-2		14.5:1	80	2	40.0	48.0	30.5	55	95	170	270	29	120.0	132	32	89	50	70		30	4.45
CHSF80-4-4		6.75:1	80	4	40.0	48.0	30.5	55	95	170	270	27	120.0	132	32	89	50	70		30	4.50

型号	模数	速比	a	蜗杆								蜗轮								重量 Kg	
				头数	dm1	dk1	d1	b1	e	f	i	齿数	dm2	dA	b2	d2	H	D	D1		dH7
CHSF100-1.6-1	1.6	107:1	100	1	28.0	31.2	30.5	42	90	225	350	107	172.0	177	20	152	60	85	128	40	6.10
CHSF100-2-1	2	82:1	100	1	35.5	39.5	40.5	46	90	225	350	82	164.5	171	24	142	60	85	118	40	7.40
CHSF100-2.5-1	2.5	62:1	100	1	42.5	47.5	40.5	50	90	225	350	62	157.5	165	28	134	60	85	112	40	7.60
CHSF100-3.15-1		52:1	100	1	33.5	39.8	40.5	58	110	225	350	52	166.5	176	26	140	60	85	115	40	7.70
CHSF100-3.15-2	3.15	36:1	100	2	33.5	39.8	40.5	58	110	225	350	52	166.5	176	26	140	60	85	115	40	7.50
CHSF100-3.15-4		12.25:1	100	4	33.5	39.8	40.5	58	110	225	350	49	166.5	176	26	140	60	85	115	40	7.60
CHSF100-4-1	4	39:1	100	1	40.0	48.0	40.5	64	110	225	350	39	160.0	172	32	128	60	85		40	8.30
CHSF100-4-2		19.5:1	100	2	40.0	48.0	40.5	64	110	225	350	39	160.0	172	32	128	60	85		40	8.30
CHSF100-4-4		9.25:1	100	4	40.0	48.0	40.5	64	110	225	350	37	160.0	172	32	128	60	85		40	8.30
CHSF100-5-1	5	29:1	100	1	50.0	60.0	40.5	70	110	225	350	29	150.0	165	38	112	60	85		40	9.10
CHSF100-5-2		14.5:1	100	2	50.0	60.0	40.5	70	110	225	350	29	150.0	165	38	112	60	85		40	9.10
CHSF100-5-4		6.75:1	100	4	50.0	60.0	40.5	70	110	225	350	27	150.0	165	38	112	60	85		40	9.00

型号	模数	速比	a	蜗杆								蜗轮								重量 Kg	
				头数	dm1	dk1	d1	b1	e	f	i	齿数	dm2	dA	b2	d2	H	D	D1		dH7
CHSF125-2-1	2	107:1	125	1	35.5	39.5	40.5	52	105	255	410	107	214.5	221	24	192	70	105	168	50	4.90
CHSF125-2.5-1	2.5	82:1	125	1	42.5	47.5	45.5	58	105	255	410	82	207.5	215	28	184	70	105	160	50	13.00
CHSF125-3.15-1	3.15	62:1	125	1	53.0	59.3	50.5	64	105	255	410	62	197.0	207	34	179	70	105	145	50	14.60
CHSF125-4-1		52:1	125	1	40.0	48.0	50.5	75	135	205	410	52	210.0	222	32	179	70	105	155	50	14.20
CHSF125-4-2	4	25.5:1	125	2	40.0	48.0	50.5	75	135	255	410	51	210.0	222	32	179	70	105	155	50	14.50
CHSF125-4-4		12:1	125	4	40.0	48.0	50.5	75	135	275	410	48	210.0	222	32	179	70	105	155	50	14.50
CHSF125-5-1	5	39:1	125	1	50.0	60.0	50.5	82	135	255	410	39	200.0	215	38	160	70	105	136	50	15.50
CHSF125-5-2		195:1	125	2	50.0	60.0	50.5	82	135	255	410	39	200.0	215	38	160	70	105	136	50	13.70
CHSF125-5-4		9:1	125	4	50.0	60.0	50.5	82	135	255	410	36	200.0	215	38	160	70	105	136	50	15.50
CHSF125-6.3-1	6.3	29:1	125	1	63.0	75.6	50.5	85	135	255	410	29	187.0	206	50	142	70	105	117	50	17.70
CHSF125-6.3-2		14.5:1	125	2	63.0	75.6	50.5	85	135	255	410	29	187.0	206	50	142	70	105	117	50	17.60
CHSF125-6.3-4		6.75:1	125	4	63.0	75.6	50.5	85	135	255	410	27	187.0	206	50	142	70	105	117	50	18.00



沈阳光宇科技有限公司

地址：辽宁省沈阳市东陵区长青街45号306

电话：024-31992640

传真：024-31992740

网址：<http://www.31992640.com>

E-Mail:xugy@tom.com