



同步带轮篇

沈阳光宇科技有限公司

SHENYANG GUANGYU KE JI YOUXIAN GONGSI

公司简介

沈阳光宇科技有限公司

SHENYANG GUANGYU KEJITOUXIAN GONGSI



沈阳光宇科技有限公司注册在东北的工业基地沈阳，依托东北三省发展装备制造业的优势，为广大客户提供进口优质的传动机械器材。公司本着为广大客户真诚服务、为采购单位节约成本的原则，以优质的产品、实惠的价格、热情的服务、快捷准时的交货期愿与您成为合作的伙伴。愿与广大客户携手并进，共创辉煌。

主要销售的品牌为：

台湾ABBA、韩国SBC、台湾HIWIN、韩国SAMICK、台湾HSK、国产KBS、台湾CPC、韩国JMC、意大利CCVI、日本HIT、美国THOMSON、台湾TAC、日本NSK、日本THK、日本IKO、德国STAR、日本NB、日本KURODA、日本KHK、日本TSUBAKI、日本GTR、台湾TPG、意大利SITI、日本PANASONIC、日本NTN、国产HRB、日本HIOS、台湾TYC等。

主要产品包括：

直线导轨、微型导轨、滚珠丝杆、各类滑台、交叉滚子、线性模组、光栅尺、轴心式滑轨、直线轴承、直线光轴，滑动单元、万向滚珠、关节轴承、杆端轴承、滚针轴承、自润轴承、支撑单元、锁紧螺母、胀紧套、联轴器、万向节、十字轴联轴器、离合器、伺服电机、减速电机、减速机、微型减速电机、缓冲器、分度器、工业链条、拖链、齿轮齿条、机床附件、电动螺丝刀、气动螺丝刀、高压风机、抗干扰元件、气动马达、真空泵等德国、日本、台湾、韩国各生产厂商优质的产品。

企业文化

- 企业宗旨:提供一流产品 提供一流服务 容纳一流人才 成为一流企业
- 核心理念:广纳贤才 实事求是 坦诚合作 达到共赢
- 企业精神:企业忠诚 吃苦耐劳 业务钻研 团结协作
- 企业作风:确定目标 雷厉风行
- 发展战略:高技术水平 高优质服务
- 团队意识:携手共进 众志成城
- 人才理念:以人为本 发挥潜力 鼓励创新

企业理念

企业想发展，必须从一个人，一个机会，一个细节做起，
用诚信、真情来培育市场，用真诚服务使客户有所感受。



同步带轮目录



直孔直边系列

MXL025	
XL037	
L050	L075
L100	
H075	H100
H150	H200
H300	
XH200	XH300
XH400	
XXH200	XXH300
XXH400	XXH500



直孔HTD系列

3M-06	3M-09
3M-15	
5M-09	5M-15
5M-25	
8M-20	8M-30
8M-50	8M-85
14M-40	14M-55
14M-85	14M-115
14M-170	
20M-115	20M-170
20M-230	20M-290
20M-340	



T型齿型
T2.5-AT10

T2.5-16	T5-21
T5-27	T5-36
T10-31	T10-40
T10-47	T10-66
T20-53	T20-71
T20-123	
AT5-21	AT5-27
AT5-36	AT10-31
AT10-40	AT10-47
AT10-66	



锥孔直边系列

TL-L050	TL-L075
TL-L100	
TL-H100	TL-H150
TL-H200	TL-H300
TL-XH200	TL-XH300
TL-XH400	

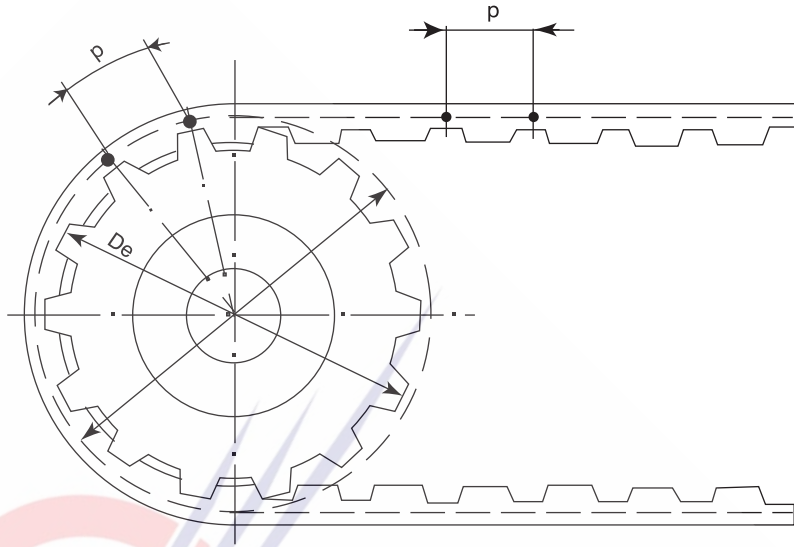


锥孔HTD系列

TL-5M-15	
TL-8M-20	TL-8M-30
TL-8M-50	TL-8M-85
TL-14M-40	TL-14M-55
TL-14M-85	TL-14M-115
TL-14M-170	

材质：AL：铝；CAST IRON：铸铁；STEEL：铁

直孔直边系列齿形图

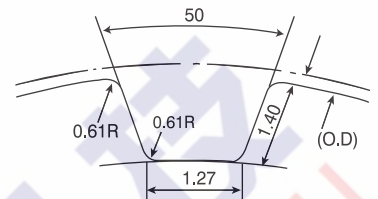
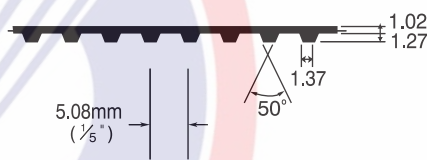


同步带和
同步轮规格

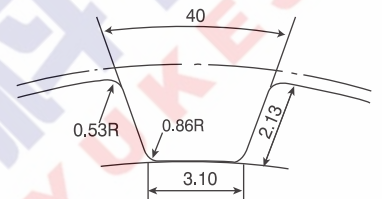
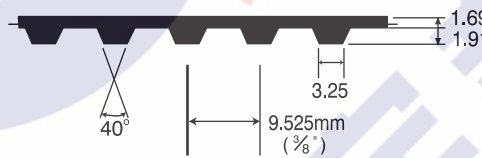
同步带齿形

对应的同步轮齿形

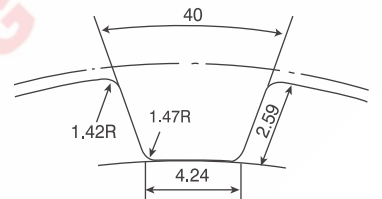
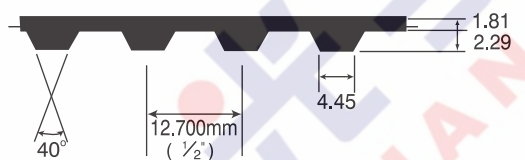
XL



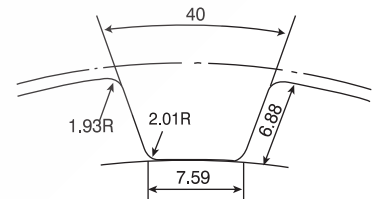
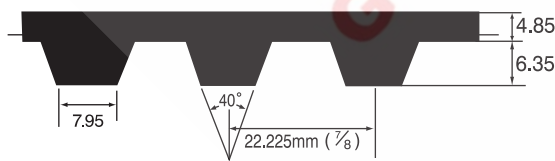
L



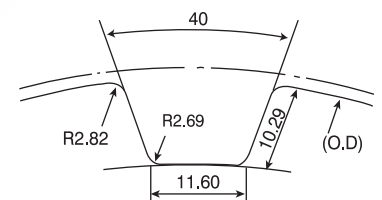
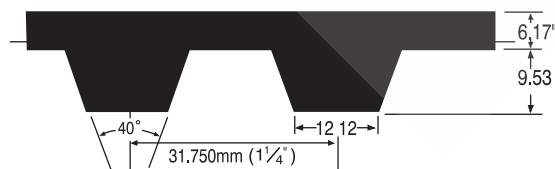
H



XH

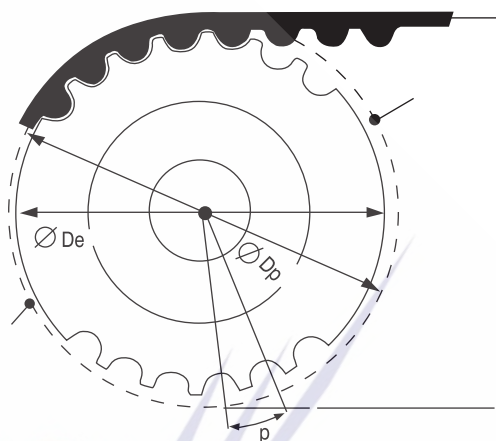




XXH





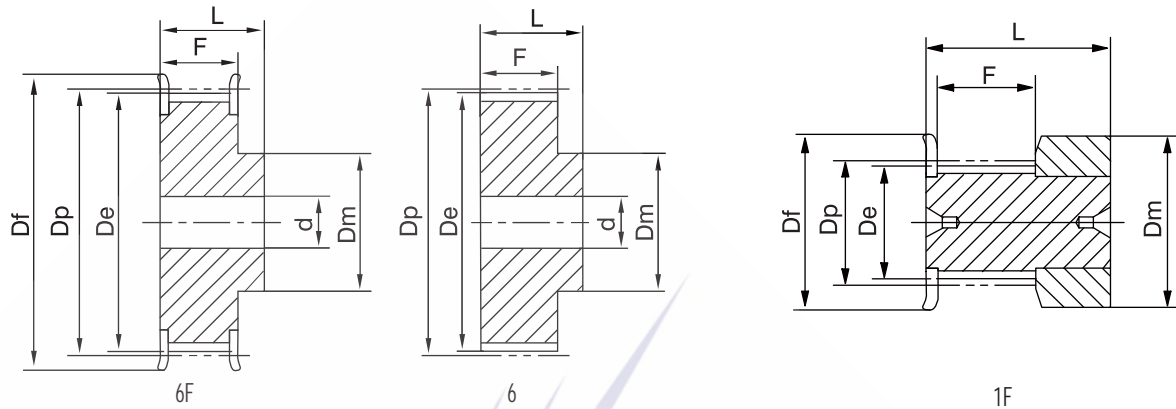
HTD系列齿形图



同步带和同步轮规格	同步带齿形
HTP 3M	
HTP 5M	
HTP 8M	
HTP 14M	
HTP 20M	



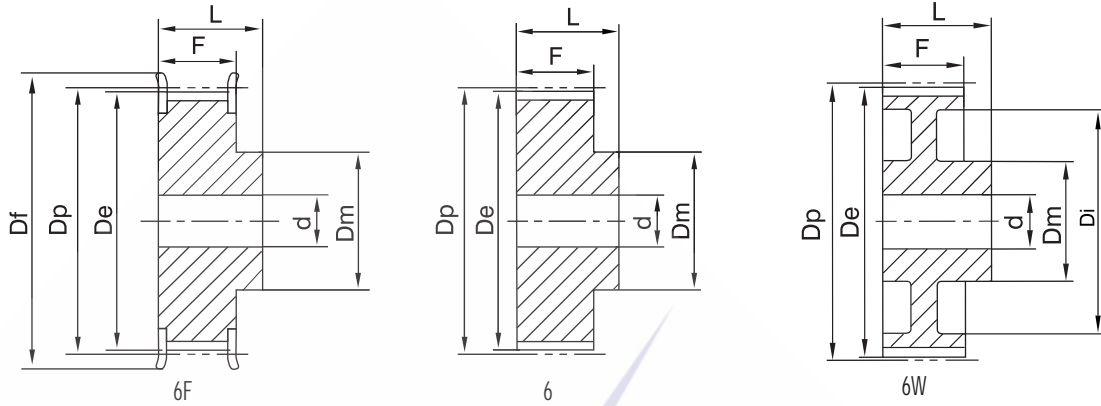
直孔 MXL025 系列(2.032mm)



型号	齿数	结构	材质	DP	De	Df	Dm	F	L	d
16-MXL-025	16	1F	AL	10.35	9.84	15	15	8.5	16	-
18-MXL-025	18	1F	AL	11.64	11.12	16	16	8.5	16	-
20-MXL-025	20	1F	AL	12.94	12.43	16	16	8.5	16	-
22-MXL-025	22	6F	AL	14.23	13.72	17.5	10	11	16	3
24-MXL-025	24	6F	AL	15.52	15.01	20	10	11	16	3
28-MXL-025	28	6F	AL	18.11	17.60	25	11	11	16	3
30-MXL-025	30	6F	AL	19.40	18.90	25	12	11	16	4
32-MXL-025	32	6F	AL	20.70	20.19	25	14	11	16	4
36-MXL-025	36	6F	AL	23.29	22.78	28	16	11	16	4
40-MXL-025	40	6F	AL	25.87	25.37	32	18	11	16	4
42-MXL-025	42	6F	AL	27.17	26.67	32	18	11	16	5
44-MXL-025	44	6F	AL	28.46	27.95	37	18	11	16	5
48-MXL-025	48	6	AL	31.05	30.54	-	20	11	16	5
60-MXL-025	60	6	AL	38.81	38.30	-	24	11	16	5
72-MXL-025	72	6	AL	46.57	46.06	-	25	11	16	6



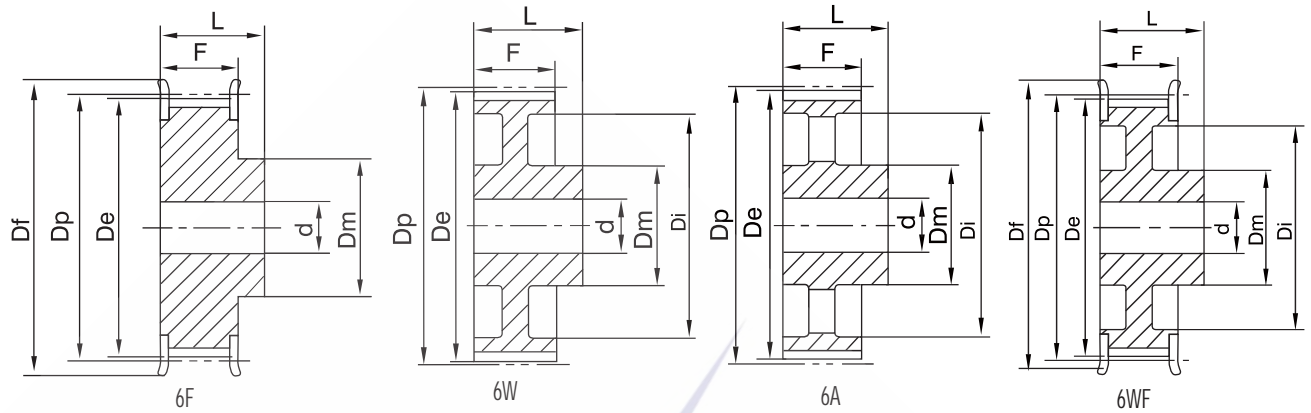
直孔 XL037 系列(5.08mm)



型号	齿数	结构	材料	DP	De	Df	Dm	Di	F	L	d
10-XL-037	10	6F	AL or STEEL	16.17	15.66	23	9.5	-	14.3	20	-
11-XL-037	11	6F	AL or STEEL	17.79	17.28	23	9.5	-	14.3	20	-
12-XL-037	12	6F	AL or STEEL	19.40	18.90	25	10	-	14.3	20	-
13-XL-037	13	6F	AL or STEEL	21.02	20.51	25	10	-	14.3	20	-
14-XL-037	14	6F	AL or STEEL	22.64	22.13	28	15	-	14.3	20	-
15-XL-037	15	6F	AL or STEEL	24.26	23.75	28	15	-	14.3	20	-
16-XL-037	16	6F	AL or STEEL	25.87	25.36	32	16	-	14.3	20	-
17-XL-037	17	6F	AL or STEEL	27.49	26.98	32	20	-	14.3	20	-
18-XL-037	18	6F	AL or STEEL	29.11	28.60	35	20	-	14.3	20	-
19-XL-037	19	6F	AL or STEEL	30.72	30.22	35	20	-	14.3	22	-
20-XL-037	20	6F	AL or STEEL	33.34	31.83	38	23.5	-	14.3	22	-
21-XL-037	21	6F	AL or STEEL	33.96	33.45	38	23.5	-	14.3	22	-
22-XL-037	22	6F	AL or STEEL	35.57	35.07	42	25	-	14.3	22	-
24-XL-037	24	6F	AL or STEEL	38.81	38.30	44	30	-	14.3	22	8
25-XL-037	25	6F	AL or STEEL	40.43	39.92	44	30	-	14.3	22	8
26-XL-037	26	6F	AL or STEEL	42.04	41.53	48	30	-	14.3	22	8
27-XL-037	27	6F	AL or STEEL	43.66	43.15	48	34	-	14.3	22	8
28-XL-037	28	6F	AL or STEEL	45.28	44.77	51	34	-	14.3	22	8
29-XL-037	29	6F	AL or STEEL	46.89	46.39	51	34	-	14.3	22	8
30-XL-037	30	6F	AL or STEEL	48.51	48.00	54	38	-	14.3	22	8
32-XL-037	32	6F	AL or STEEL	51.74	51.24	57	38	-	14.3	25	8
34-XL-037	34	6	AL or STEEL	54.98	54.47	-	45	-	14.3	25	8
35-XL-037	35	6	AL or STEEL	56.60	56.09	-	45	-	14.3	25	8
36-XL-037	36	6	AL or STEEL	58.21	57.70	-	45	-	14.3	25	8
38-XL-037	38	6	AL or STEEL	61.45	60.94	-	45	-	14.3	25	8
39-XL-037	39	6	AL or STEEL	63.06	62.56	-	45	-	14.3	25	8
40-XL-037	40	6	AL or STEEL	64.68	64.17	-	45	-	14.3	25	8
41-XL-037	41	6	AL or STEEL	66.30	65.79	-	45	-	14.3	25	8
42-XL-037	42	6	AL or STEEL	67.91	67.41	-	45	-	14.3	25	8
43-XL-037	43	6	AL or STEEL	69.53	69.02	-	45	-	14.3	25	8
44-XL-037	44	6	AL or STEEL	71.15	70.64	-	45	-	14.3	25	8
45-XL-037	45	6W	AL or STEEL	72.77	72.26	-	45	61	14.3	25	10
46-XL-037	46	6W	AL or STEEL	74.38	73.87	-	45	61	14.3	25	10
47-XL-037	47	6W	AL or STEEL	76.00	75.49	-	45	61	14.3	25	10
48-XL-037	48	6W	AL or STEEL	77.62	77.11	-	45	61	14.3	25	10
49-XL-037	49	6W	AL or STEEL	79.23	78.73	-	45	61	14.3	25	10
52-XL-037	52	6W	AL or STEEL	84.08	83.58	-	45	67	14.3	25	10
56-XL-037	56	6W	AL or STEEL	90.55	90.04	-	45	80	14.3	25	10
57-XL-037	57	6W	AL or STEEL	92.17	91.66	-	45	80	14.3	25	10
58-XL-037	58	6W	AL or STEEL	93.79	93.28	-	45	80	14.3	25	10
59-XL-037	59	6W	AL or STEEL	95.40	94.90	-	45	80	14.3	25	10
60-XL-037	60	6W	AL or STEEL	97.02	96.51	-	45	80	14.3	25	10
68-XL-037	68	6W	AL or STEEL	109.96	109.45	-	45	100	14.3	25	10
69-XL-037	69	6W	AL or STEEL	111.57	111.07	-	45	100	14.3	25	10
70-XL-037	70	6W	AL or STEEL	113.19	112.68	-	45	100	14.3	25	10
71-XL-037	71	6W	AL or STEEL	114.81	114.30	-	45	100	14.3	25	10
72-XL-037	72	6W	AL or STEEL	116.42	115.92	-	45	100	14.3	25	10



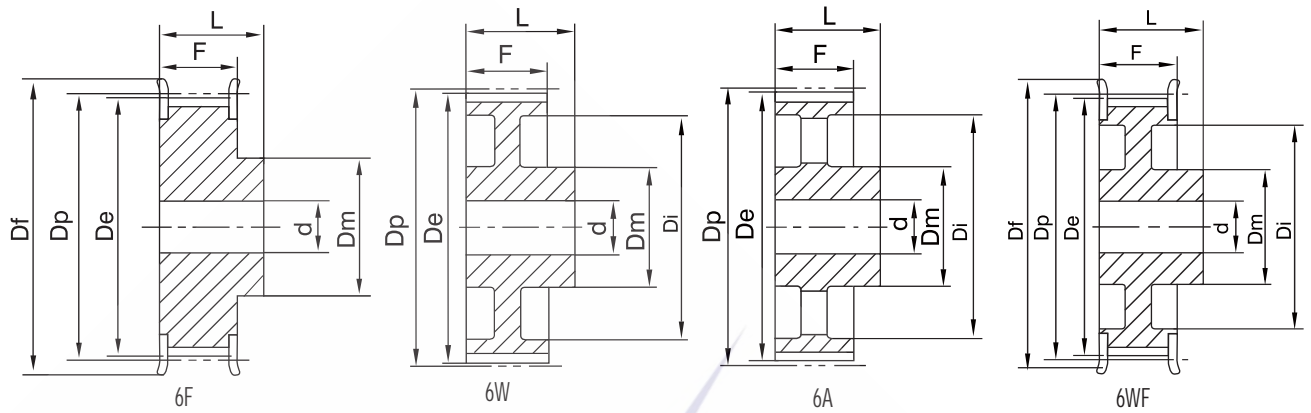
直孔 L050 系列(9.525mm)



型号	齿数	结构	材质	DP	De	Df	Dm	Di	F	L	d
10-L-050	10	6F	STEEL	30.32	29.56	37	20	-	19	28	8
11-L-050	11	6F	STEEL	33.35	32.59	37	22	-	19	30	8
12-L-050	12	6F	STEEL	36.38	35.62	43	24	-	19	30	8
13-L-050	13	6F	STEEL	39.41	38.65	44	28	-	19	30	8
14-L-050	14	6F	STEEL	42.45	41.68	48	28	-	19	30	8
15-L-050	15	6F	STEEL	45.48	44.72	51	34	-	19	30	8
16-L-050	16	6F	STEEL	48.51	47.75	54	36	-	19	32	8
17-L-050	17	6F	STEEL	51.54	50.78	57	36	-	19	32	10
18-L-050	18	6F	STEEL	54.57	53.81	60	40	-	19	32	10
19-L-050	19	6F	STEEL	57.61	56.84	64	40	-	19	32	10
20-L-050	20	6F	STEEL	60.64	59.88	66	40	-	19	32	10
21-L-050	21	6F	STEEL	63.67	62.91	70	45	-	19	32	10
22-L-050	22	6F	STEEL	66.70	65.94	75	45	-	19	32	10
23-L-050	23	6F	STEEL	69.73	68.97	79	55	-	19	32	10
24-L-050	24	6F	STEEL	72.77	72.00	79	55	-	19	32	10
25-L-050	25	6F	STEEL	75.80	75.04	82.5	58	-	19	32	10
26-L-050	26	6F	STEEL	78.83	78.07	86	58	-	19	32	11
27-L-050	27	6F	STEEL	81.86	81.10	86	58	-	19	32	11
28-L-050	28	6F	STEEL	84.89	84.13	91	58	-	19	32	11
29-L-050	29	6F	STEEL	87.93	87.16	94	58	-	19	32	11
30-L-050	30	6F	STEEL	90.96	90.20	97	70	-	19	32	11
32-L-050	32	6F	STEEL	97.02	96.26	102	70	-	19	32	11
33-L-050	33	6F	STEEL	100.05	99.29	106	70	-	19	32	11
34-L-050	34	6F	STEEL	103.08	102.32	112	70	-	19	32	11
35-L-050	35	6F	STEEL	106.12	105.35	112	70	-	19	32	11
36-L-050	36	6F	STEEL	109.15	108.39	115	70	-	19	32	11
40-L-050	40	6WF	STEEL	121.28	120.51	128	70	100	19	32	11
41-L-050	41	6WF	STEEL	124.31	123.55	135	70	103	19	32	11
42-L-050	42	6WF	STEEL	127.34	126.58	135	70	106	19	32	11
44-L-050	44	6WF	STEEL	133.40	132.64	142	70	112	19	32	11
45-L-050	45	6WF	STEEL	136.44	135.67	142	70	115	19	32	11
47-L-050	47	6WF	STEEL	142.50	141.74	150	70	121	19	32	11
48-L-050	48	6WF	STEEL	145.53	144.77	150	70	124	19	32	11
49-L-050	49	6W	CAST IRON	148.56	147.80	-	70	127	19	32	14
50-L-050	50	6W	CAST IRON	151.60	150.83	-	70	130	19	32	14
52-L-050	52	6W	CAST IRON	157.66	156.90	-	70	136	19	32	14
56-L-050	56	6W	CAST IRON	169.79	169.02	-	70	149	19	32	14
57-L-050	57	6W	CAST IRON	172.82	172.06	-	70	152	19	32	14
60-L-050	60	6W	CAST IRON	181.91	181.15	-	75	160	19	42	14
65-L-050	65	6A	CAST IRON	197.07	196.31	-	75	176	19	42	14
66-L-050	66	6A	CAST IRON	200.11	199.34	-	75	179	19	42	14
68-L-050	68	6A	CAST IRON	206.81	205.41	-	75	185	19	42	14
70-L-050	70	6A	CAST IRON	212.24	211.47	-	75	191	19	42	14
72-L-050	72	6A	CAST IRON	218.30	217.53	-	75	197	19	42	14
84-L-050	84	6A	CAST IRON	254.68	253.92	-	75	233	19	42	14
90-L-050	90	6A	CAST IRON	272.87	272.11	-	75	252	19	42	14
96-L-050	96	6A	CAST IRON	291.06	290.30	-	75	269	19	42	14
120-L-050	120	6A	CAST IRON	363.83	363.07	-	75	342	19	42	14



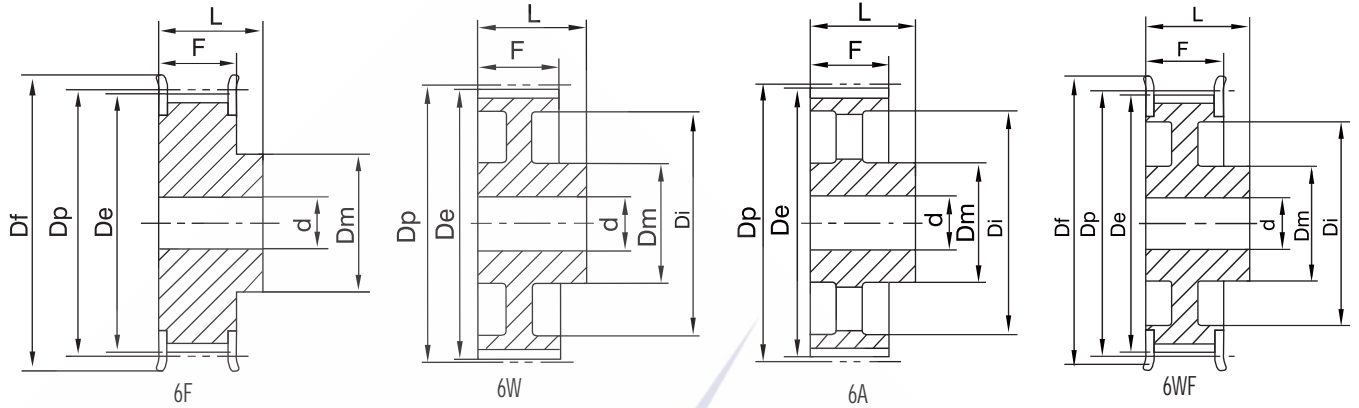
直孔 L075 系列(9.525mm)



型号	齿数	结构	材质	DP	De	Df	Dm	Di	F	L	d
10-L-075	10	6F	STEEL	30.32	29.56	37	20	-	25.4	38	8
11-L-075	11	6F	STEEL	33.35	32.59	37	22	-	25.4	38	8
12-L-075	12	6F	STEEL	36.38	35.62	43	24	-	25.4	38	8
13-L-075	13	6F	STEEL	39.41	38.65	44	28	-	25.4	38	8
14-L-075	14	6F	STEEL	42.45	41.68	48	28	-	25.4	38	11
15-L-075	15	6F	STEEL	45.48	44.72	51	34	-	25.4	38	11
16-L-075	16	6F	STEEL	48.51	47.75	54	36	-	25.4	38	11
17-L-075	17	6F	STEEL	51.54	50.78	57	36	-	25.4	38	11
18-L-075	18	6F	STEEL	54.57	53.81	60	40	-	25.4	38	11
19-L-075	19	6F	STEEL	57.61	56.84	64	40	-	25.4	38	11
20-L-075	20	6F	STEEL	60.64	59.88	66	40	-	25.4	38	11
21-L-075	21	6F	STEEL	63.67	62.91	70	45	-	25.4	38	11
22-L-075	22	6F	STEEL	66.70	65.94	75	45	-	25.4	38	11
23-L-075	23	6F	STEEL	69.73	68.97	79	55	-	25.4	38	11
24-L-075	24	6F	STEEL	72.77	72.00	79	55	-	25.4	38	11
25-L-075	25	6F	STEEL	75.80	75.04	83	58	-	25.4	38	11
26-L-075	26	6F	STEEL	78.83	78.07	87	58	-	25.4	38	11
27-L-075	27	6F	STEEL	81.86	81.10	87	58	-	25.4	38	11
28-L-075	28	6F	STEEL	84.89	84.13	91	58	-	25.4	38	11
29-L-075	29	6F	STEEL	87.93	87.16	93	58	-	25.4	38	11
30-L-075	30	6F	STEEL	90.96	90.20	97	70	-	25.4	38	11
32-L-075	32	6F	STEEL	97.02	96.26	102	70	-	25.4	38	11
33-L-075	33	6F	STEEL	100.05	99.29	106	70	-	25.4	38	11
34-L-075	34	6F	STEEL	103.08	102.32	112	70	-	25.4	38	11
35-L-075	35	6F	STEEL	106.12	105.35	112	70	-	25.4	38	11
36-L-075	36	6F	STEEL	109.15	108.39	128	70	-	25.4	38	11
38-L-075	38	6F	STEEL	115.22	114.46	128	70	-	25.4	38	11
40-L-075	40	6WF	STEEL	121.28	120.51	128	70	100	25.4	38	11
41-L-075	41	6WF	STEEL	124.31	123.55	135	70	103	25.4	38	11
42-L-075	42	6WF	STEEL	127.34	126.58	135	70	106	25.4	38	11
44-L-075	44	6WF	STEEL	133.40	132.64	142	70	112	25.4	38	11
45-L-075	45	6WF	STEEL	136.44	135.67	150	70	115	25.4	38	11
47-L-075	47	6WF	STEEL	142.50	141.74	150	70	121	25.4	38	11
48-L-075	48	6WF	STEEL	145.53	144.77	150	70	124	25.4	38	11
49-L-075	49	6W	CAST IRON	148.56	147.80	-	70	127	25.4	38	14
50-L-075	50	6W	CAST IRON	151.60	150.83	-	70	130	25.4	38	14
52-L-075	52	6W	CAST IRON	157.66	156.90	-	70	136	25.4	38	14
56-L-075	56	6W	CAST IRON	169.79	169.02	-	70	149	25.4	38	14
57-L-075	57	6W	CAST IRON	172.82	172.06	-	70	152	25.4	38	14
60-L-075	60	6W	CAST IRON	181.91	181.15	-	75	160	25.4	45	14
65-L-075	65	6A	CAST IRON	197.07	196.31	-	75	176	25.4	45	14
66-L-075	66	6A	CAST IRON	200.11	199.34	-	75	179	25.4	45	14
70-L-075	70	6A	CAST IRON	212.23	211.47	-	75	192	25.4	45	14
72-L-075	72	6A	CAST IRON	218.30	217.53	-	75	197	25.4	45	14
84-L-075	84	6A	CAST IRON	254.68	253.92	-	75	233	25.4	45	14
90-L-075	90	6A	CAST IRON	272.87	272.11	-	75	252	25.4	45	14
96-L-075	96	6A	CAST IRON	291.06	290.30	-	75	269	25.4	45	14
120-L-075	120	6A	CAST IRON	363.83	363.07	-	75	342	25.4	45	14



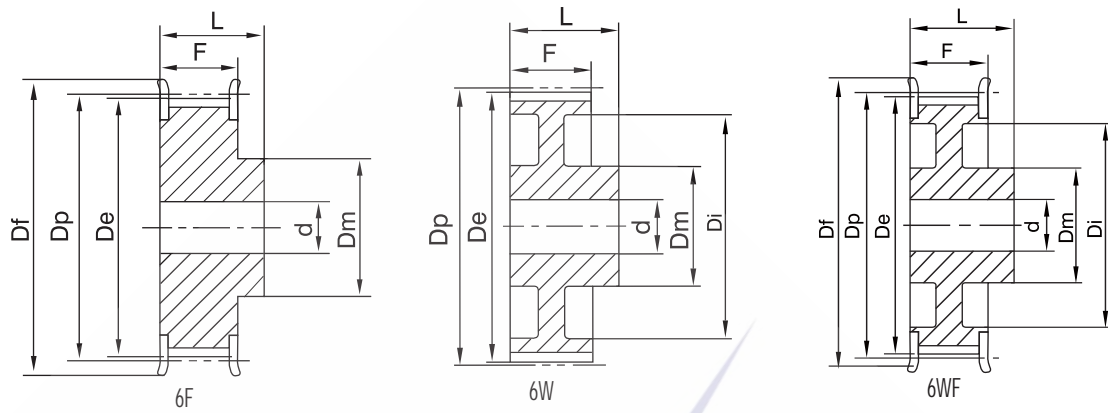
直孔 L100 系列(9.525mm)



型号	齿数	结构	材料	DP	De	Df	Dm	Di	F	L	d
10-L-100	10	6F	STEEL	30.32	29.56	37	20	-	31.8	45	8
11-L-100	11	6F	STEEL	33.35	32.59	37	22	-	31.8	45	8
12-L-100	12	6F	STEEL	36.38	35.62	43	24	-	31.8	45	8
13-L-100	13	6F	STEEL	39.41	38.65	44	28	-	31.8	45	8
14-L-100	14	6F	STEEL	42.45	41.68	48	28	-	31.8	45	11
15-L-100	15	6F	STEEL	45.48	44.72	51	34	-	31.8	45	11
16-L-100	16	6F	STEEL	48.51	47.75	54	36	-	31.8	45	11
17-L-100	17	6F	STEEL	51.54	50.78	57	36	-	31.8	45	11
18-L-100	18	6F	STEEL	54.57	53.81	60	40	-	31.8	45	11
19-L-100	19	6F	STEEL	57.61	56.84	64	40	-	31.8	45	11
20-L-100	20	6F	STEEL	60.64	59.88	66	40	-	31.8	45	11
21-L-100	21	6F	STEEL	63.67	62.91	70	45	-	31.8	45	11
22-L-100	22	6F	STEEL	66.70	65.94	75	45	-	31.8	45	11
23-L-100	23	6F	STEEL	69.73	68.97	79	55	-	31.8	45	11
24-L-100	24	6F	STEEL	72.77	72.00	79	55	-	31.8	45	11
25-L-100	25	6F	STEEL	75.80	75.04	83	58	-	31.8	45	11
26-L-100	26	6F	STEEL	78.83	78.07	87	58	-	31.8	45	11
27-L-100	27	6F	STEEL	81.86	81.10	87	58	-	31.8	45	11
28-L-100	28	6F	STEEL	84.89	84.13	91	58	-	31.8	45	11
29-L-100	29	6F	STEEL	87.93	87.16	93	58	-	31.8	45	11
30-L-100	30	6F	STEEL	90.96	90.20	97	70	-	31.8	45	11
32-L-100	32	6F	STEEL	97.02	96.26	102	70	-	31.8	45	11
33-L-100	33	6F	STEEL	100.05	99.29	106	70	-	31.8	45	11
34-L-100	34	6F	STEEL	103.08	102.32	112	70	-	31.8	45	11
35-L-100	35	6F	STEEL	106.12	105.35	112	70	-	31.8	45	11
36-L-100	36	6F	STEEL	109.15	108.39	115	70	-	31.8	45	11
40-L-100	40	6WF	STEEL	121.28	120.51	128	70	100	31.8	45	11
41-L-100	41	6WF	STEEL	124.31	123.55	135	70	103	31.8	45	11
42-L-100	42	6WF	STEEL	127.34	126.58	135	70	106	31.8	45	11
44-L-100	44	6WF	STEEL	133.40	132.64	142	70	112	31.8	45	11
45-L-100	45	6WF	STEEL	136.44	135.67	142	70	115	31.8	45	11
47-L-100	47	6WF	STEEL	142.50	141.74	150	70	121	31.8	45	11
48-L-100	48	6WF	STEEL	145.53	144.77	150	70	124	31.8	45	11
49-L-100	49	6W	CAST IRON	148.56	147.80	-	70	127	31.8	45	14
50-L-100	50	6W	CAST IRON	151.60	150.83	-	70	130	31.8	45	14
52-L-100	52	6W	CAST IRON	157.66	156.90	-	70	136	31.8	45	14
56-L-100	56	6W	CAST IRON	169.79	169.02	-	70	149	31.8	45	14
57-L-100	57	6W	CAST IRON	172.82	172.06	-	70	152	31.8	45	14
60-L-100	60	6W	CAST IRON	181.91	181.15	-	75	160	31.8	50	14
65-L-100	65	6A	CAST IRON	197.07	196.31	-	75	176	31.8	50	14
66-L-100	66	6A	CAST IRON	200.10	199.34	-	75	179	31.8	50	14
68-L-100	68	6A	CAST IRON	206.17	205.41	-	75	185	31.8	50	14
72-L-100	72	6A	CAST IRON	218.3	217.53	-	75	197	31.8	50	14
84-L-100	84	6A	CAST IRON	254.68	253.92	-	75	233	31.8	50	14
90-L-100	90	6A	CAST IRON	272.87	272.11	-	75	252	31.8	50	14
96-L-100	96	6A	CAST IRON	291.06	290.30	-	75	269	31.8	50	14
120-L-100	120	6A	CAST IRON	363.83	363.07	-	75	342	31.8	50	14



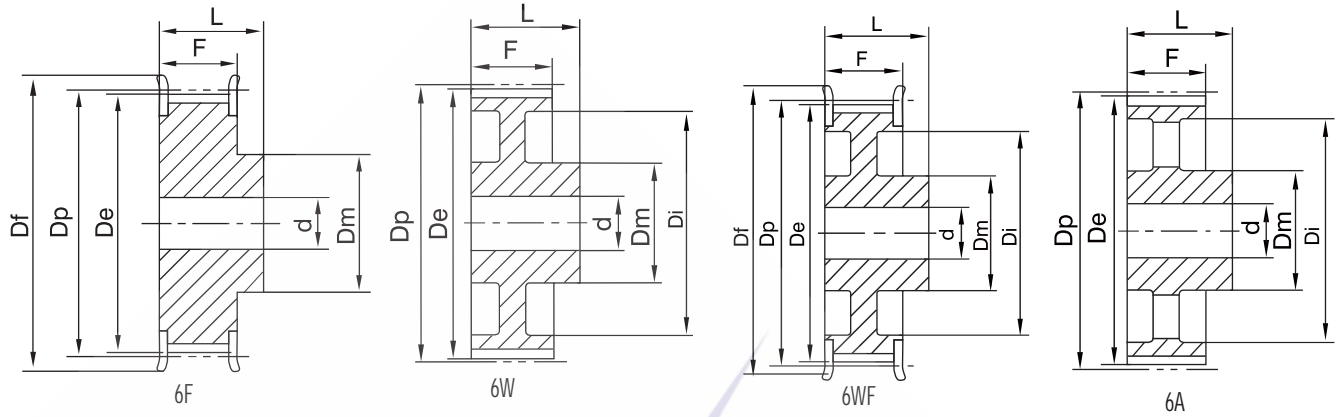
直孔 H075(12.700mm)



型号	齿数	结构	材料	DP	De	Df	Dm	Di	F	L	d
14-H-075	14	6F	STEEL	56.60	55.22	64	40	-	26.4	40	8
15-H-075	15	6F	STEEL	60.64	59.27	66.5	45	-	26.4	40	8
16-H-075	16	6F	STEEL	64.68	63.31	70	45	-	26.4	40	8
17-H-075	17	6F	STEEL	68.72	67.35	75	45	-	26.4	40	8
18-H-075	18	6F	STEEL	72.77	71.39	79	55	-	26.4	40	11
19-H-075	19	6F	STEEL	76.81	75.44	82.5	60	-	26.4	40	11
20-H-075	20	6F	STEEL	80.85	79.48	87	62	-	26.4	40	11
21-H-075	21	6F	STEEL	84.89	83.52	91	65	-	26.4	40	11
22-H-075	22	6F	STEEL	88.94	87.56	94	68	-	26.4	40	11
23-H-075	23	6F	STEEL	92.98	91.61	97	72	-	26.4	40	11
24-H-075	24	6F	STEEL	97.02	95.65	102	72	-	26.4	40	11
25-H-075	25	6F	STEEL	101.06	99.69	106	72	-	26.4	40	11
26-H-075	26	6F	STEEL	105.11	103.73	112	80	-	26.4	40	11
27-H-075	27	6F	STEEL	109.15	107.78	115	80	-	26.4	40	11
28-H-075	28	6F	STEEL	113.19	111.82	120	80	-	26.4	40	11
29-H-075	29	6F	STEEL	117.23	115.86	120	80	-	26.4	40	11
30-H-075	30	6F	STEEL	121.28	119.90	128	80	-	26.4	40	11
32-H-075	32	6F	STEEL	129.36	127.99	135	80	-	26.4	40	11
33-H-075	33	6F	STEEL	133.40	132.03	142	80	-	26.4	40	11
34-H-075	34	6F	STEEL	137.45	136.07	142	80	-	26.4	40	11
35-H-075	35	6F	STEEL	141.49	140.12	150	80	-	26.4	40	11
36-H-075	36	6F	STEEL	145.53	144.16	150	80	118	26.4	40	11
38-H-075	38	6F	STEEL	153.62	152.24	158	80	126	26.4	40	11
40-H-075	40	6F	STEEL	161.70	160.33	168	80	134	26.4	40	11
42-H-075	42	6F	STEEL	169.79	168.41	180	80	140	26.4	40	11
44-H-075	44	6WF	CAST IRON	177.87	176.50	184	80	150	26.4	40	14
45-H-075	45	6WF	CAST IRON	181.91	180.54	192	80	154	26.4	40	14
48-H-075	48	6WF	CAST IRON	194.04	192.67	200	90	166	26.4	45	14
49-H-075	49	6W	CAST IRON	198.08	196.71	-	90	170	26.4	45	14
50-H-075	50	6W	CAST IRON	202.13	200.75	-	90	174	26.4	45	14



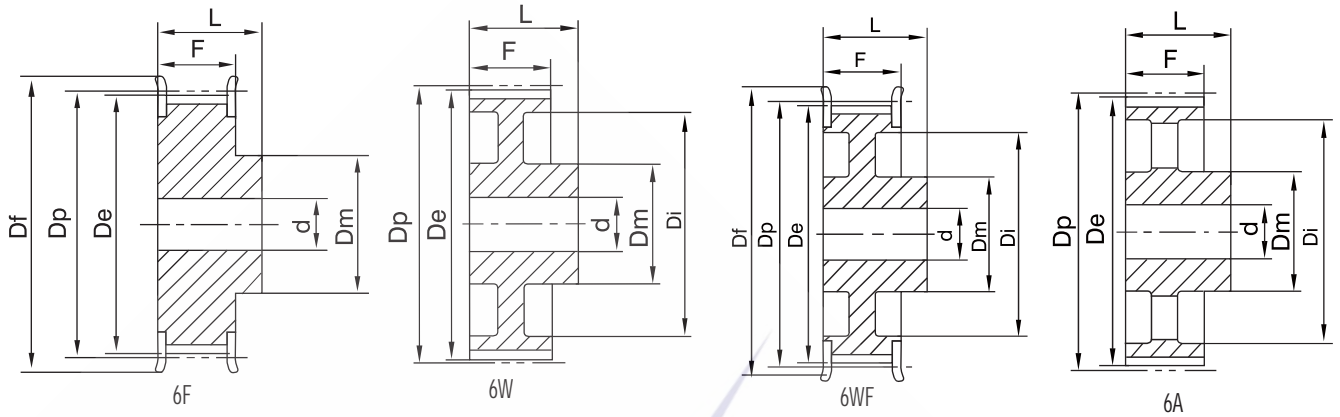
直孔 H100(12.700mm)



型号	齿数	结构	材料	DP	De	Df	Dm	Di	F	L	d
14-H-100	14	6F	STEEL	56.60	55.22	64	40	-	31.8	45	11
15-H-100	15	6F	STEEL	60.64	59.27	66.5	45	-	31.8	45	11
16-H-100	16	6F	STEEL	64.68	63.31	70	45	-	31.8	45	11
17-H-100	17	6F	STEEL	68.72	67.35	75	45	-	31.8	45	11
18-H-100	18	6F	STEEL	72.77	71.39	79	55	-	31.8	45	14
19-H-100	19	6F	STEEL	76.81	75.44	82.5	60	-	31.8	45	14
20-H-100	20	6F	STEEL	80.85	79.48	87	62	-	31.8	45	14
21-H-100	21	6F	STEEL	84.89	83.52	91	65	-	31.8	45	14
22-H-100	22	6F	STEEL	88.94	87.56	94	68	-	31.8	45	14
23-H-100	23	6F	STEEL	92.98	91.61	97	72	-	31.8	45	14
24-H-100	24	6F	STEEL	97.02	95.65	102	72	-	31.8	45	14
25-H-100	25	6F	STEEL	101.06	99.69	106	72	-	31.8	45	14
26-H-100	26	6F	STEEL	105.11	103.73	112	80	-	31.8	45	14
27-H-100	27	6F	STEEL	109.15	107.78	115	80	-	31.8	45	14
28-H-100	28	6F	STEEL	113.19	111.82	120	80	-	31.8	45	14
29-H-100	29	6F	STEEL	117.23	115.86	120	80	-	31.8	45	14
30-H-100	30	6F	STEEL	121.28	119.90	128	80	-	31.8	45	14
32-H-100	32	6F	STEEL	129.36	127.99	135	80	-	31.8	45	14
33-H-100	33	6F	STEEL	133.40	132.03	142	80	-	31.8	45	14
34-H-100	34	6F	STEEL	137.45	136.07	142	80	-	31.8	45	14
35-H-100	35	6F	STEEL	141.49	140.12	150	80	-	31.8	45	14
36-H-100	36	6WF	STEEL	145.53	144.16	150	80	118	31.8	45	14
38-H-100	38	6WF	STEEL	153.62	152.24	158	80	123	31.8	45	14
40-H-100	40	6WF	STEEL	161.70	160.33	168	80	134	31.8	45	14
42-H-100	42	6WF	STEEL	169.79	168.41	180	80	140	31.8	45	14
44-H-100	44	6WF	CAST IRON	177.87	176.50	184	80	150	31.8	50	14
45-H-100	45	6WF	CAST IRON	181.91	180.54	192	80	154	31.8	50	14
48-H-100	48	6WF	CAST IRON	194.04	192.67	200	90	166	31.8	50	14
49-H-100	49	6W	CAST IRON	198.08	196.71	-	90	170	31.8	50	19
50-H-100	50	6W	CAST IRON	202.13	200.75	-	90	174	31.8	50	19
52-H-100	52	6W	CAST IRON	210.21	208.84	-	90	182	31.8	50	19
57-H-100	57	6A	CAST IRON	230.42	229.05	-	90	203	31.8	50	19
58-H-100	58	6A	CAST IRON	234.47	233.09	-	90	207	31.8	50	19
60-H-100	60	6A	CAST IRON	242.55	241.18	-	90	215	31.8	50	19
68-H-100	68	6A	CAST IRON	274.90	273.53	-	100	247	31.8	55	19
70-H-100	70	6A	CAST IRON	282.98	281.61	-	100	255	31.8	55	19
72-H-100	72	6A	CAST IRON	291.06	289.69	-	100	263	31.8	55	19
82-H-100	82	6A	CAST IRON	331.49	330.12	-	100	304	31.8	55	19
84-H-100	84	6A	CAST IRON	339.57	338.20	-	100	312	31.8	55	19
94-H-100	94	6A	CAST IRON	380.00	378.63	-	120	352	31.8	60	19
96-H-100	96	6A	CAST IRON	388.08	386.71	-	120	360	31.8	60	19
106-H-100	106	6A	CAST IRON	428.51	427.14	-	120	401	31.8	60	19
116-H-100	116	6A	CAST IRON	468.93	467.56	-	120	441	31.8	60	19
118-H-100	118	6A	CAST IRON	477.02	475.65	-	120	449	31.8	60	19
120-H-100	120	6A	CAST IRON	485.10	483.73	-	120	458	31.8	60	19
150-H-100	150	6A	CAST IRON	606.38	605.01	-	120	579	31.8	60	19
152-H-100	152	6A	CAST IRON	614.47	613.09	-	120	587	31.8	60	19
154-H-100	154	6A	CAST IRON	622.55	621.18	-	120	595	31.8	60	19
156-H-100	156	6A	CAST IRON	630.64	629.26	-	120	603	31.8	60	19



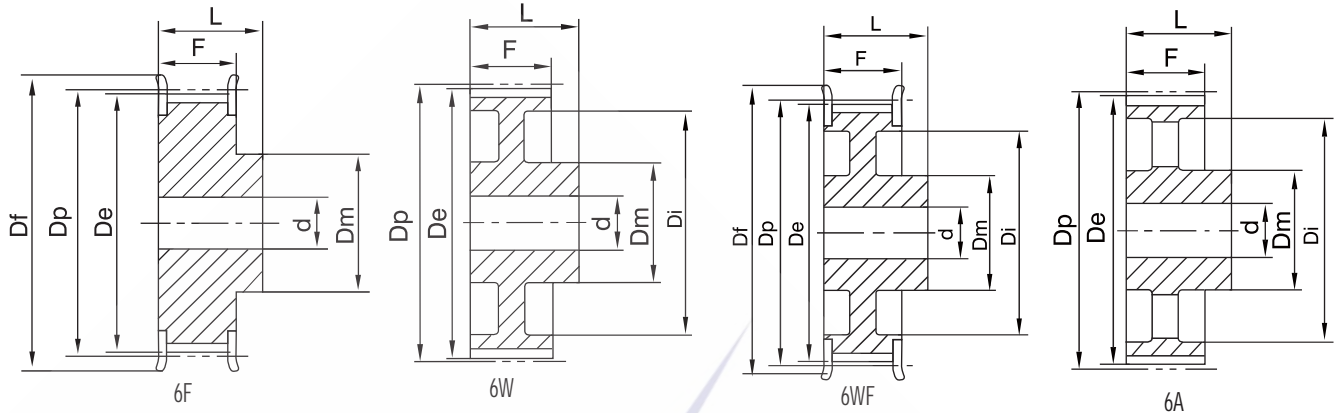
直孔 H150(12.700mm)



型号	齿数	结构	材料	DP	De	Df	Dm	Di	F	L	d
14-H-150	14	6F	STEEL	56.60	55.22	64	40	-	46	58	11
15-H-150	15	6F	STEEL	60.64	59.27	66.5	45	-	46	58	11
16-H-150	16	6F	STEEL	64.68	63.31	70	45	-	46	58	11
17-H-150	17	6F	STEEL	68.72	67.35	75	45	-	46	58	11
18-H-150	18	6F	STEEL	72.77	71.39	79	55	-	46	58	14
19-H-150	19	6F	STEEL	76.81	75.44	82.5	60	-	46	58	14
20-H-150	20	6F	STEEL	80.85	79.48	87	62	-	46	58	14
21-H-150	21	6F	STEEL	84.89	83.52	91	65	-	46	58	14
22-H-150	22	6F	STEEL	88.94	87.56	94	68	-	46	58	14
23-H-150	23	6F	STEEL	92.98	91.61	97	72	-	46	58	14
24-H-150	24	6F	STEEL	97.02	95.65	102	72	-	46	58	14
25-H-150	25	6F	STEEL	101.06	99.69	106	72	-	46	58	14
26-H-150	26	6F	STEEL	105.11	103.73	112	80	-	46	58	14
27-H-150	27	6F	STEEL	109.15	107.78	115	80	-	46	58	14
28-H-150	28	6F	STEEL	113.19	111.82	120	80	-	46	58	14
29-H-150	29	6F	STEEL	117.23	115.86	120	80	-	46	58	14
30-H-150	30	6F	STEEL	121.28	119.90	128	80	-	46	58	14
32-H-150	32	6F	STEEL	129.36	127.99	135	80	-	46	58	14
33-H-150	33	6F	STEEL	133.40	132.03	142	80	-	46	58	14
34-H-150	34	6F	STEEL	137.45	136.07	142	80	-	46	58	14
35-H-150	35	6F	STEEL	141.49	140.12	150	80	-	46	58	14
36-H-150	36	6WF	STEEL	145.53	144.16	150	80	118	46	58	14
38-H-150	38	6WF	STEEL	153.62	152.24	158	80	126	46	58	14
40-H-150	40	6WF	STEEL	161.70	160.33	168	80	134	46	58	14
42-H-150	42	6WF	STEEL	169.79	168.41	180	80	140	46	58	19
44-H-150	44	6WF	CAST IRON	177.87	176.50	184	80	150	46	58	19
45-H-150	45	6WF	CAST IRON	181.91	180.54	192	80	154	46	58	19
48-H-150	48	6WF	CAST IRON	194.04	192.67	200	90	166	46	65	19
49-H-150	49	6W	CAST IRON	198.08	196.71	-	90	170	46	65	19
50-H-150	50	6W	CAST IRON	202.13	200.75	-	90	174	46	65	19
52-H-150	52	6W	CAST IRON	210.21	208.84	-	90	182	46	65	19
57-H-150	57	6A	CAST IRON	230.43	229.05	-	90	203	46	65	19
58-H-150	58	6A	CAST IRON	234.47	233.09	-	90	207	46	65	19
60-H-150	60	6A	CAST IRON	242.55	241.18	-	90	215	46	65	19
68-H-150	68	6A	CAST IRON	274.91	273.53	-	100	247	46	65	24
70-H-150	70	6A	CAST IRON	282.98	281.61	-	100	255	46	65	24
72-H-150	72	6A	CAST IRON	291.06	289.69	-	100	263	46	65	24
82-H-150	82	6A	CAST IRON	331.49	330.12	-	100	304	46	65	24
84-H-150	84	6A	CAST IRON	339.57	338.20	-	100	312	46	65	24
94-H-150	94	6A	CAST IRON	380.00	378.63	-	120	352	46	65	24
96-H-150	96	6A	CAST IRON	388.08	386.71	-	120	360	46	65	24
106-H-150	106	6A	CAST IRON	428.51	427.14	-	120	401	46	65	24
116-H-150	116	6A	CAST IRON	468.93	467.56	-	120	441	46	65	24
118-H-150	118	6A	CAST IRON	477.02	475.65	-	120	449	46	65	24
120-H-150	120	6A	CAST IRON	485.10	483.73	-	120	458	46	65	24
150-H-150	150	6A	CAST IRON	606.38	605.01	-	120	579	46	65	24
152-H-150	152	6A	CAST IRON	614.47	613.09	-	120	587	46	65	24
154-H-150	154	6A	CAST IRON	622.55	621.18	-	120	595	46	65	24
156-H-150	156	6A	CAST IRON	630.64	629.26	-	120	603	46	65	24



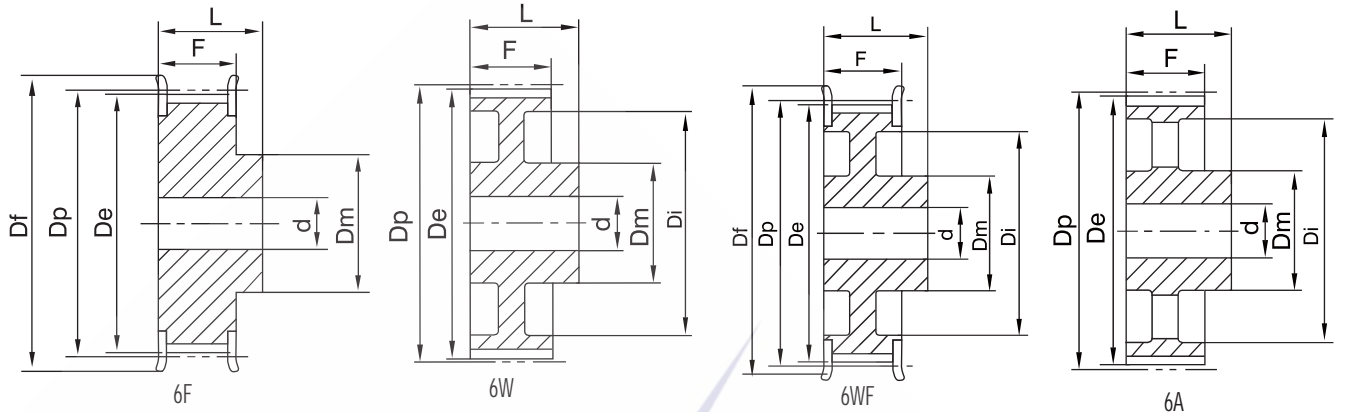
直孔 H200(12.700mm)



型号	齿数	结构	材料	DP	De	Df	Dm	Di	F	L	d
14-H-200	14	6F	STEEL	56.60	55.22	64	40	-	58.7	70	11
15-H-200	15	6F	STEEL	60.64	59.27	66.5	45	-	58.7	70	11
16-H-200	16	6F	STEEL	64.68	63.31	70	45	-	58.7	70	11
17-H-200	17	6F	STEEL	68.72	67.35	75	45	-	58.7	70	11
18-H-200	18	6F	STEEL	72.77	71.39	79	55	-	58.7	70	14
19-H-200	19	6F	STEEL	76.81	75.44	82.5	60	-	58.7	70	14
20-H-200	20	6F	STEEL	80.85	79.48	87	62	-	58.7	70	14
21-H-200	21	6F	STEEL	84.89	83.52	91	65	-	58.7	70	14
22-H-200	22	6F	STEEL	88.94	87.56	94	68	-	58.7	70	14
23-H-200	23	6F	STEEL	92.98	91.61	97	72	-	58.7	70	14
24-H-200	24	6F	STEEL	97.02	95.65	102	72	-	58.7	70	14
25-H-200	25	6F	STEEL	101.06	99.69	106	72	-	58.7	70	14
26-H-200	26	6F	STEEL	105.11	103.73	112	80	-	58.7	70	14
27-H-200	27	6F	STEEL	109.15	107.78	115	80	-	58.7	70	14
28-H-200	28	6F	STEEL	113.19	111.82	120	80	-	58.7	70	14
29-H-200	29	6F	STEEL	117.23	115.86	120	80	-	58.7	70	14
30-H-200	30	6F	STEEL	121.28	119.90	128	80	-	58.7	70	14
32-H-200	32	6F	STEEL	129.36	127.99	135	80	-	58.7	70	14
33-H-200	33	6F	STEEL	133.40	132.03	142	80	-	58.7	70	14
34-H-200	34	6F	STEEL	137.45	136.07	142	80	-	58.7	70	14
35-H-200	35	6F	STEEL	141.49	140.12	150	80	-	58.7	70	14
36-H-200	36	6WF	STEEL	145.53	144.16	150	80	118	58.7	70	14
38-H-200	38	6WF	STEEL	153.62	152.24	158	80	126	58.7	70	14
40-H-200	40	6WF	STEEL	161.70	160.33	168	80	134	58.7	70	14
42-H-200	42	6WF	STEEL	169.79	168.41	180	80	140	58.7	70	19
44-H-200	44	6WF	CAST IRON	177.87	176.50	184	80	150	58.7	70	19
45-H-200	45	6WF	CAST IRON	181.91	180.54	192	80	154	58.7	70	19
48-H-200	48	6WF	CAST IRON	194.04	192.67	200	90	166	58.7	75	24
49-H-200	49	6W	CAST IRON	198.08	196.71	-	90	170	58.7	75	24
50-H-200	50	6W	CAST IRON	202.13	200.75	-	90	174	58.7	75	24
52-H-200	52	6W	CAST IRON	210.21	208.84	-	90	182	58.7	75	24
57-H-200	57	6A	CAST IRON	230.42	229.05	-	90	203	58.7	75	24
58-H-200	58	6A	CAST IRON	234.47	233.09	-	90	207	58.7	75	24
60-H-200	60	6A	CAST IRON	242.55	241.18	-	90	215	58.7	75	24
68-H-200	68	6A	CAST IRON	274.90	273.53	-	100	247	58.7	75	24
70-H-200	70	6A	CAST IRON	282.98	281.61	-	100	255	58.7	75	28
72-H-200	72	6A	CAST IRON	291.06	289.69	-	100	263	58.7	75	28
82-H-200	82	6A	CAST IRON	331.49	330.12	-	100	304	58.7	75	28
84-H-200	84	6A	CAST IRON	339.57	338.20	-	100	312	58.7	75	28
94-H-200	94	6A	CAST IRON	380.00	378.63	-	120	352	58.7	75	28
96-H-200	96	6A	CAST IRON	388.08	386.71	-	120	360	58.7	75	28
106-H-200	106	6A	CAST IRON	428.51	427.14	-	120	401	58.7	75	28
116-H-200	116	6A	CAST IRON	468.93	467.56	-	120	441	58.7	75	28
118-H-200	118	6A	CAST IRON	477.02	475.65	-	120	449	58.7	75	28
120-H-200	120	6A	CAST IRON	485.10	483.73	-	120	458	58.7	75	28
150-H-200	150	6A	CAST IRON	606.38	605.01	-	120	579	58.7	75	28
152-H-200	152	6A	CAST IRON	614.47	613.09	-	120	587	58.7	75	28
154-H-200	154	6A	CAST IRON	622.55	621.18	-	120	595	58.7	75	28
156-H-200	156	6A	CAST IRON	630.64	629.26	-	120	603	58.7	75	28



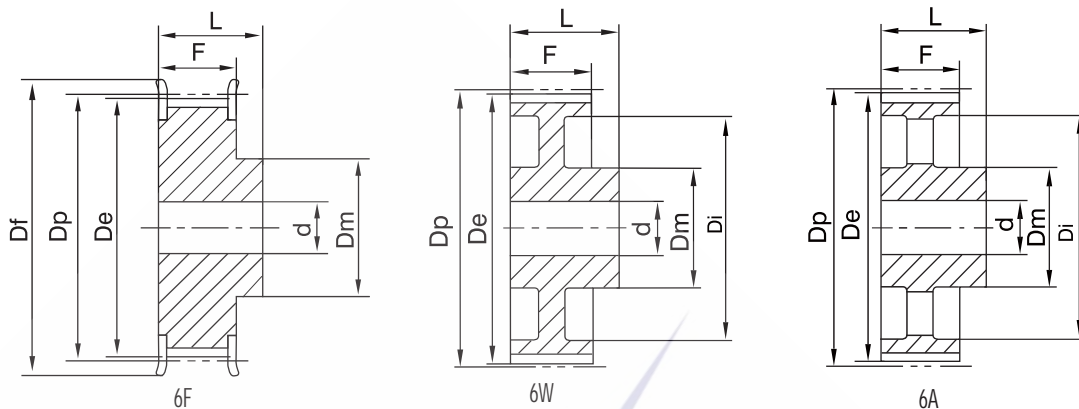
直孔 H300(12.700mm)



型号	齿数	结构	材料	DP	De	Df	Dm	Di	F	L	d
14-H-300	14	6F	STEEL	56.60	55.22	64	40	-	85.7	100	11
15-H-300	15	6F	STEEL	60.64	59.27	66	45	-	85.7	100	11
16-H-300	16	6F	STEEL	64.68	63.31	70	45	-	85.7	100	11
17-H-300	17	6F	STEEL	68.72	67.35	75	45	-	85.7	100	11
18-H-300	18	6F	STEEL	72.77	71.39	79	55	-	85.7	100	19
19-H-300	19	6F	STEEL	76.81	75.44	83	60	-	85.7	100	19
20-H-300	20	6F	STEEL	80.85	79.48	87	62	-	85.7	100	19
21-H-300	21	6F	STEEL	84.89	83.52	91	65	-	85.7	100	19
22-H-300	22	6F	STEEL	88.94	87.56	93	68	-	85.7	100	19
23-H-300	23	6F	STEEL	92.98	91.61	97	72	-	85.7	100	19
24-H-300	24	6F	STEEL	97.02	95.65	102	72	-	85.7	100	19
25-H-300	25	6F	STEEL	101.06	99.69	106	72	-	85.7	100	19
26-H-300	26	6F	STEEL	105.11	103.73	112	80	-	85.7	100	19
27-H-300	27	6F	STEEL	109.15	107.78	115	80	-	85.7	100	19
28-H-300	28	6F	STEEL	113.19	111.82	120	80	-	85.7	100	19
29-H-300	29	6F	STEEL	117.23	115.86	123	80	-	85.7	100	19
30-H-300	30	6F	STEEL	121.28	119.90	128	80	-	85.7	100	19
32-H-300	32	6F	STEEL	129.36	127.99	135	80	-	85.7	100	19
33-H-300	33	6F	STEEL	133.40	132.03	142	80	-	85.7	100	19
34-H-300	34	6F	STEEL	137.45	136.07	142	80	-	85.7	100	19
35-H-300	35	6F	STEEL	141.49	140.12	150	80	-	85.7	100	19
36-H-300	36	6WF	STEEL	145.53	144.16	150	80	118	85.7	100	19
38-H-300	38	6WF	STEEL	153.62	152.24	158	80	126	85.7	100	19
40-H-300	40	6WF	STEEL	161.70	160.33	168	80	134	85.7	100	19
42-H-300	42	6WF	STEEL	169.79	168.41	175	80	140	85.7	100	24
44-H-300	44	6WF	CAST IRON	177.87	176.50	184	80	150	85.7	100	24
45-H-300	45	6WF	CAST IRON	181.91	180.54	192	80	154	85.7	100	24
48-H-300	48	6WF	CAST IRON	194.04	192.67	200	90	166	85.7	100	24
49-H-300	49	6W	CAST IRON	198.08	196.71	-	90	170	85.7	100	24
50-H-300	50	6W	CAST IRON	202.13	200.75	-	90	174	85.7	100	24
52-H-300	52	6W	CAST IRON	210.21	208.84	-	90	182	85.7	100	24
57-H-300	57	6A	CAST IRON	230.47	229.09	-	90	203	85.7	100	24
58-H-300	58	6A	CAST IRON	234.47	233.09	-	90	207	85.7	100	24
60-H-300	60	6A	CAST IRON	242.55	241.18	-	90	215	85.7	100	28
70-H-300	70	6A	CAST IRON	282.98	281.61	-	100	255	85.7	100	28
72-H-300	72	6A	CAST IRON	291.06	289.69	-	100	263	85.7	100	28
82-H-300	82	6A	CAST IRON	331.49	330.12	-	100	304	85.7	100	28
84-H-300	84	6A	CAST IRON	339.57	338.20	-	100	312	85.7	100	28
94-H-300	94	6A	CAST IRON	380.00	378.63	-	120	352	85.7	100	28
96-H-300	96	6A	CAST IRON	388.08	386.71	-	120	360	85.7	100	28
106-H-300	106	6A	CAST IRON	428.51	427.14	-	120	401	85.7	100	28
116-H-300	116	6A	CAST IRON	468.93	467.56	-	120	441	85.7	100	28
118-H-300	118	6A	CAST IRON	477.02	475.65	-	120	449	85.7	100	28
120-H-300	120	6A	CAST IRON	485.10	483.73	-	120	458	85.7	100	28
150-H-300	150	6A	CAST IRON	606.38	605.01	-	120	579	85.7	100	28
152-H-300	152	6A	CAST IRON	614.47	613.09	-	120	587	85.7	100	28
154-H-300	154	6A	CAST IRON	622.55	621.18	-	120	595	85.7	100	28
156-H-300	156	6A	CAST IRON	630.64	629.26	-	120	603	85.7	100	28



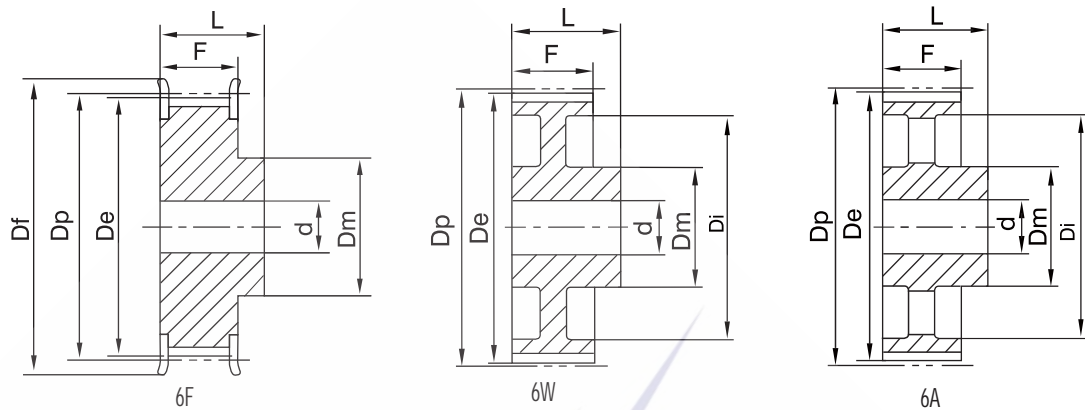
直孔 XH200(22.225mm)



型号	齿数	结构	材料	Dp	De	Df	Dm	F	L	d
18-XH-200	18	6F	STEEL	127.34	124.55	150	100	65	80	24
19-XH-200	19	6F	STEEL	134.41	131.62	158	100	65	80	24
20-XH-200	20	6F	STEEL	141.49	138.70	168	100	65	80	24
21-XH-200	21	6F	STEEL	148.56	145.77	168	110	65	80	24
22-XH-200	22	6F	STEEL	155.64	152.84	175	110	65	80	24
23-XH-200	23	6F	STEEL	162.70	159.91	175	120	65	80	24
24-XH-200	24	6F	STEEL	169.79	166.99	192	120	65	80	24
25-XH-200	25	6F	STEEL	176.86	174.07	200	120	65	80	24
26-XH-200	26	6F	STEEL	183.93	181.14	205	120	65	80	24
27-XH-200	27	6F	STEEL	191.01	188.22	205	120	65	80	24
28-XH-200	28	6F	STEEL	198.09	195.29	211	120	65	80	24
30-XH-200	30	6F	STEEL	212.23	209.44	226	120	65	80	24
32-XH-200	32	6F	STEEL	226.38	223.59	240	120	65	80	24
34-XH-200	34	6F	STEEL	240.53	237.74	256	120	65	80	24
38-XH-200	38	6W	CAST IRON	268.83	266.03	-	150	65	80	28
40-XH-200	40	6W	CAST IRON	282.98	280.18	-	150	65	100	28
46-XH-200	46	6A	CAST IRON	325.42	322.63	-	150	65	100	28
48-XH-200	48	6A	CAST IRON	339.57	336.78	-	150	65	100	28
57-XH-200	57	6A	CAST IRON	403.24	400.45	-	150	65	100	28
58-XH-200	58	6A	CAST IRON	410.32	407.52	-	150	65	100	28
60-XH-200	60	6A	CAST IRON	424.47	421.67	-	150	65	100	28
70-XH-200	70	6A	CAST IRON	495.21	492.42	-	150	65	100	28
72-XH-200	72	6A	CAST IRON	509.36	506.56	-	160	65	100	30
78-XH-200	78	6A	CAST IRON	551.81	549.01	-	160	65	100	30
80-XH-200	80	6A	CAST IRON	565.95	563.16	-	160	65	100	30
82-XH-200	82	6A	CAST IRON	580.10	577.31	-	160	65	100	30
84-XH-200	84	6A	CAST IRON	594.25	591.46	-	160	65	100	30
94-XH-200	94	6A	CAST IRON	665.00	662.20	-	160	65	100	30
96-XH-200	96	6A	CAST IRON	679.15	676.35	-	160	65	100	30
118-XH-200	118	6A	CAST IRON	834.78	831.99	-	160	65	100	30
120-XH-200	120	6A	CAST IRON	848.93	846.14	-	160	65	100	30



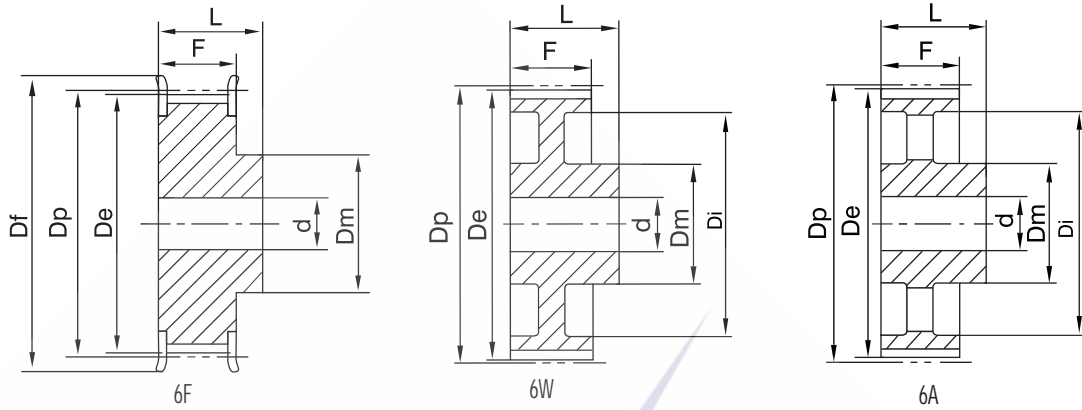
直孔 XH300(22.225mm)



型号	齿数	结构	材料	Dp	De	Df	Dm	F	L	d
18-XH-300	18	6F	STEEL	127.34	124.55	150	100	92	110	28
19-XH-300	19	6F	STEEL	134.41	131.62	158	100	92	110	28
20-XH-300	20	6F	STEEL	141.49	138.69	168	100	92	110	28
21-XH-300	21	6F	STEEL	148.56	145.77	168	110	92	110	28
22-XH-300	22	6F	STEEL	155.64	152.84	175	110	92	110	28
23-XH-300	23	6F	STEEL	162.70	159.91	175	120	92	110	28
24-XH-300	24	6F	STEEL	169.79	166.99	192	120	92	110	28
25-XH-300	25	6F	STEEL	176.86	174.07	200	120	92	110	28
26-XH-300	26	6F	STEEL	183.93	181.14	205	120	92	110	28
27-XH-300	27	6F	STEEL	191.01	188.22	205	120	92	110	28
28-XH-300	28	6F	STEEL	198.09	195.29	211	150	92	110	28
30-XH-300	30	6F	STEEL	212.23	209.44	226	150	92	110	28
32-XH-300	32	6F	STEEL	226.38	223.59	240	150	92	110	28
34-XH-300	34	6F	STEEL	240.53	237.74	256	150	92	110	28
38-XH-300	38	6W	CAST IRON	268.83	266.03	-	150	92	120	30
40-XH-300	40	6W	CAST IRON	282.98	280.18	-	150	92	120	30
46-XH-300	46	6A	CAST IRON	325.42	322.63	-	175	92	120	30
48-XH-300	48	6A	CAST IRON	339.57	336.78	-	175	92	120	30
58-XH-300	58	6A	CAST IRON	410.32	407.52	-	175	92	120	30
60-XH-300	60	6A	CAST IRON	424.47	421.67	-	175	92	120	30
70-XH-300	70	6A	CAST IRON	495.21	492.42	-	175	92	120	30
72-XH-300	72	6A	CAST IRON	509.36	506.56	-	175	92	120	30
78-XH-300	78	6A	CAST IRON	551.81	549.01	-	175	92	120	30
80-XH-300	80	6A	CAST IRON	565.95	563.16	-	175	92	120	30
82-XH-300	82	6A	CAST IRON	580.10	577.31	-	175	92	120	30
84-XH-300	84	6A	CAST IRON	594.25	591.46	-	175	92	120	30
94-XH-300	94	6A	CAST IRON	665.00	662.20	-	175	92	120	30
96-XH-300	96	6A	CAST IRON	679.15	676.35	-	175	92	120	30
118-XH-300	118	6A	CAST IRON	834.78	831.99	-	175	92	120	30
120-XH-300	120	6A	CAST IRON	848.93	846.14	-	175	92	120	30



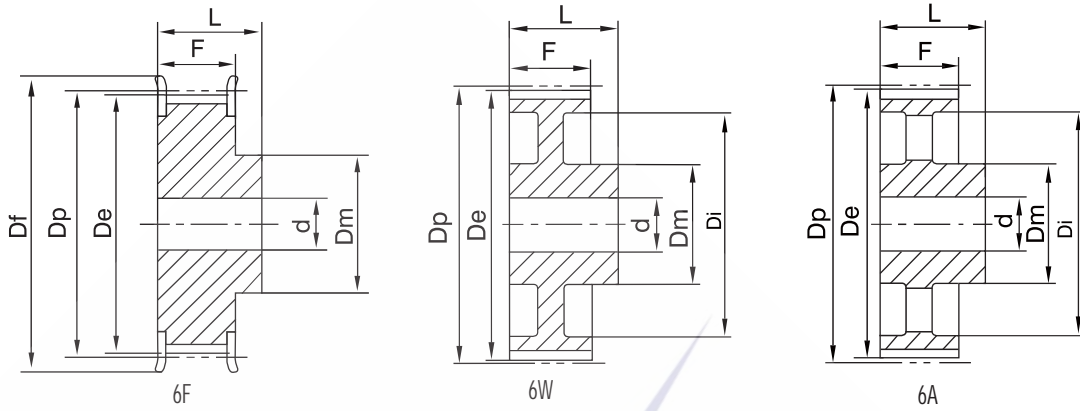
直孔 XH400(22.225mm)



型号	齿数	结构	材料	Dp	De	Df	Dm	F	L	d
18-XH-400	18	6F	STEEL	127.34	124.55	150	100	119	132	32
19-XH-400	19	6F	STEEL	134.41	131.62	158	100	119	132	32
20-XH-400	20	6F	STEEL	141.49	138.69	168	100	119	132	32
21-XH-400	21	6F	STEEL	148.56	145.77	168	110	119	132	32
22-XH-400	22	6F	STEEL	155.64	152.84	175	110	119	132	32
23-XH-400	23	6F	STEEL	162.72	159.92	175	120	119	132	32
24-XH-400	24	6F	STEEL	169.79	166.99	192	120	119	132	32
25-XH-400	25	6F	STEEL	176.86	174.07	200	120	119	132	32
26-XH-400	26	6F	STEEL	183.93	181.14	205	120	119	132	32
27-XH-400	27	6F	STEEL	191.01	188.22	205	120	119	132	32
28-XH-400	28	6F	STEEL	198.09	195.29	211	150	119	132	32
30-XH-400	30	6F	STEEL	212.23	209.44	226	150	119	132	32
32-XH-400	32	6F	STEEL	226.38	223.59	240	150	119	132	32
34-XH-400	34	6F	STEEL	240.53	237.74	256	150	119	132	32
38-XH-400	38	6W	CAST IRON	268.83	266.03	-	150	119	132	30
40-XH-400	40	6W	CAST IRON	282.98	280.18	-	150	119	132	30
46-XH-400	46	6A	CAST IRON	325.42	322.63	-	175	119	132	30
48-XH-400	48	6A	CAST IRON	339.57	336.78	-	175	119	132	30
58-XH-400	58	6A	CAST IRON	410.32	407.52	-	175	119	132	30
60-XH-400	60	6A	CAST IRON	424.47	421.67	-	175	119	132	30
70-XH-400	70	6A	CAST IRON	495.21	492.42	-	175	119	132	30
72-XH-400	72	6A	CAST IRON	509.36	506.56	-	175	119	132	30
78-XH-400	78	6A	CAST IRON	551.81	549.01	-	175	119	132	30
80-XH-400	80	6A	CAST IRON	565.95	563.16	-	175	119	132	30
82-XH-400	82	6A	CAST IRON	580.10	577.31	-	175	119	132	30
84-XH-400	84	6A	CAST IRON	594.25	591.46	-	175	119	132	30
94-XH-400	94	6A	CAST IRON	665.00	662.20	-	175	119	132	30
96-XH-400	96	6A	CAST IRON	679.15	676.35	-	175	119	132	30
118-XH-400	118	6A	CAST IRON	834.78	831.99	-	175	119	132	30
120-XH-400	120	6A	CAST IRON	848.93	846.14	-	175	119	132	30



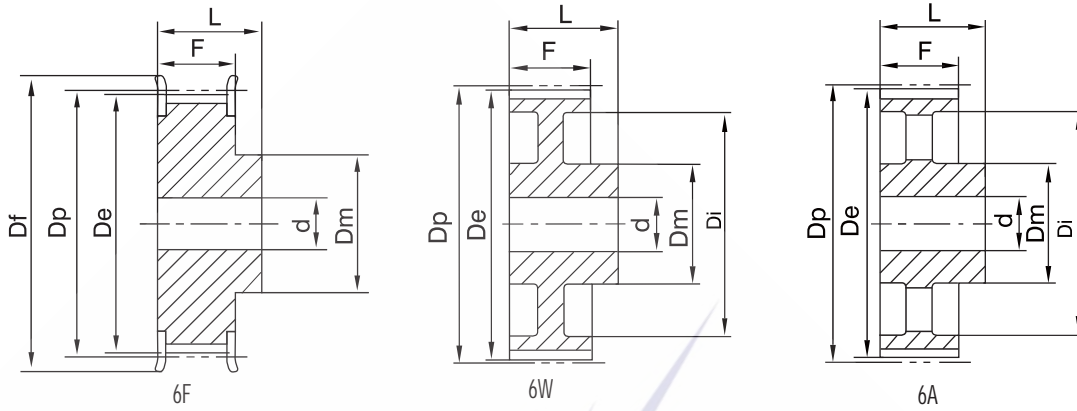
直孔 XXH200(31.750mm)



型号	齿数	结构	材料	Dp	De	Df	Dm	F	L	d
18-XXH-200	18	6F	STEEL	181.91	178.87	200	140	64.2	100	28
19-XXH-200	19	6F	STEEL	192.02	188.97	205	140	64.2	100	28
20-XXH-200	20	6F	STEEL	202.13	199.08	211	150	64.2	100	28
21-XXH-200	21	6F	STEEL	212.23	209.19	226	150	64.2	100	28
22-XXH-200	22	6F	STEEL	222.34	219.29	240	150	64.2	100	28
24-XXH-200	24	6W	CAST IRON	242.55	239.50	-	150	64.2	100	28
25-XXH-200	25	6W	CAST IRON	252.66	249.61	-	150	64.2	100	28
26-XXH-200	26	6W	CAST IRON	262.76	259.79	-	150	64.2	110	28
27-XXH-200	27	6W	CAST IRON	272.87	269.82	-	150	64.2	110	28
30-XXH-200	30	6W	CAST IRON	303.19	300.14	-	150	64.2	100	28
40-XXH-200	40	6A	CAST IRON	404.25	401.21	-	150	64.2	100	28
48-XXH-200	48	6A	CAST IRON	485.10	482.06	-	175	64.2	120	30
60-XXH-200	60	6A	CAST IRON	606.38	603.33	-	175	64.2	120	30
72-XXH-200	72	6A	CAST IRON	727.66	724.61	-	175	64.2	120	35
90-XXH-200	90	6A	CAST IRON	909.57	906.52	-	175	64.2	120	35



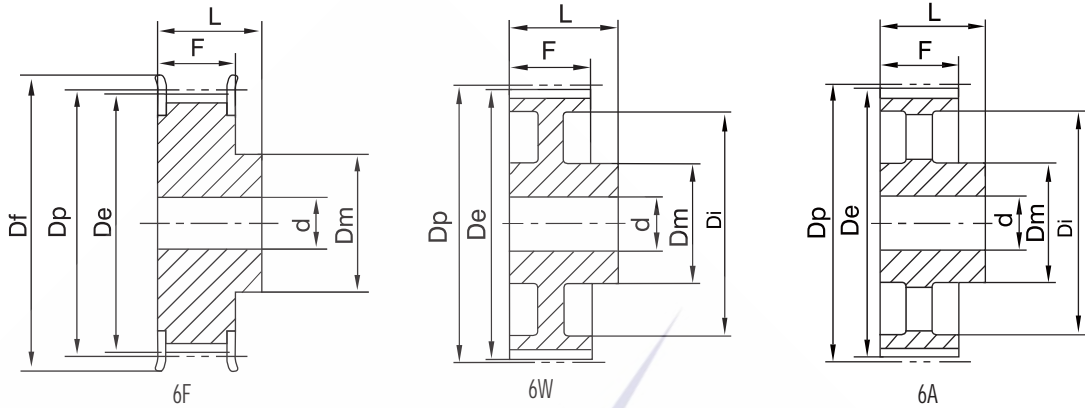
直孔 XXH300(31.750mm)



型号	齿数	结构	材料	Dp	De	Df	Dm	F	L	d
18-XXH-300	18	6F	STEEL	181.91	178.87	200	140	91.4	110	28
19-XXH-300	19	6F	STEEL	192.02	188.97	205	150	91.4	110	28
20-XXH-300	20	6F	STEEL	202.13	199.08	211	150	91.4	110	28
21-XXH-300	21	6F	STEEL	212.13	209.19	226	150	91.4	110	28
22-XXH-300	22	6F	STEEL	222.34	219.29	240	150	91.4	110	28
24-XXH-300	24	6W	CAST IRON	242.55	239.50	-	150	91.4	110	28
25-XXH-300	25	6W	CAST IRON	252.66	249.61	-	150	91.4	110	28
26-XXH-300	26	6W	CAST IRON	262.76	259.79	-	150	91.4	110	28
27-XXH-300	27	6W	CAST IRON	272.87	269.82	-	150	91.4	110	28
30-XXH-300	30	6W	CAST IRON	303.19	300.14	-	150	91.4	110	28
40-XXH-300	40	6A	CAST IRON	404.25	401.21	-	150	91.4	110	28
48-XXH-300	48	6A	CAST IRON	485.10	482.06	-	175	91.4	120	30
60-XXH-300	60	6A	CAST IRON	606.38	603.33	-	175	91.4	120	30
72-XXH-300	72	6A	CAST IRON	727.66	724.61	-	175	91.4	120	35
90-XXH-300	90	6A	CAST IRON	909.57	906.52	-	175	91.4	120	35



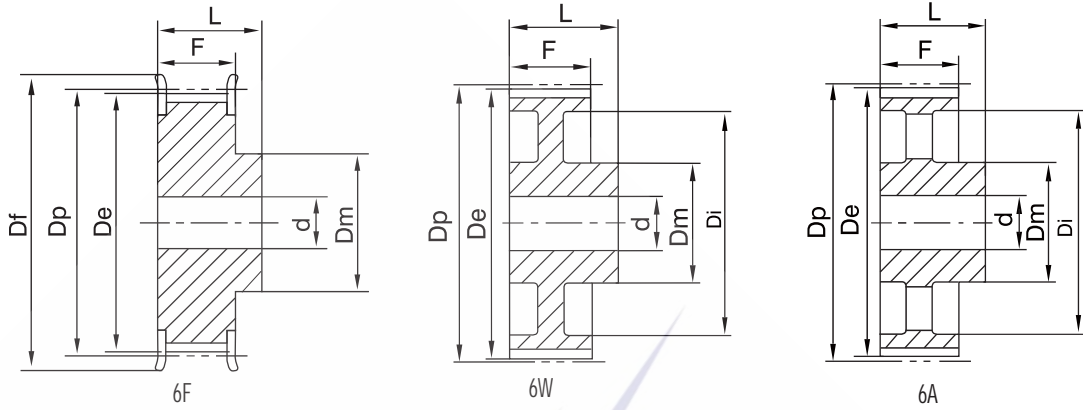
直孔 XXH400(31.750mm)



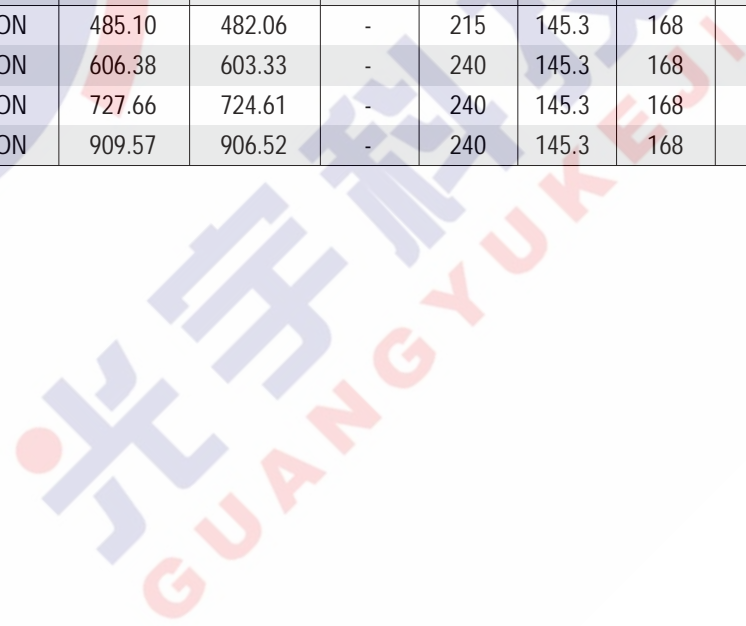
型号	齿数	结构	材料	Dp	De	Df	Dm	F	L	d
18-XXH-400	18	6F	STEEL	181.91	178.87	200	140	118	140	30
19-XXH-400	19	6F	STEEL	192.02	188.97	205	150	118	140	30
20-XXH-400	20	6F	STEEL	202.13	199.08	211	150	118	140	30
21-XXH-400	21	6F	STEEL	212.23	209.19	226	150	118	140	30
22-XXH-400	22	6F	STEEL	222.34	219.29	240	150	118	140	30
24-XXH-400	24	6W	CAST IRON	242.55	239.50	-	150	118	140	30
26-XXH-400	26	6W	CAST IRON	262.76	259.79	-	150	118	140	30
27-XXH-400	27	6W	CAST IRON	272.87	269.82	-	185	118	140	30
30-XXH-400	30	6W	CAST IRON	303.19	300.14	-	185	118	140	30
40-XXH-400	40	6A	CAST IRON	404.25	401.21	-	185	118	140	30
48-XXH-400	48	6A	CAST IRON	485.10	482.06	-	185	118	140	30
60-XXH-400	60	6A	CAST IRON	606.38	603.33	-	185	118	140	35
72-XXH-400	72	6A	CAST IRON	727.66	724.61	-	220	118	140	35
90-XXH-400	90	6A	CAST IRON	909.57	906.52	-	220	118	140	35



直孔 XXH500(31.750mm)

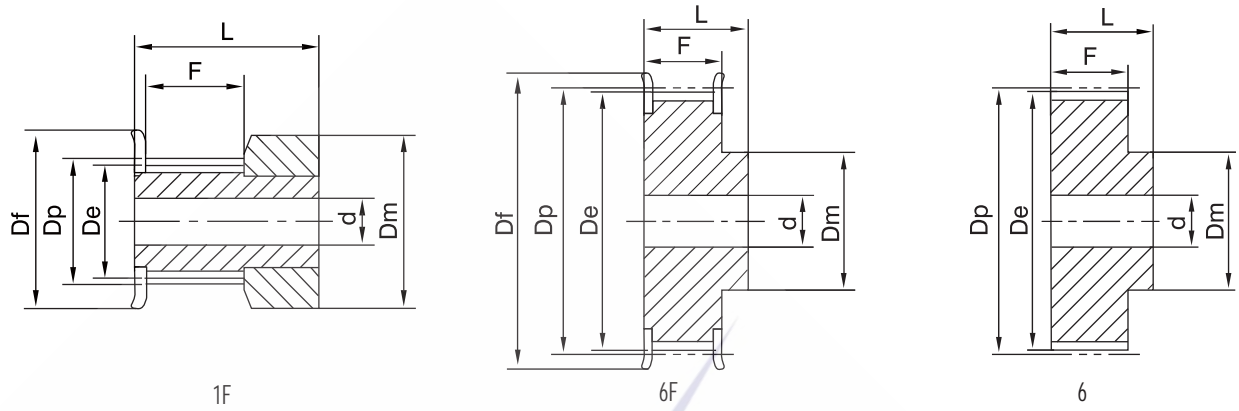


型号	齿数	结构	材料	Dp	De	Df	Dm	F	L	d
18-XXH-500	18	6F	STEEL	181.91	178.87	200	140	145.3	168	30
19-XXH-500	19	6F	STEEL	192.02	188.97	205	150	145.3	168	30
20-XXH-500	20	6F	STEEL	202.13	199.08	211	150	145.3	168	30
21-XXH-500	21	6F	STEEL	212.23	209.19	226	150	145.3	168	30
22-XXH-500	22	6F	STEEL	222.34	219.29	240	150	145.3	168	30
24-XXH-500	24	6W	CAST IRON	242.55	239.50	-	150	145.3	168	30
26-XXH-500	26	6W	CAST IRON	262.76	259.79	-	150	145.3	168	30
27-XXH-500	27	6W	CAST IRON	272.87	269.82	-	215	145.3	168	30
30-XXH-500	30	6W	CAST IRON	303.19	300.14	-	215	145.3	168	30
40-XXH-500	40	6A	CAST IRON	404.25	401.21	-	215	145.3	168	30
48-XXH-500	48	6A	CAST IRON	485.10	482.06	-	215	145.3	168	35
60-XXH-500	60	6A	CAST IRON	606.38	603.33	-	240	145.3	168	35
72-XXH-500	72	6A	CAST IRON	727.66	724.61	-	240	145.3	168	35
90-XXH-500	90	6A	CAST IRON	909.57	906.52	-	240	145.3	168	35





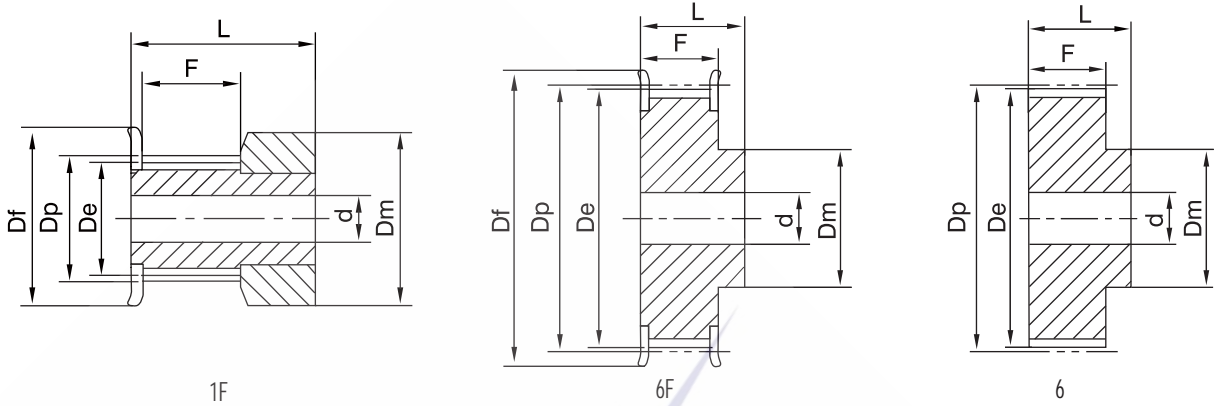
直孔 HTD 3M-06



型号	齿数	结构	材料	D_p	D_e	D_f	D_m	F	L	d
10-3M-06	10	1F	AL	9.55	8.79	13	13	7.2	14.5	3
12-3M-06	12	1F	AL	11.46	10.70	15	15	7.2	14.5	4
14-3M-06	14	1F	AL	13.37	12.61	16	16	7.2	14.5	4
15-3M-06	15	1F	AL	14.32	13.56	17.5	17.5	7.2	14.5	4
16-3M-06	16	6F	AL	15.28	14.52	18	10	9.8	17.5	6
18-3M-06	18	6F	AL	17.19	16.43	19.5	11	9.8	17.5	6
20-3M-06	20	6F	AL	19.10	18.34	23	13	9.8	17.5	6
21-3M-06	21	6F	AL	20.05	19.29	25	14	9.8	17.5	6
22-3M-06	22	6F	AL	21.01	20.25	25	14	9.8	17.5	6
24-3M-06	24	6F	AL	22.92	22.16	25	14	9.8	17.5	6
26-3M-06	26	6F	AL	24.83	24.07	28	16.0	9.8	17.5	6
28-3M-06	28	6F	AL	26.74	25.98	32	18.0	9.8	17.5	6
30-3M-06	30	6F	AL	28.65	27.89	32	20	9.8	17.5	6
32-3M-06	32	6F	AL	30.56	29.80	37	22.0	9.8	17.5	6
36-3M-06	36	6F	AL	34.38	33.62	38	25.0	10.3	18.0	6
40-3M-06	40	6F	AL	38.20	37.44	43	28	10.3	18.0	6
44-3M-06	44	6F	AL	42.02	41.26	48	33.0	10.3	18.0	6
48-3M-06	48	6	AL	45.84	45.08	-	33.0	10.3	18.6	8
60-3M-06	60	6	AL	57.30	56.54	-	33.0	10.3	18.6	8
72-3M-06	72	6	AL	68.75	67.99	-	33.0	10.3	18.6	8



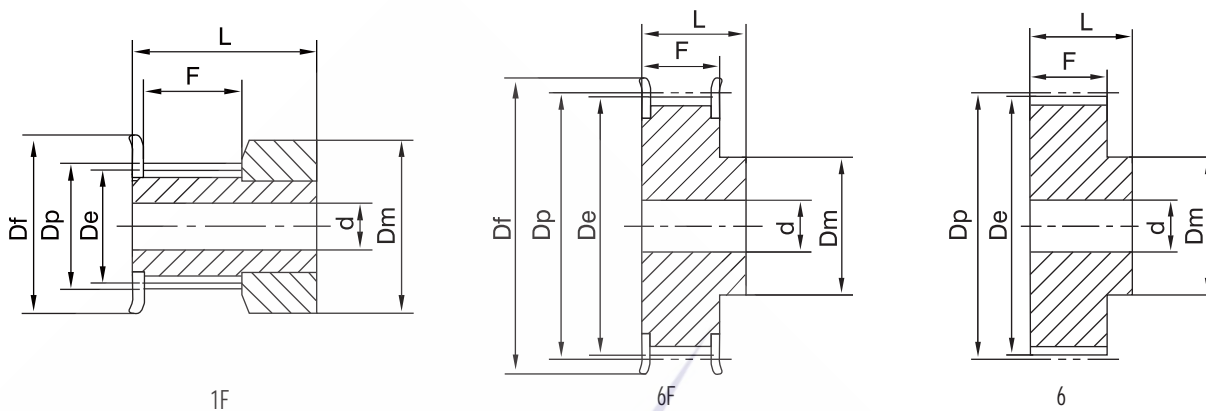
直孔 HTD 3M-09



型号	齿数	结构	材料	Dp	De	Df	Dm	F	L	d
10-3M-09	10	1F	AL	9.55	8.79	13	12	10.2	17.5	3
12-3M-09	12	1F	AL	11.46	10.70	15	15	10.2	17.5	4
14-3M-09	14	1F	AL	13.37	12.61	16	16	10.2	17.5	4
15-3M-09	15	1F	AL	14.32	13.56	17.5	17.5	10.2	17.5	4
16-3M-09	16	6F	AL	15.28	14.52	18	10	12.8	20.6	4
18-3M-09	18	6F	AL	17.19	16.43	19.5	11	12.8	20.6	6
20-3M-09	20	6F	AL	19.10	18.34	23	13	12.8	20.6	6
21-3M-09	21	6F	AL	20.05	19.29	25	14	12.8	20.6	6
22-3M-09	22	6F	AL	21.01	20.25	25	14	12.8	20.6	6
24-3M-09	24	6F	AL	22.92	22.16	25	14	12.8	20.6	6
26-3M-09	26	6F	AL	24.83	24.07	28	16	12.8	20.6	6
28-3M-09	28	6F	AL	26.74	25.98	32	18	12.8	20.6	6
30-3M-09	30	6F	AL	28.65	27.89	32	20	12.8	20.6	6
32-3M-09	32	6F	AL	30.56	29.80	37	22	12.8	20.6	6
36-3M-09	36	6F	AL	34.38	33.62	38	26	13.4	22.2	6
40-3M-09	40	6F	AL	38.20	37.44	43	28	13.4	22.2	6
44-3M-09	44	6F	AL	42.02	41.26	48	33	13.4	22.2	6
48-3M-09	48	6	AL	45.84	45.08	-	33	13.4	22.2	8
60-3M-09	60	6	AL	57.30	56.54	-	33	13.4	22.2	8
72-3M-09	72	6	AL	68.76	68.00	-	33	13.4	22.2	8



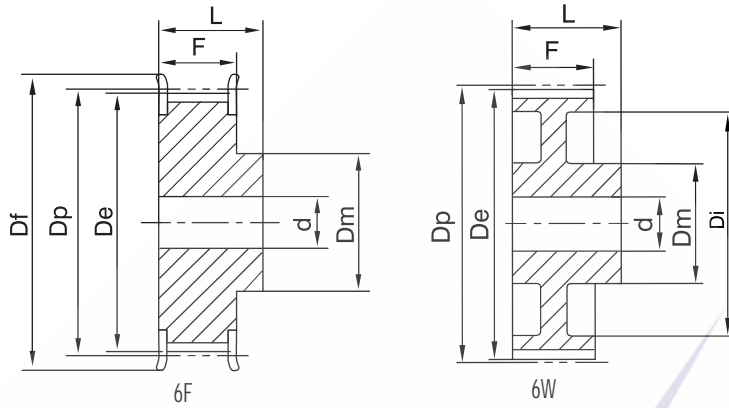
直孔 HTD 3M-15



型号	齿数	结构	材料	Dp	De	Df	Dm	F	L	d
10-3M-15	10	1F	AL	9.55	8.79	13	12	17	26	3
12-3M-15	12	1F	AL	11.46	10.70	15	15	17	26	4
14-3M-15	14	1F	AL	13.37	12.61	16	16	17	26	4
15-3M-15	15	1F	AL	14.32	13.56	17.5	17.5	17	26	4
16-3M-15	16	6F	AL	15.28	14.52	18	10	19.5	26	4
18-3M-15	18	6F	AL	17.19	16.43	19.5	11	19.5	26	6
20-3M-15	20	6F	AL	19.10	18.34	23	13	19.5	26	6
21-3M-15	21	6F	AL	20.05	19.29	25	14	19.5	26	6
22-3M-15	22	6F	AL	21.01	20.25	25	14	19.5	26	6
24-3M-15	24	6F	AL	22.92	22.16	25	14	19.5	26	6
26-3M-15	26	6F	AL	24.83	24.07	28	16	19.5	26	6
28-3M-15	28	6F	AL	26.74	25.98	32	18	19.5	26	6
30-3M-15	30	6F	AL	28.65	27.89	32	20	19.5	26	6
32-3M-15	32	6F	AL	30.56	29.80	37	22	19.5	26	6
36-3M-15	36	6F	AL	34.38	33.62	38	26	20	30	6
40-3M-15	40	6F	AL	38.20	37.44	43	28	20	30	6
44-3M-15	44	6F	AL	42.02	41.26	48	33	20	30	6
48-3M-15	48	6	AL	45.84	45.08	-	33	20	30	8
60-3M-15	60	6	AL	57.30	56.54	-	33	20	30	8
72-3M-15	72	6	AL	68.76	68.00	-	33	20	30	8



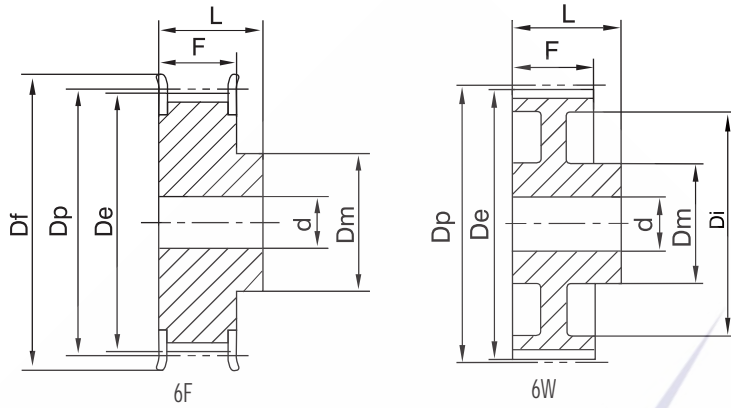
直孔 HTD 5M-09



型号	齿数	结构	材料	DP	De	Df	Dm	Di	F	L	d
12-5M-09	12	6F	STEEL	19.10	17.96	23	12.5	-	14.5	20	6
14-5M-09	14	6F	STEEL	22.28	21.14	25	13.5	-	14.5	20	6
15-5M-09	15	6F	STEEL	23.87	22.73	28	15.5	-	14.5	20	6
16-5M-09	16	6F	STEEL	25.46	24.32	28	16.5	-	14.5	20	6
18-5M-09	18	6F	STEEL	28.65	27.51	32	20	-	14.5	20	6
20-5M-09	20	6F	STEEL	31.83	30.69	37	23	-	14.5	22.5	6
21-5M-09	21	6F	STEEL	33.42	32.28	38	24	-	14.5	22.5	6
22-5M-09	22	6F	STEEL	35.01	33.87	38	25.5	-	14.5	22.5	6
24-5M-09	24	6F	STEEL	38.20	37.06	43	27	-	14.5	22.5	6
26-5M-09	26	6F	STEEL	41.38	40.24	44	30	-	14.5	22.5	6
28-5M-09	28	6F	STEEL	44.56	43.42	48	30.5	-	14.5	22.5	6
30-5M-09	30	6F	STEEL	47.75	46.60	51	35	-	14.5	22.5	6
32-5M-09	32	6F	STEEL	50.93	49.79	54	38	-	14.5	22.5	8
36-5M-09	36	6F	STEEL	57.30	56.16	60	38	-	14.5	22.5	8
40-5M-09	40	6F	STEEL	63.66	62.52	70	38	-	14.5	22.5	8
44-5M-09	44	6W	AL	70.03	68.89	-	38	54	14.5	25.5	8
48-5M-09	48	6W	AL	76.39	75.25	-	45	61	14.5	25.5	8
60-5M-09	60	6W	AL	95.49	94.35	-	45	80	14.5	25.5	8
72-5M-09	72	6W	AL	114.59	113.45	-	45	100	14.5	25.5	8



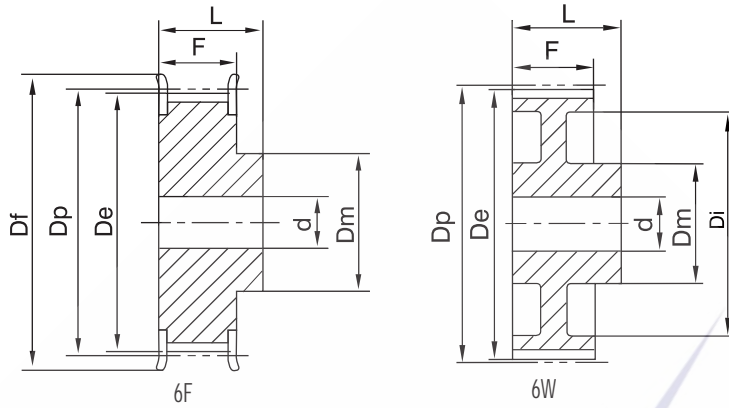
直孔 HTD 5M-15



型号	齿数	结构	材料	Dp	De	Df	Dm	Di	F	L	d
12-5M-15	12	6F	STEEL	19.10	17.96	23	13	-	20.5	26	6
14-5M-15	14	6F	STEEL	22.28	21.14	25	14	-	20.5	26	6
15-5M-15	15	6F	STEEL	23.87	22.73	28	16	-	20.5	26	6
16-5M-15	16	6F	STEEL	25.46	24.32	28	16.5	-	20.5	26	6
18-5M-15	18	6F	STEEL	28.65	27.51	32	20	-	20.5	26	6
20-5M-15	20	6F	STEEL	31.83	30.69	37	23	-	20.5	26	6
21-5M-15	21	6F	STEEL	33.42	32.28	38	24	-	20.5	26	6
22-5M-15	22	6F	STEEL	35.01	33.87	38	25.5	-	20.5	26	6
24-5M-15	24	6F	STEEL	38.20	37.06	43	27	-	20.5	28	6
26-5M-15	26	6F	STEEL	41.38	40.24	44	30	-	20.5	28	6
28-5M-15	28	6F	STEEL	44.56	43.42	48	30.5	-	20.5	28	6
30-5M-15	30	6F	STEEL	47.75	46.60	51	35	-	20.5	28	6
32-5M-15	32	6F	STEEL	50.93	49.79	54	38	-	20.5	28	8
36-5M-15	36	6F	STEEL	57.30	56.16	60	38	-	20.5	28	8
40-5M-15	40	6F	STEEL	63.66	62.52	70	38	-	20.5	28	8
44-5M-15	44	6W	AL	70.03	68.89	-	38	54	20.5	30	8
48-5M-15	48	6W	AL	76.39	75.25	-	38	61	20.5	30	8
60-5M-15	60	6W	AL	95.49	94.35	-	50	80	20.5	30	8
72-5M-15	72	6W	AL	114.59	113.45	-	50	100	20.5	30	8



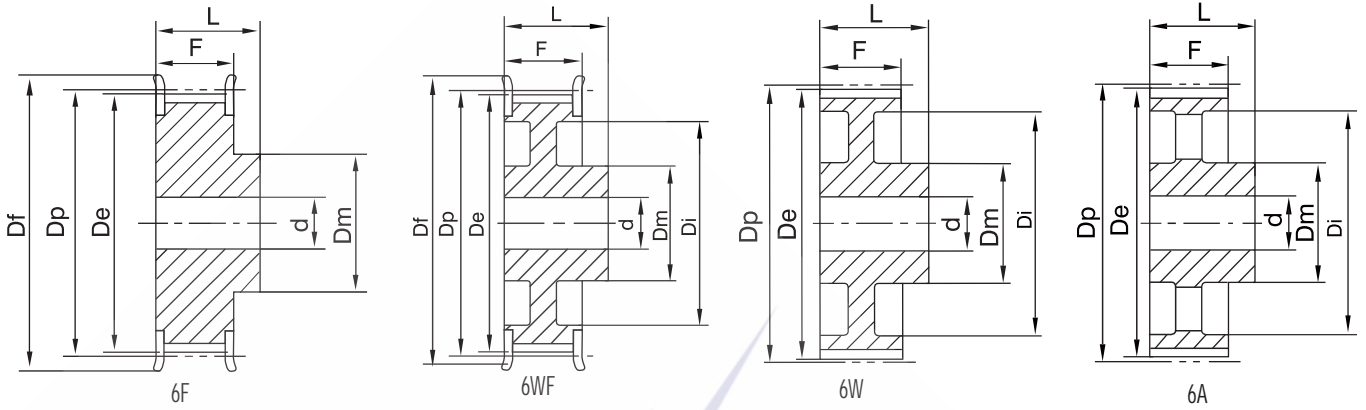
直孔 HTD 5M-25



型号	齿数	结构	材料	Dp	De	Df	Dm	Di	F	L	d
12-5M-25	12	6F	STEEL	19.10	17.96	23	13	-	30.5	36	6
14-5M-25	14	6F	STEEL	22.28	21.14	25	14	-	30.5	36	6
15-5M-25	15	6F	STEEL	23.87	22.73	28	16	-	30.5	36	6
16-5M-25	16	6F	STEEL	25.46	24.32	28	16.5	-	30.5	36	6
18-5M-25	18	6F	STEEL	28.65	27.51	32	20	-	30.5	36	6
20-5M-25	20	6F	STEEL	31.83	30.69	37	23	-	30.5	36	6
21-5M-25	21	6F	STEEL	33.42	32.28	38	24	-	30.5	38	6
22-5M-25	22	6F	STEEL	35.01	33.87	38	25.5	-	30.5	38	6
24-5M-25	24	6F	STEEL	38.20	37.06	43	27	-	30.5	38	6
26-5M-25	26	6F	STEEL	41.38	40.24	44	30	-	30.5	38	6
28-5M-25	28	6F	STEEL	44.56	43.42	48	30.5	-	30.5	38	6
30-5M-25	30	6F	STEEL	47.75	46.60	51	35	-	30.5	38	6
32-5M-25	32	6F	STEEL	50.93	49.79	54	38	-	30.5	38	8
36-5M-25	36	6F	STEEL	57.30	56.16	60	38	-	30.5	38	8
40-5M-25	40	6F	STEEL	63.66	62.52	70	38	-	30.5	38	8
44-5M-25	44	6W	AL	70.03	68.89	-	38	54	30.5	40	8
48-5M-25	48	6W	AL	76.39	75.25	-	38	61	30.5	40	8
60-5M-25	60	6W	AL	95.49	94.35	-	50	80	30.5	40	8
72-5M-25	72	6W	AL	114.59	113.45	-	50	100	30.5	40	8



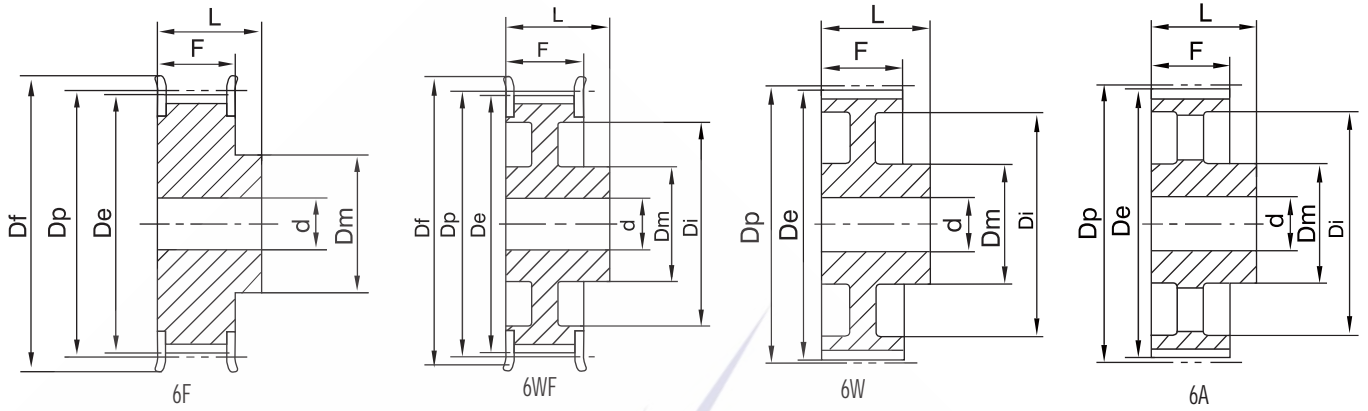
直孔 HTD 8M-20



型号	齿数	结构	材料	DP	De	Df	Dm	Di	F	L	d
22-8M-20	22	6F	STEEL	56.02	54.65	60	43	-	28	38	12
24-8M-20	24	6F	STEEL	61.11	59.74	67	45	-	28	38	12
26-8M-20	26	6F	STEEL	66.21	64.84	70	48	-	28	38	12
28-8M-20	28	6F	STEEL	71.30	70.08	75	50	-	28	38	14
30-8M-20	30	6F	STEEL	76.39	75.13	83	55	-	28	38	14
32-8M-20	32	6F	STEEL	81.49	80.16	87	60	-	28	38	14
34-8M-20	34	6F	STEEL	86.58	85.21	91	66	-	28	38	14
36-8M-20	36	6F	STEEL	91.67	90.30	97	70	-	28	38	14
38-8M-20	38	6F	STEEL	96.77	95.39	102	75	-	28	38	14
40-8M-20	40	6F	STEEL	101.86	100.49	112	75	-	28	38	14
44-8M-20	44	6F	STEEL	112.05	110.67	120	75	-	28	38	14
48-8M-20	48	6F	STEEL	122.23	120.86	128	75	-	28	38	14
56-8M-20	56	6WF	STEEL	142.60	141.23	150	80	116	28	38	14
64-8M-20	64	6WF	STEEL	162.97	161.60	168	80	137	28	38	14
72-8M-20	72	6WF	STEEL	183.35	181.97	192	80	158	28	38	14
80-8M-20	80	6W	CAST IRON	203.72	202.35	-	90	180	28	38	14
90-8M-20	90	6W	CAST IRON	229.18	227.81	-	90	204	28	38	14
112-8M-20	112	6A	CAST IRON	285.21	283.83	-	90	254	28	38	18
144-8M-20	144	6A	CAST IRON	366.69	365.32	-	90	336	28	38	20
168-8M-20	168	6A	CAST IRON	427.81	426.44	-	100	400	28	38	20
192-8M-20	192	6A	CAST IRON	488.92	487.55	-	100	460	28	38	20



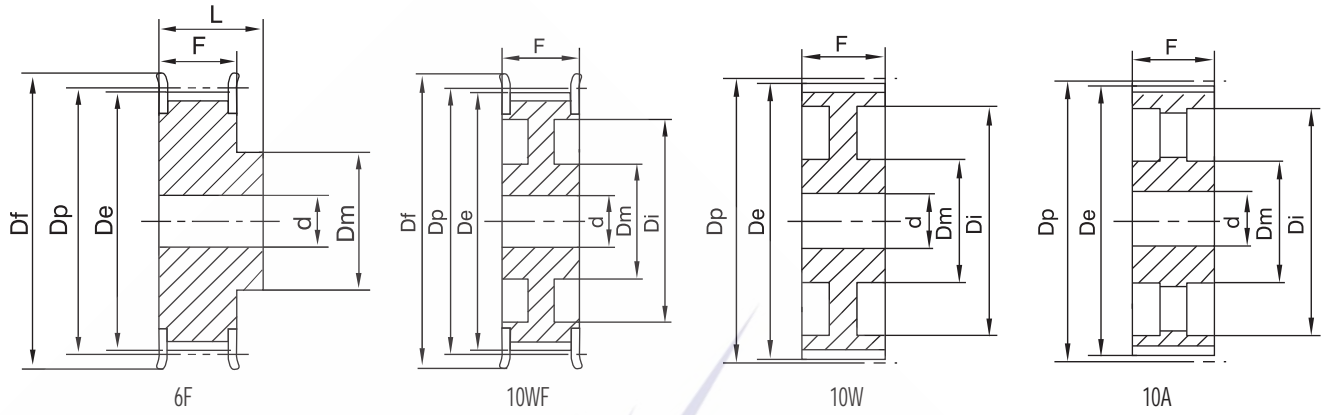
直孔 HTD 8M-30



型号	齿数	结构	材料	DP	De	Df	Dm	Di	F	L	d
22-8M-30	22	6F	STEEL	56.02	54.65	60	43	-	38	48	12
24-8M-30	24	6F	STEEL	61.11	59.74	67	45	-	38	48	12
26-8M-30	26	6F	STEEL	66.21	64.85	70	48	-	38	48	12
28-8M-30	28	6F	STEEL	71.30	70.08	75	50	-	38	48	14
30-8M-30	30	6F	STEEL	76.39	75.13	83	55	-	38	48	14
32-8M-30	32	6F	STEEL	81.49	80.16	87	60	-	38	48	14
34-8M-30	34	6F	STEEL	86.58	85.21	91	66	-	38	48	14
36-8M-30	36	6F	STEEL	91.67	90.30	97	70	-	38	48	14
38-8M-30	38	6F	STEEL	96.77	95.39	102	75	-	38	48	14
40-8M-30	40	6F	STEEL	101.86	100.49	112	75	-	38	48	14
44-8M-30	44	6F	STEEL	112.05	110.67	120	75	-	38	48	14
48-8M-30	48	6F	STEEL	122.23	120.86	128	75	-	38	48	14
56-8M-30	56	6WF	STEEL	142.60	141.23	150	90	116	38	48	14
64-8M-30	64	6WF	STEEL	162.97	161.60	168	90	137	38	48	14
72-8M-30	72	6WF	STEEL	183.35	181.97	192	95	158	38	48	14
80-8M-30	80	6W	CAST IRON	203.72	202.35	-	100	180	38	48	14
90-8M-30	90	6W	CAST IRON	229.18	227.81	-	100	204	38	48	14
112-8M-30	112	6A	CAST IRON	285.21	283.83	-	100	254	38	48	18
144-8M-30	144	6A	CAST IRON	366.69	365.32	-	100	336	38	48	20
168-8M-30	168	6A	CAST IRON	427.81	426.44	-	100	400	38	48	20
192-8M-30	192	6A	CAST IRON	488.92	487.55	-	100	460	38	48	20



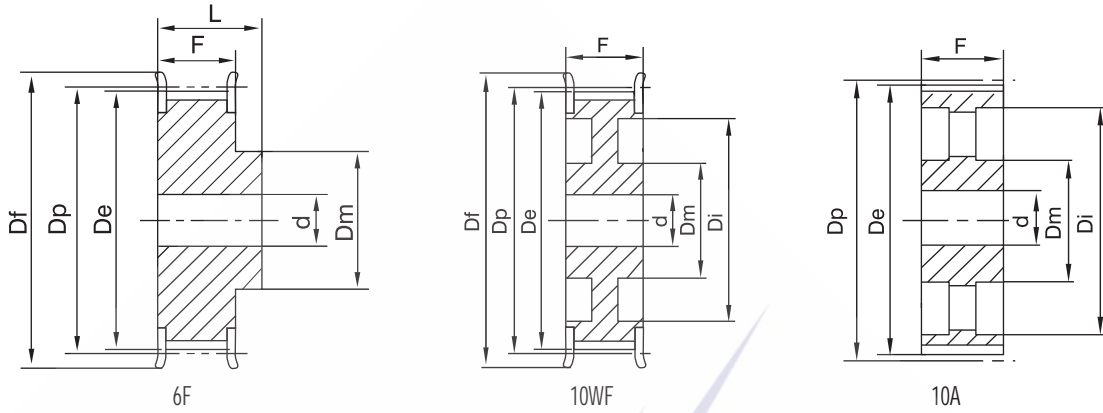
直孔 HTD 8M-50



型号	齿数	结构	材料	DP	De	Df	Dm	Di	F	L	d
22-8M-50	22	6F	STEEL	56.02	54.65	60	43	-	60	70	12
24-8M-50	24	6F	STEEL	61.11	59.74	67	45	-	60	70	12
26-8M-50	26	6F	STEEL	66.21	64.84	70	48	-	60	70	12
28-8M-50	28	6F	STEEL	71.30	70.08	75	50	-	60	70	14
30-8M-50	30	6F	STEEL	76.39	75.13	83	55	-	60	70	14
32-8M-50	32	6F	STEEL	81.49	80.16	87	60	-	60	70	14
34-8M-50	34	6F	STEEL	86.58	85.21	91	66	-	60	70	14
36-8M-50	36	6F	STEEL	91.67	90.30	97	70	-	60	70	14
38-8M-50	38	6F	STEEL	96.77	95.39	102	75	-	60	70	14
40-8M-50	40	6F	STEEL	101.86	100.49	112	75	-	60	70	14
44-8M-50	44	6F	STEEL	112.05	110.67	120	75	-	60	70	14
48-8M-50	48	6F	STEEL	122.23	120.86	128	75	-	60	70	14
56-8M-50	56	10WF	STEEL	142.60	141.23	150	90	116	60	60	18
64-8M-50	64	10WF	STEEL	162.97	161.60	168	100	137	60	60	18
72-8M-50	72	10WF	STEEL	183.35	181.97	192	100	158	60	60	18
80-8M-50	80	10W	CAST IRON	203.72	202.35	-	110	180	60	60	18
90-8M-50	90	10W	CAST IRON	229.18	227.81	-	110	204	60	60	18
112-8M-50	112	10A	CAST IRON	285.21	283.83	-	110	254	60	60	18
144-8M-50	144	10A	CAST IRON	366.69	365.32	-	110	336	60	60	20
168-8M-50	168	10A	CAST IRON	427.81	426.44	-	120	400	60	60	20
192-8M-50	192	10A	CAST IRON	488.92	487.55	-	130	460	60	60	20



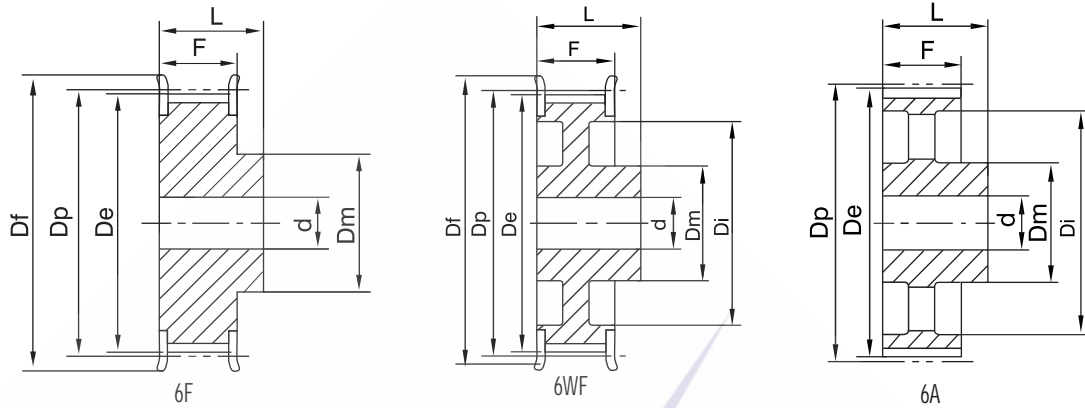
直孔 HTD 8M-85



型号	齿数	结构	材料	DP	De	Df	Dm	Di	F	L	d
22-8M-85	22	6F	STEEL	56.02	54.65	60	43	-	95	105	12
24-8M-85	24	6F	STEEL	61.12	59.75	67	45	-	95	105	12
26-8M-85	26	6F	STEEL	66.21	64.84	70	48	-	95	105	12
28-8M-85	28	6F	STEEL	71.30	70.08	75	50	-	95	105	14
30-8M-85	30	6F	STEEL	76.39	75.13	83	55	-	95	105	14
32-8M-85	32	6F	STEEL	81.49	80.16	87	60	-	95	105	14
34-8M-85	34	6F	STEEL	86.58	85.22	91	66	-	95	105	14
36-8M-85	36	6F	STEEL	91.67	90.30	97	70	-	95	105	14
38-8M-85	38	6F	STEEL	96.77	95.39	102	75	-	95	105	14
40-8M-85	40	6F	STEEL	101.86	100.49	112	75	-	95	105	14
44-8M-85	44	6F	STEEL	112.05	110.67	120	75	-	95	105	14
48-8M-85	48	6F	STEEL	122.23	120.86	128	75	-	95	105	14
56-8M-85	56	10WF	STEEL	142.60	141.23	150	80	116	95	105	18
64-8M-85	64	10WF	STEEL	162.97	161.60	168	100	137	95	95	18
72-8M-85	72	10WF	STEEL	183.35	181.97	192	110	158	95	95	18
80-8M-85	80	10A	CAST IRON	203.72	202.35	-	110	180	95	95	20
90-8M-85	90	10A	CAST IRON	229.18	227.81	-	110	204	95	95	20
112-8M-85	112	10A	CAST IRON	285.21	283.83	-	110	254	95	95	24
144-8M-85	144	10A	CAST IRON	366.69	365.32	-	120	336	95	95	24
168-8M-85	168	10A	CAST IRON	427.81	426.44	-	120	400	95	95	24
192-8M-85	192	10A	CAST IRON	488.92	487.55	-	130	460	95	95	24



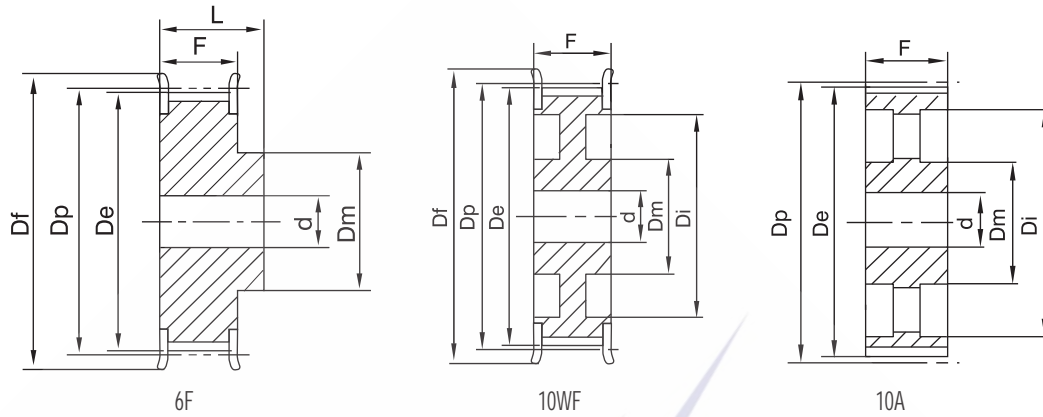
直孔 HTD 14M-40



型号	齿数	结构	材料	DP	De	Df	Dm	Di	F	L	d
28-14M-40	28	6F	STEEL	124.78	122.12	135	100	-	54	69	24
29-14M-40	29	6F	STEEL	129.23	126.57	150	100	-	54	69	24
30-14M-40	30	6F	STEEL	133.69	130.99	150	100	-	54	69	24
32-14M-40	32	6F	STEEL	142.60	139.88	168	100	-	54	69	24
34-14M-40	34	6F	STEEL	151.52	148.79	168	100	-	54	69	24
36-14M-40	36	6F	STEEL	160.43	157.68	175	100	-	54	69	24
38-14M-40	38	6F	STEEL	169.34	166.60	192	120	-	54	69	24
40-14M-40	40	6F	STEEL	178.25	175.49	200	120	-	54	69	24
44-14M-40	44	6F	STEEL	196.08	193.28	211	120	-	54	69	24
48-14M-40	48	6WF	CAST IRON	213.90	211.11	226	135	170	54	69	24
56-14M-40	56	6WF	CAST IRON	249.55	246.76	265	135	207	54	69	28
64-14M-40	64	6WF	CAST IRON	285.21	282.41	296	135	240	54	69	28
72-14M-40	72	6A	CAST IRON	320.86	318.06	-	135	278	54	69	28
80-14M-40	80	6A	CAST IRON	356.51	353.71	-	135	314	54	69	28
90-14M-40	90	6A	CAST IRON	401.07	398.28	-	135	358	54	69	28
112-14M-40	112	6A	CAST IRON	499.11	496.32	-	135	456	54	69	28
144-14M-40	144	6A	CAST IRON	641.71	638.92	-	135	600	54	69	28
168-14M-40	168	6A	CAST IRON	748.66	745.87	-	135	706	54	69	28
192-14M-40	192	6A	CAST IRON	855.62	852.82	-	135	813	54	69	28
216-14M-40	216	6A	CAST IRON	962.57	959.76	-	150	920	54	69	28



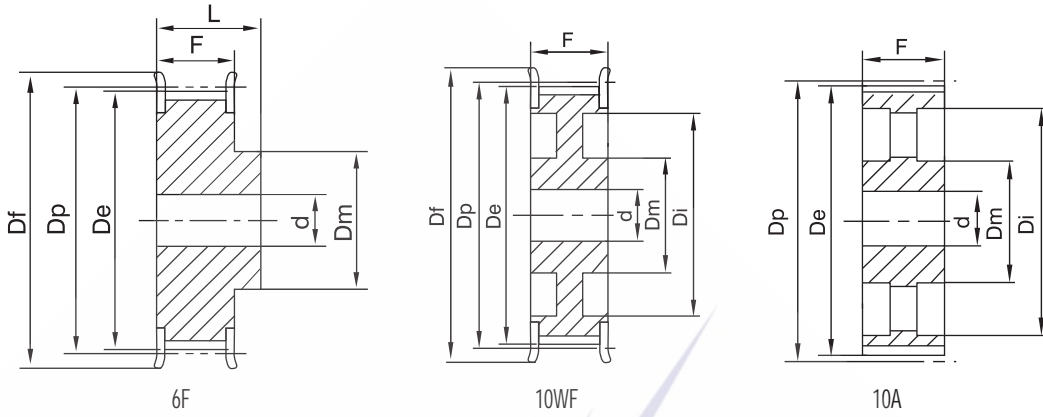
直孔 HTD 14M-55



型号	齿数	结构	材料	DP	De	Df	Dm	Di	F	L	d
28-14M-55	28	6F	STEEL	124.78	122.12	135	100	-	70	85	24
29-14M-55	29	6F	STEEL	129.23	126.57	150	100	-	70	85	24
30-14M-55	30	6F	STEEL	133.69	130.99	150	100	-	70	85	24
32-14M-55	32	6F	STEEL	142.60	139.88	168	100	-	70	85	24
34-14M-55	34	6F	STEEL	151.52	148.79	168	100	-	70	85	24
36-14M-55	36	6F	STEEL	160.43	157.68	175	100	-	70	85	24
38-14M-55	38	6F	STEEL	169.34	166.60	192	120	-	70	85	24
40-14M-55	40	6F	STEEL	178.25	175.49	200	120	-	70	85	24
44-14M-55	44	6F	STEEL	196.08	193.28	211	120	-	70	85	24
48-14M-55	48	10WF	CAST IRON	213.90	211.11	226	135	170	70	70	24
56-14M-55	56	10WF	CAST IRON	249.55	246.76	265	135	207	70	70	28
64-14M-55	64	10WF	CAST IRON	285.21	282.41	296	135	240	70	70	28
72-14M-55	72	10A	CAST IRON	320.86	318.06	-	135	278	70	70	28
80-14M-55	80	10A	CAST IRON	356.51	353.71	-	135	314	70	70	28
90-14M-55	90	10A	CAST IRON	401.07	398.28	-	135	358	70	70	28
112-14M-55	112	10A	CAST IRON	499.11	496.32	-	135	456	70	70	28
144-14M-55	144	10A	CAST IRON	641.71	638.92	-	135	600	70	70	28
168-14M-55	168	10A	CAST IRON	748.66	745.87	-	135	706	70	70	28
192-14M-55	192	10A	CAST IRON	855.62	852.82	-	135	813	70	70	28
216-14M-55	216	10A	CAST IRON	962.57	959.76	-	150	920	70	70	28



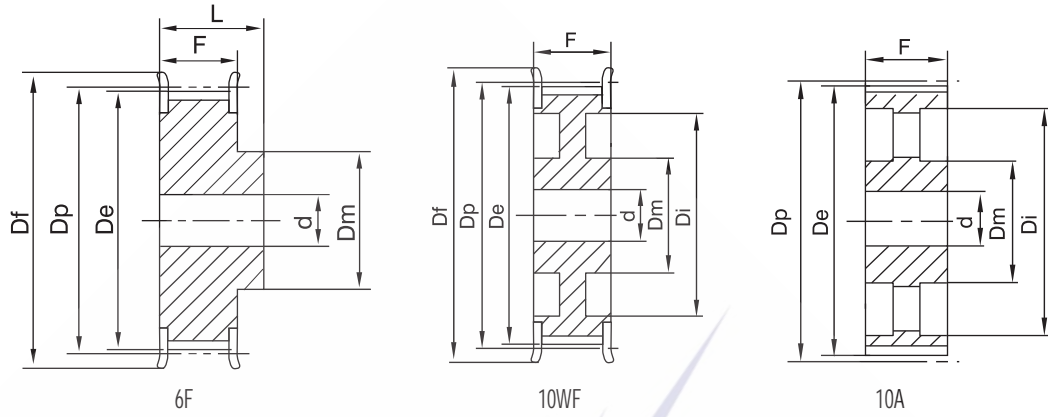
直孔 HTD 14M-85



型号	齿数	结构	材料	DP	De	Df	Dm	Di	F	L	d
28-14M-85	28	6F	STEEL	124.78	122.12	135	100	-	102	117	24
29-14M-85	29	6F	STEEL	129.23	126.57	150	100	-	102	117	24
30-14M-85	30	6F	STEEL	133.69	130.99	150	100	-	102	117	24
32-14M-85	32	6F	STEEL	142.60	139.88	168	100	-	102	117	24
34-14M-85	34	6F	STEEL	151.52	148.79	168	100	-	102	117	24
36-14M-85	36	6F	STEEL	160.43	157.68	175	100	-	102	117	32
38-14M-85	38	6F	STEEL	169.34	166.60	192	120	-	102	117	32
40-14M-85	40	6F	STEEL	178.25	175.49	200	135	-	102	117	32
44-14M-85	44	6F	STEEL	196.08	193.28	211	135	-	102	117	32
48-14M-85	48	6F	STEEL	213.90	211.11	226	150	-	102	117	32
56-14M-85	56	10WF	CAST IRON	249.55	246.76	265	150	207	102	102	32
64-14M-85	64	10WF	CAST IRON	285.21	282.41	296	150	240	102	102	32
72-14M-85	72	10A	CAST IRON	320.86	318.06	-	150	278	102	102	32
80-14M-85	80	10A	CAST IRON	356.51	353.71	-	150	314	102	102	32
90-14M-85	90	10A	CAST IRON	401.07	398.28	-	150	358	102	102	32
112-14M-85	112	10A	CAST IRON	499.11	496.32	-	150	456	102	102	32
144-14M-85	144	10A	CAST IRON	641.71	638.92	-	150	600	102	102	32
168-14M-85	168	10A	CAST IRON	748.66	745.87	-	150	706	102	102	32
192-14M-85	192	10A	CAST IRON	855.62	852.82	-	165	813	102	102	32
216-14M-85	216	10A	CAST IRON	962.57	959.76	-	165	920	102	102	32



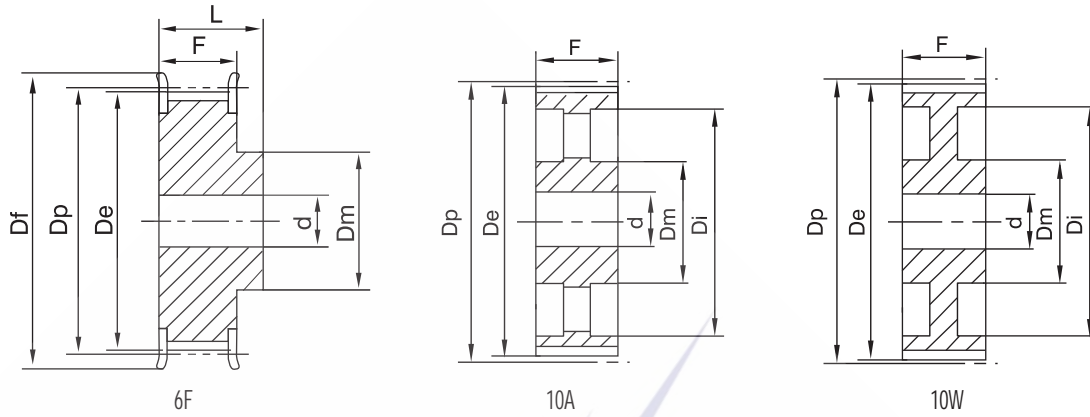
直孔 HTD 14M-115



型号	齿数	结构	材料	DP	De	Df	Dm	Di	F	L	d
28-14M-115	28	6F	STEEL	124.78	122.12	135	100	-	133	148	32
29-14M-115	29	6F	STEEL	129.23	126.57	150	100	-	133	148	32
30-14M-115	30	6F	STEEL	133.69	130.99	150	100	-	133	148	32
32-14M-115	32	6F	STEEL	142.60	139.88	168	100	-	133	148	32
34-14M-115	34	6F	STEEL	151.52	148.79	168	100	-	133	148	32
36-14M-115	36	6F	STEEL	160.43	157.68	175	120	-	133	148	32
38-14M-115	38	6F	STEEL	169.34	166.60	192	120	-	133	148	32
40-14M-115	40	6F	STEEL	178.25	175.49	200	135	-	133	148	32
44-14M-115	44	6F	STEEL	196.08	193.28	211	140	-	133	148	32
48-14M-115	48	6F	STEEL	213.90	211.11	226	150	-	133	148	32
56-14M-115	56	6F	STEEL	249.55	246.76	265	150	-	133	148	32
64-14M-115	64	10WF	CAST IRON	285.21	282.41	296	150	240	133	133	32
72-14M-115	72	10A	CAST IRON	320.86	318.06	-	150	278	133	133	32
80-14M-115	80	10A	CAST IRON	356.51	353.71	-	150	314	133	133	32
90-14M-115	90	10A	CAST IRON	401.07	398.28	-	150	358	133	133	32
112-14M-115	112	10A	CAST IRON	499.11	496.32	-	150	456	133	133	32
144-14M-115	144	10A	CAST IRON	641.71	638.92	-	165	600	133	133	32
168-14M-115	168	10A	CAST IRON	748.66	745.87	-	165	706	133	133	32
192-14M-115	192	10A	CAST IRON	855.62	852.82	-	165	813	133	133	32
216-14M-115	216	10A	CAST IRON	962.57	959.76	-	165	920	133	133	32



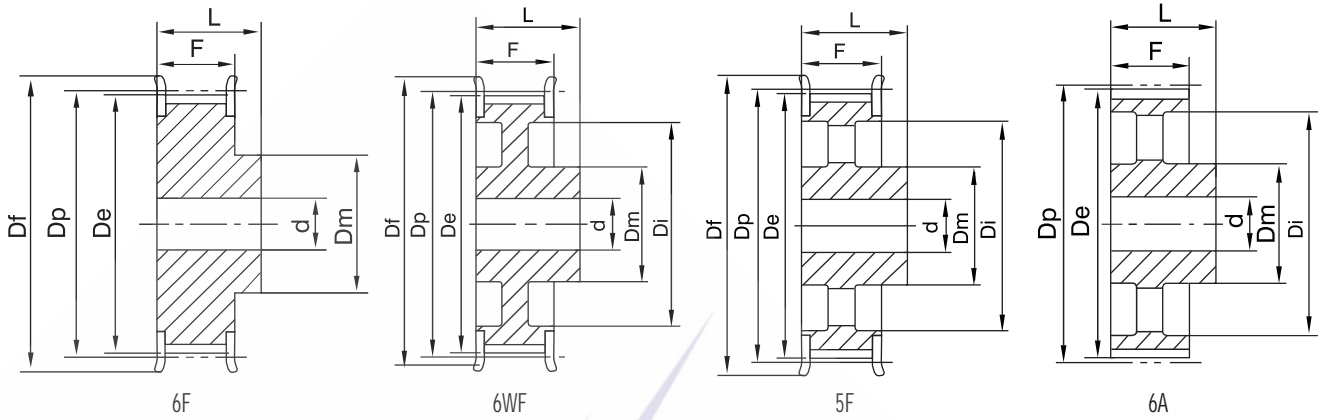
直孔 HTD 14M-170



型号	齿数	结构	材料	DP	De	Df	Dm	Di	F	L	d
28-14M-170	28	6F	STEEL	124.78	122.12	135	100	-	187	202	32
29-14M-170	29	6F	STEEL	129.23	126.57	150	100	-	187	202	32
30-14M-170	30	6F	STEEL	133.69	130.99	150	100	-	187	202	32
32-14M-170	32	6F	STEEL	142.60	139.88	168	100	-	187	202	32
34-14M-170	34	6F	STEEL	151.52	148.79	168	100	-	187	202	32
36-14M-170	36	6F	STEEL	160.43	157.68	175	120	-	187	202	32
38-14M-170	38	6F	STEEL	169.34	166.60	192	135	-	187	202	32
40-14M-170	40	6F	STEEL	178.25	175.49	200	140	-	187	202	32
44-14M-170	44	6F	STEEL	196.08	193.28	211	160	-	187	202	32
48-14M-170	48	6F	CAST IRON	213.90	211.11	226	160	-	187	202	32
56-14M-170	56	6F	CAST IRON	249.55	246.76	265	160	-	187	202	32
64-14M-170	64	6F	CAST IRON	285.21	282.41	296	180	-	187	202	32
72-14M-170	72	10W	CAST IRON	320.86	318.06	-	180	278	187	187	32
80-14M-170	80	10W	CAST IRON	356.51	353.71	-	180	314	187	187	32
90-14M-170	90	10A	CAST IRON	401.07	398.28	-	180	358	187	187	38
112-14M-170	112	10A	CAST IRON	499.11	496.32	-	200	456	187	187	38
144-14M-170	144	10A	CAST IRON	641.71	638.92	-	220	600	187	187	38
168-14M-170	168	10A	CAST IRON	748.66	745.87	-	220	706	187	187	38
192-14M-170	192	10A	CAST IRON	855.62	852.82	-	220	813	187	187	38
216-14M-170	216	10A	CAST IRON	962.57	959.76	-	220	920	187	187	38



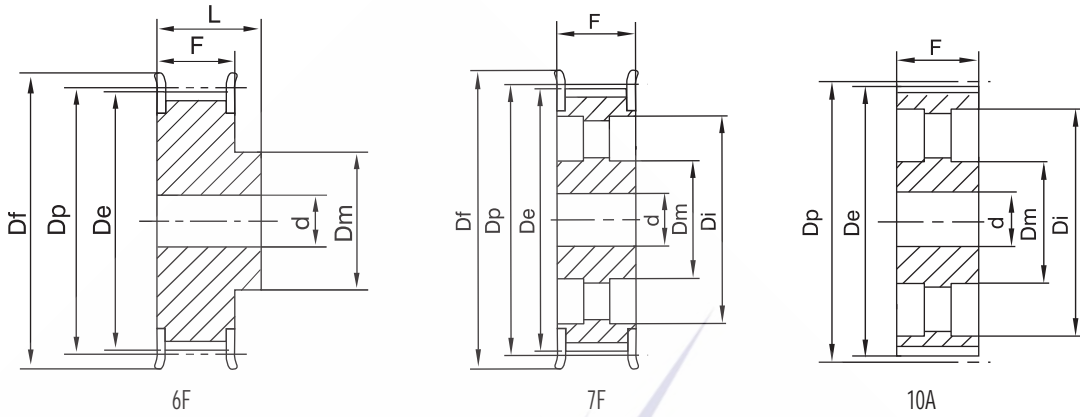
直孔 HTD 20M-115



型号	齿数	结构	材料	DP	De	Df	Dm	Di	F	L	d
34-20M-115	34	6F	CAST IRON	216.45	212.13	240	165	-	136.5	168.5	32
36-20M-115	36	6F	CAST IRON	229.18	224.87	250	178	-	136.5	168.5	32
38-20M-115	38	6F	CAST IRON	241.92	237.60	265	181	-	136.5	168.5	32
40-20M-115	40	6F	CAST IRON	254.56	250.33	275	203	-	136.5	168.5	32
44-20M-115	44	6F	CAST IRON	280.11	275.79	300	210	-	136.5	168.5	32
48-20M-115	48	6F	CAST IRON	305.88	301.26	325	228	-	136.5	168.5	32
52-20M-115	52	6F	CAST IRON	331.04	326.72	350	228	-	136.5	168.5	32
56-20M-115	56	6F	CAST IRON	356.51	352.19	375	228	-	136.5	168.5	32
60-20M-115	60	6WF	CAST IRON	381.97	377.65	405	228	318	136.5	168.5	38
64-20M-115	64	6WF	CAST IRON	407.44	403.12	430	228	343	136.5	168.5	38
68-20M-115	68	6WF	CAST IRON	432.90	428.58	455	228	366	136.5	168.5	38
72-20M-115	72	5F	CAST IRON	458.37	454.05	480	228	435	136.5	168.5	38
80-20M-115	80	5F	CAST IRON	509.30	504.98	530	280	445	136.5	168.5	38
90-20M-115	90	5F	CAST IRON	572.96	568.64	595	280	508	136.5	168.5	38
112-20M-115	112	6A	CAST IRON	713.01	708.70	-	280	648	136.5	168.5	38
144-20M-115	144	6A	CAST IRON	916.73	912.41	-	300	852	136.5	168.5	44
168-20M-115	168	6A	CAST IRON	1069.52	1065.21	-	300	1005	136.5	168.5	44
192-20M-115	192	6A	CAST IRON	1222.31	1218.00	-	300	1158	136.5	168.5	48
216-20M-115	216	6A	CAST IRON	1375.10	1370.78	-	300	1300	136.5	168.5	48



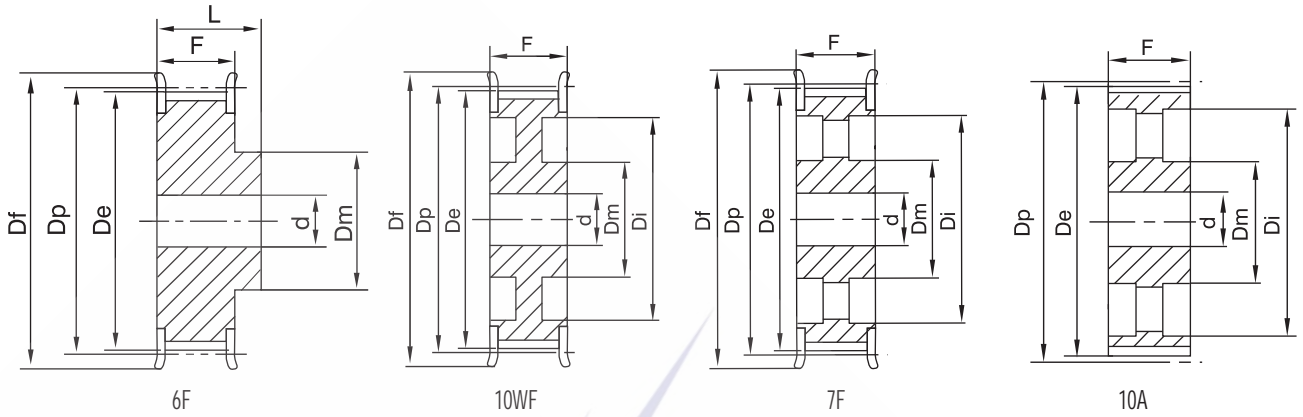
直孔 HTD 20M-170



型号	齿数	结构	材料	DP	De	Df	Dm	Di	F	L	d
34-20M-170	34	6F	CAST IRON	216.45	212.13	240	165	-	190.5	222.5	32
36-20M-170	36	6F	CAST IRON	229.18	224.87	250	178	-	190.5	222.5	32
38-20M-170	38	6F	CAST IRON	241.92	237.60	265	181	-	190.5	222.5	32
40-20M-170	40	6F	CAST IRON	254.65	250.33	275	203	-	190.5	222.5	32
44-20M-170	44	6F	CAST IRON	280.11	275.79	300	210	-	190.5	222.5	32
48-20M-170	48	6F	CAST IRON	305.58	301.26	325	240	-	190.5	222.5	32
52-20M-170	52	6F	CAST IRON	331.04	326.72	350	280	-	190.5	222.5	32
56-20M-170	56	6F	CAST IRON	356.51	352.19	375	280	-	190.5	222.5	32
60-20M-170	60	6F	CAST IRON	381.97	377.65	405	280	-	190.5	222.5	38
64-20M-170	64	6F	CAST IRON	407.44	403.12	430	280	-	190.5	222.5	38
68-20M-170	68	6F	CAST IRON	432.90	428.58	455	280	-	190.5	222.5	38
72-20M-170	72	7F	CAST IRON	458.37	454.05	480	280	394	190.5	190.5	38
80-20M-170	80	7F	CAST IRON	509.30	504.98	530	280	445	190.5	190.5	38
90-20M-170	90	7F	CAST IRON	572.96	568.64	595	280	508	190.5	190.5	38
112-20M-170	112	10A	CAST IRON	713.01	708.70	-	300	648	190.5	190.5	38
144-20M-170	144	10A	CAST IRON	916.73	912.41	-	300	852	190.5	190.5	44
168-20M-170	168	10A	CAST IRON	1069.52	1065.21	-	350	1005	190.5	190.5	44
192-20M-170	192	10A	CAST IRON	1222.31	1218.00	-	350	1158	190.5	190.5	48
216-20M-170	216	10A	CAST IRON	1375.10	1371.78	-	350	1300	190.5	190.5	48



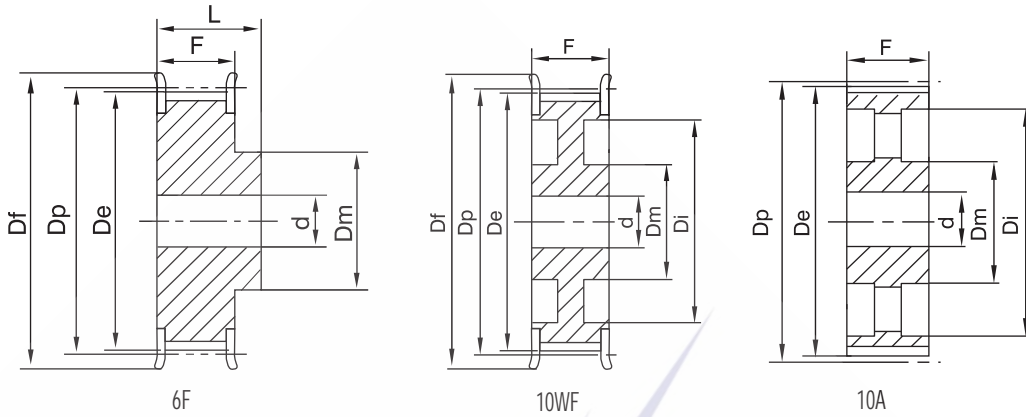
直孔 HTD 20M-230



型号	齿数	结构	材料	DP	De	Df	Dm	Di	F	L	d
38-20M-230	38	6F	CAST IRON	241.92	237.60	265	181	-	250.8	282.8	38
40-20M-230	40	6F	CAST IRON	254.65	250.33	275	203	-	250.8	282.8	38
44-20M-230	44	6F	CAST IRON	280.11	275.79	300	210	-	250.8	282.8	38
48-20M-230	48	6F	CAST IRON	305.58	301.26	325	228	-	250.8	282.8	38
52-20M-230	52	6F	CAST IRON	331.04	326.72	350	280	-	250.8	282.8	38
56-20M-230	56	6F	CAST IRON	356.51	352.19	375	280	-	250.8	282.8	38
60-20M-230	60	6F	CAST IRON	381.97	377.65	405	280	-	250.8	282.8	38
64-20M-230	64	6F	CAST IRON	407.44	403.12	430	300	-	250.8	282.8	38
68-20M-230	68	6F	CAST IRON	432.90	428.58	455	300	-	250.8	282.8	38
72-20M-230	72	6F	CAST IRON	458.37	454.05	480	300	-	250.8	282.8	38
80-20M-230	80	10WF	CAST IRON	509.30	504.98	530	300	445	250.8	282.8	38
90-20M-230	90	7F	CAST IRON	572.96	568.64	595	300	508	250.8	282.8	38
112-20M-230	112	10A	CAST IRON	713.01	708.70	-	300	648	250.8	282.8	38
144-20M-230	144	10A	CAST IRON	916.73	912.41	-	350	852	250.8	282.8	44
168-20M-230	168	10A	CAST IRON	1069.52	1065.21	-	350	1005	250.8	282.8	44
192-20M-230	192	10A	CAST IRON	1222.31	1218.00	-	400	1158	250.8	282.8	48
216-20M-230	216	10A	CAST IRON	1375.10	1370.78	-	400	1300	250.8	282.8	48



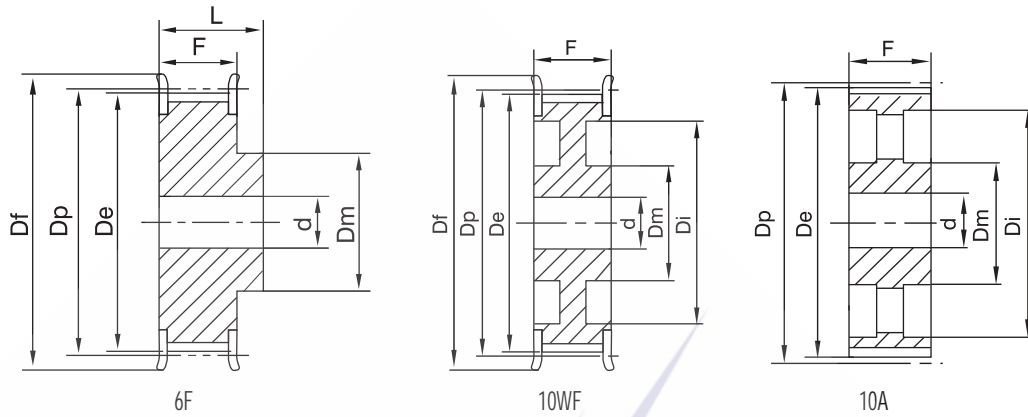
直孔 HTD 20M-290



型号	齿数	结构	材料	DP	De	Df	Dm	Di	F	L	d
52-20M-290	52	6F	CAST IRON	331.04	326.72	350	280	-	311.2	343	38
56-20M-290	56	6F	CAST IRON	356.51	352.19	375	280	-	311.2	343	38
60-20M-290	60	6F	CAST IRON	381.97	377.65	405	300	-	311.2	343	38
64-20M-290	64	6F	CAST IRON	407.44	403.12	430	300	-	311.2	343	38
68-20M-290	68	6F	CAST IRON	432.90	428.58	455	300	-	311.2	343	38
72-20M-290	72	6F	CAST IRON	458.37	454.05	480	300	-	311.2	343	44
80-20M-290	80	6F	CAST IRON	509.30	504.98	530	300	-	311.2	343	44
90-20M-290	90	10WF	CAST IRON	572.96	568.64	595	300	508	311.2	311.2	44
112-20M-290	112	10A	CAST IRON	713.01	708.70	-	350	648	311.2	311.2	48
144-20M-290	144	10A	CAST IRON	916.73	912.41	-	350	852	311.2	311.2	48
168-20M-290	168	10A	CAST IRON	1069.52	1065.21	-	400	1005	311.2	311.2	48
192-20M-290	192	10A	CAST IRON	1222.31	1218.00	-	400	1158	311.2	311.2	48
216-20M-290	216	10A	CAST IRON	1375.10	1370.78	-	400	1300	311.2	311.2	48



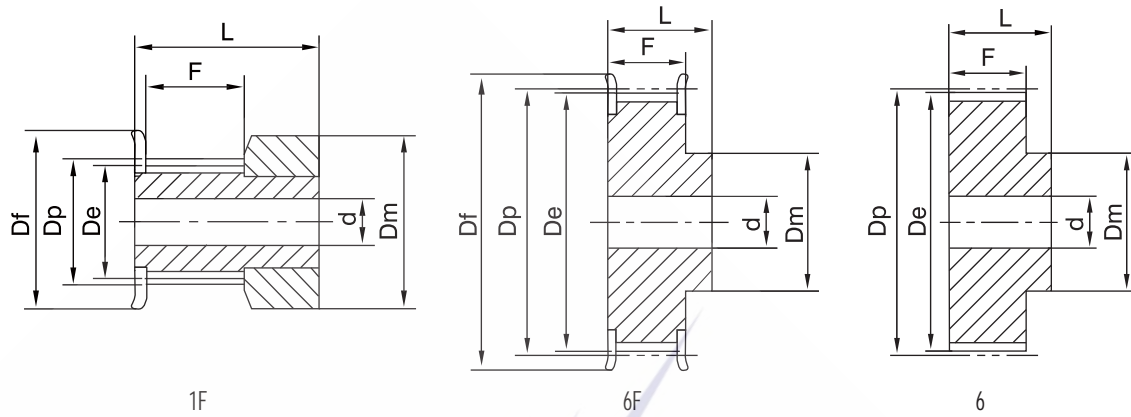
直孔 HTD 20M-340



型号	齿数	结构	材料	DP	De	Df	Dm	Di	F	L	d
52-20M-340	52	6F	CAST IRON	331.04	326.72	350	280	-	362	394	38
56-20M-340	56	6F	CAST IRON	356.51	352.19	375	280	-	362	394	38
60-20M-340	60	6F	CAST IRON	381.97	377.65	405	300	-	362	394	38
64-20M-340	64	6F	CAST IRON	407.44	403.12	430	300	-	362	394	44
68-20M-340	68	6F	CAST IRON	432.90	428.58	455	300	-	362	394	44
72-20M-340	72	6F	CAST IRON	458.37	454.05	480	300	-	362	394	44
80-20M-340	80	6F	CAST IRON	509.30	504.98	530	300	-	362	394	44
90-20M-340	90	10WF	CAST IRON	572.96	568.64	595	350	508	362	394	48
112-20M-340	112	10A	CAST IRON	713.01	708.70	-	350	648	362	362	48
144-20M-340	144	10A	CAST IRON	916.73	912.41	-	400	852	362	362	48
168-20M-340	168	10A	CAST IRON	1069.52	1065.21	-	400	1005	362	362	48
192-20M-340	192	10A	CAST IRON	1222.31	1218.00	-	430	1158	362	362	48
216-20M-340	216	10A	CAST IRON	1375.10	1370.78	-	430	1300	362	362	48



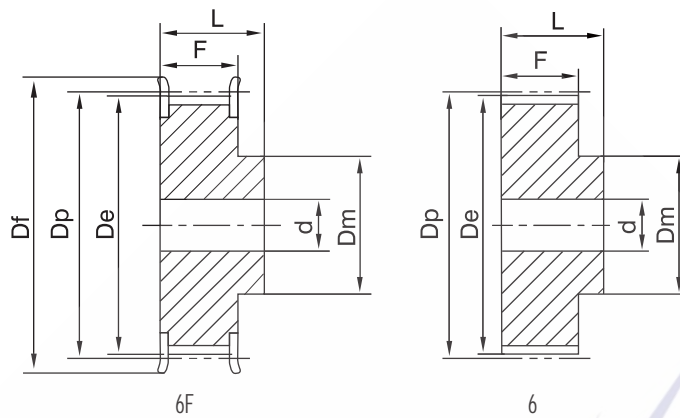
T2.5-16(节距2.5,带宽6mm)



型号	齿数	结构	材料	DP	De	DF	Dm	F	L	d
12-T2.5-16	12	1F	AL	9.60	9.00	13	12	9	16	-
14-T2.5-16	14	1F	AL	11.20	10.60	15	14	9	16	-
15-T2.5-16	15	1F	AL	12.00	11.40	15	15	9	16	-
16-T2.5-16	16	1F	AL	12.80	12.20	16	16	9	16	-
18-T2.5-16	18	6F	AL	14.40	13.80	17.5	10	10	16	-
19-T2.5-16	19	6F	AL	15.20	14.60	18	10	10	16	-
20-T2.5-16	20	6F	AL	16.00	15.40	19.5	11	10	16	-
22-T2.5-16	22	6F	AL	16.60	17.00	23	11	10	16	-
24-T2.5-16	24	6F	AL	19.15	18.55	23	12	10	16	-
25-T2.5-16	25	6F	AL	19.95	19.35	23	13	10	16	-
26-T2.5-16	26	6F	AL	20.75	20.15	25	14	10	16	4
28-T2.5-16	28	6F	AL	22.35	21.75	25	14	10	16	4
30-T2.5-16	30	6F	AL	23.95	23.35	28	16	10	16	6
32-T2.5-16	32	6F	AL	25.95	24.95	32	16	10	16	6
36-T2.5-16	36	6F	AL	28.75	28.10	37	20	10	16	6
40-T2.5-16	40	6F	AL	31.90	31.30	38	22	10	16	6
44-T2.5-16	44	6	AL	35.10	34.50	-	24	10	16	6
48-T2.5-16	48	6	AL	38.30	37.70	-	26	10	16	6
60-T2.5-16	60	6	AL	47.85	47.25	-	34	10	16	8



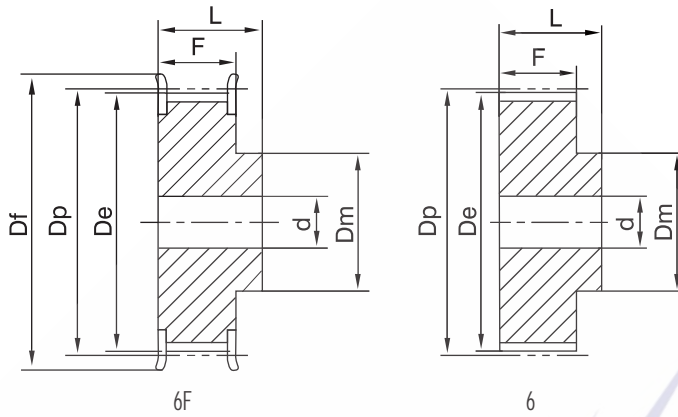
T5-21(节距5,带宽10mm)



型号	齿数	结构	材料	DP	De	Df	Dm	F	L	d
10-T5-21	10	6F	AL	16.05	15.05	19.5	8	15	21	6
12-T5-21	12	6F	AL	19.25	18.25	23	11	15	21	6
14-T5-21	14	6F	AL	22.45	21.45	25	13	15	21	6
15-T5-21	15	6F	AL	24.05	23.05	28	16	15	21	6
16-T5-21	16	6F	AL	25.06	24.60	32	18	15	21	6
18-T5-21	18	6F	AL	28.80	27.80	32	10	15	21	6
19-T5-21	19	6F	AL	30.40	29.40	36	20	15	21	6
20-T5-21	20	6F	AL	32.00	31.00	36	22	15	21	6
22-T5-21	22	6F	AL	32.15	34.15	38	23	15	21	6
24-T5-21	24	6F	AL	38.40	37.40	42	24	15	21	6
25-T5-21	25	6F	AL	39.95	38.95	44	26	15	21	6
26-T5-21	26	6F	AL	41.60	40.60	44	26	15	21	6
27-T5-21	27	6F	AL	43.20	42.20	48	30	15	21	8
28-T5-21	28	6F	AL	44.75	43.75	48	32	15	21	8
30-T5-21	30	6F	AL	47.95	46.95	51	34	15	21	8
32-T5-21	32	6F	AL	51.10	50.10	54	38	15	21	8
36-T5-21	36	6F	AL	57.45	56.45	64	38	15	21	8
40-T5-21	40	6F	AL	63.85	62.85	66.5	40	15	21	8
42-T5-21	42	6F	AL	67.00	66.00	70	40	15	21	8
44-T5-21	44	6	AL	70.20	69.20	-	45	15	21	8
48-T5-21	48	6	AL	76.55	75.55	-	50	15	21	8
60-T5-21	60	6	AL	95.65	94.65	-	65	15	21	8



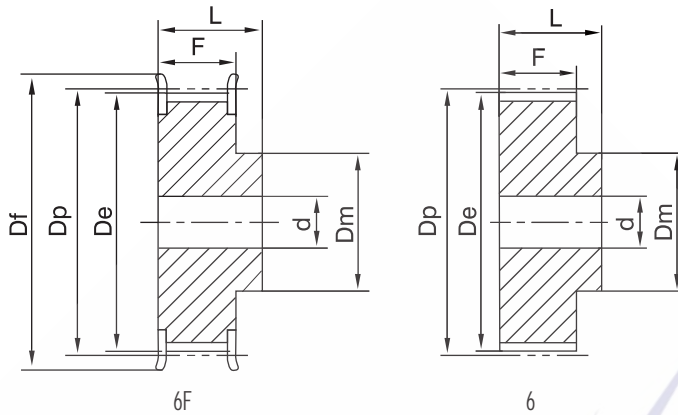
T5-27(节距5,带宽16mm)



型号	齿数	结构	材料	DP	De	Df	Dm	F	L	d
10-T5-27	10	6F	AL	16.05	15.05	19.5	8	21	27	6
12-T5-27	12	6F	AL	19.25	18.25	23	11	21	27	6
14-T5-27	14	6F	AL	22.45	21.45	25	13	21	27	6
15-T5-27	15	6F	AL	24.05	23.05	28	16	21	27	6
16-T5-27	16	6F	AL	25.06	24.60	32	18	21	27	6
18-T5-27	18	6F	AL	28.80	27.80	32	10	21	27	6
19-T5-27	19	6F	AL	30.40	29.40	36	20	21	27	6
20-T5-27	20	6F	AL	32.00	31.00	36	22	21	27	6
22-T5-27	22	6F	AL	32.15	34.15	38	23	21	27	6
24-T5-27	24	6F	AL	38.40	37.40	42	24	21	27	6
25-T5-27	25	6F	AL	39.95	38.95	44	26	21	27	6
26-T5-27	26	6F	AL	41.60	40.60	44	26	21	27	6
27-T5-27	27	6F	AL	43.20	42.20	48	30	21	27	8
28-T5-27	28	6F	AL	44.75	43.75	48	32	21	27	8
30-T5-27	30	6F	AL	47.95	46.95	51	34	21	27	8
32-T5-27	32	6F	AL	51.10	50.10	54	38	21	27	8
36-T5-27	36	6F	AL	57.45	56.45	64	38	21	27	8
40-T5-27	40	6F	AL	63.85	62.85	66.5	40	21	27	8
42-T5-27	42	6F	AL	67.00	66.00	70	40	21	27	8
44-T5-27	44	6	AL	70.20	69.20	-	45	21	27	8
48-T5-27	48	6	AL	76.55	75.55	-	50	21	27	8
60-T5-27	60	6	AL	95.65	94.65	-	65	21	27	8



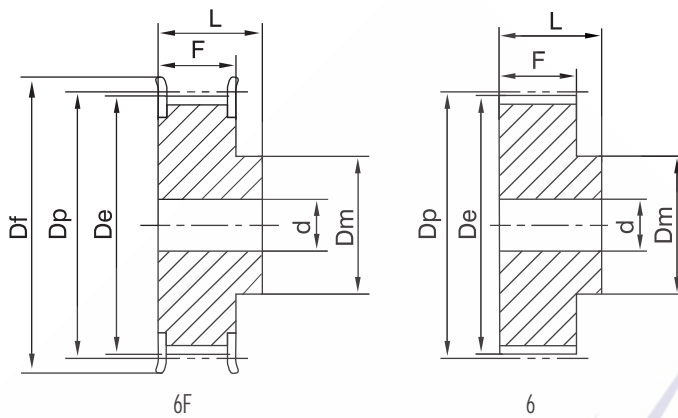
T5-36(节距5,带宽25mm)



型号	齿数	结构	材料	DP	De	Df	Dm	F	L	d
10-T5-36	10	6F	AL	16.05	15.05	19.5	8	30	36	6
12-T5-36	12	6F	AL	19.25	18.25	23	11	30	36	6
14-T5-36	14	6F	AL	22.45	21.45	25	13	30	36	6
15-T5-36	15	6F	AL	24.05	23.05	28	16	30	36	6
16-T5-36	16	6F	AL	25.06	24.60	32	18	30	36	6
18-T5-36	18	6F	AL	28.80	27.80	32	10	30	36	6
19-T5-36	19	6F	AL	30.40	29.40	36	20	30	36	6
20-T5-36	20	6F	AL	32.00	31.00	36	22	30	36	6
22-T5-36	22	6F	AL	32.15	34.15	38	23	30	36	6
24-T5-36	24	6F	AL	38.40	37.40	42	24	30	36	8
25-T5-36	25	6F	AL	39.95	38.95	44	26	30	36	8
26-T5-36	26	6F	AL	41.60	40.60	44	26	30	36	8
27-T5-36	27	6F	AL	43.20	42.20	48	30	30	36	8
28-T5-36	28	6F	AL	44.75	43.75	48	32	30	36	8
30-T5-36	30	6F	AL	47.95	46.95	51	34	30	36	8
32-T5-36	32	6F	AL	51.10	50.10	54	38	30	36	8
36-T5-36	36	6F	AL	57.45	56.45	64	38	30	36	8
40-T5-36	40	6F	AL	63.85	62.85	66.5	40	30	36	8
42-T5-36	42	6F	AL	67.00	66.00	70	40	30	36	8
44-T5-36	44	6	AL	70.20	69.20	-	45	30	36	8
48-T5-36	48	6	AL	76.55	75.55	-	50	30	36	8
60-T5-36	60	6	AL	95.65	94.65	-	65	30	36	8



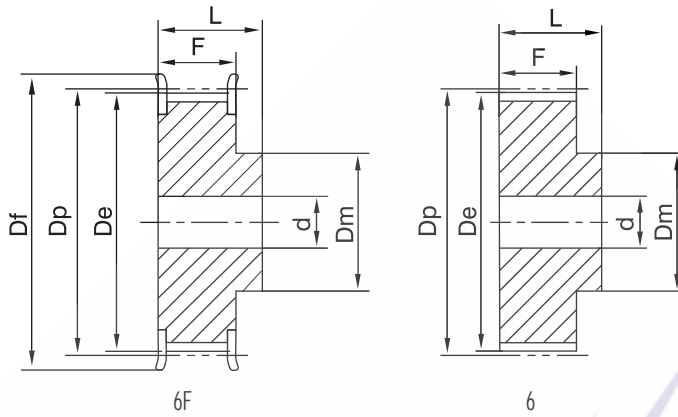
T10-31(节距10,带宽16mm)



型号	齿数	结构	材料	DP	De	Df	Dm	F	L	d
12-T10-31	12	6F	AL	38.35	36.35	42	28	21	31	6
14-T10-31	14	6F	AL	44.70	42.70	48	32	21	31	8
15-T10-31	15	6F	AL	47.90	45.90	51	32	21	31	8
16-T10-31	16	6F	AL	51.10	49.10	54	35	21	31	8
18-T10-31	18	6F	AL	57.45	55.45	60	40	21	31	8
19-T10-31	19	6F	AL	60.65	58.65	66	44	21	31	8
20-T10-31	20	6F	AL	63.80	61.80	66	46	21	31	8
22-T10-31	22	6F	AL	70.20	68.20	75	52	21	31	8
24-T10-31	24	6F	AL	76.55	74.55	83	58	21	31	8
25-T10-31	25	6F	AL	79.75	77.70	83	60	21	31	8
26-T10-31	26	6F	AL	82.90	80.90	87	60	21	31	8
27-T10-31	27	6F	AL	86.10	84.10	91	60	21	31	8
28-T10-31	28	6F	AL	89.25	87.25	93	60	21	31	8
30-T10-31	30	6F	AL	95.65	93.65	97	60	21	31	8
32-T10-31	32	6F	AL	102.00	100.00	106	65	21	31	10
36-T10-31	36	6F	AL	114.75	112.75	119	70	21	31	10
40-T10-31	40	6F	AL	127.45	125.45	131	80	21	31	10
44-T10-31	44	6	AL	140.20	138.20	-	88	21	31	10
48-T10-31	48	6	AL	152.95	150.95	-	95	21	31	16
60-T10-31	60	6	AL	191.15	189.10	-	110	21	31	16



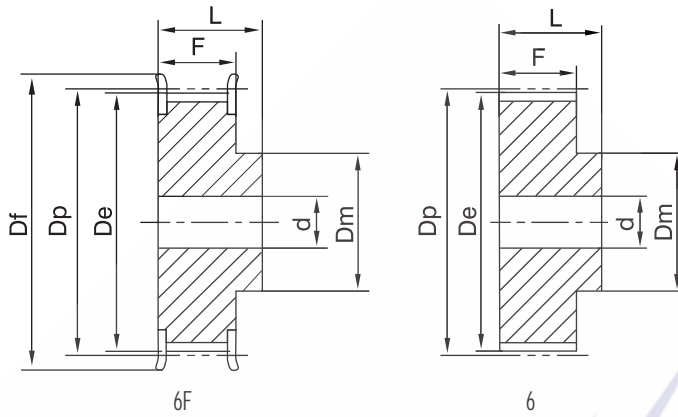
T10-40(节距10,带宽25mm)



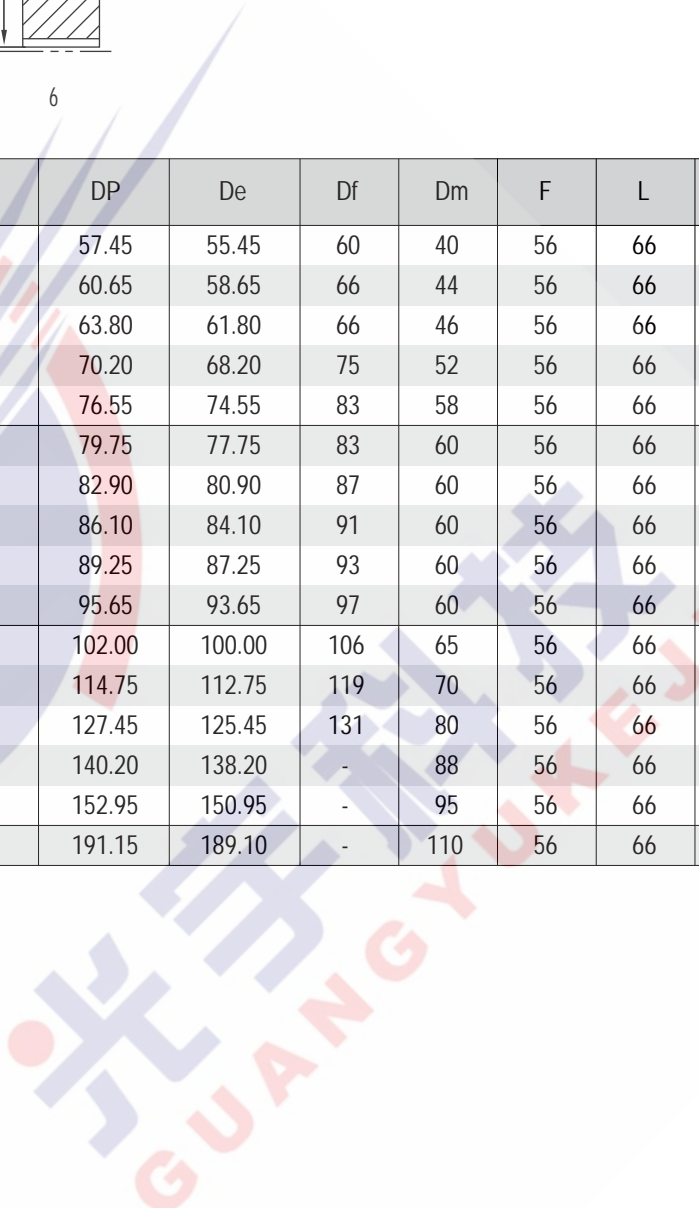
型号	齿数	结构	材料	DP	De	Df	Dm	F	L	d
12-10T-40	12	6F	AL	38.35	36.35	42	28	30	40	6
14-10T-40	14	6F	AL	44.70	42.70	48	32	30	40	8
15-10T-40	15	6F	AL	47.90	45.90	51	32	30	40	8
16-10T-40	16	6F	AL	51.10	49.10	54	35	30	40	8
18-10T-40	18	6F	AL	57.45	55.45	60	40	30	40	8
19-10T-40	19	6F	AL	60.65	58.65	66	44	30	40	8
20-10T-40	20	6F	AL	63.80	61.80	66	46	30	40	8
22-10T-40	22	6F	AL	70.20	68.20	75	52	30	40	8
24-10T-40	24	6F	AL	76.55	74.55	83	58	30	40	8
25-10T-40	25	6F	AL	79.75	77.75	83	60	30	40	8
26-10T-40	26	6F	AL	82.90	80.90	87	60	30	40	8
27-10T-40	27	6F	AL	86.10	84.10	91	60	30	40	8
28-10T-40	28	6F	AL	89.25	87.25	93	60	30	40	8
30-10T-40	30	6F	AL	95.65	93.65	97	60	30	40	8
32-10T-40	32	6F	AL	102.00	100.00	106	65	30	40	10
36-10T-40	36	6F	AL	114.75	112.75	119	70	30	40	10
40-10T-40	40	6F	AL	127.45	125.45	131	80	30	40	10
44-10T-40	44	6	AL	140.20	138.20	-	88	30	40	10
48-10T-40	48	6	AL	152.95	150.95	-	95	30	40	16
60-10T-40	60	6	AL	191.15	189.10	-	110	30	40	16



T10-66(节距10,带宽50mm)

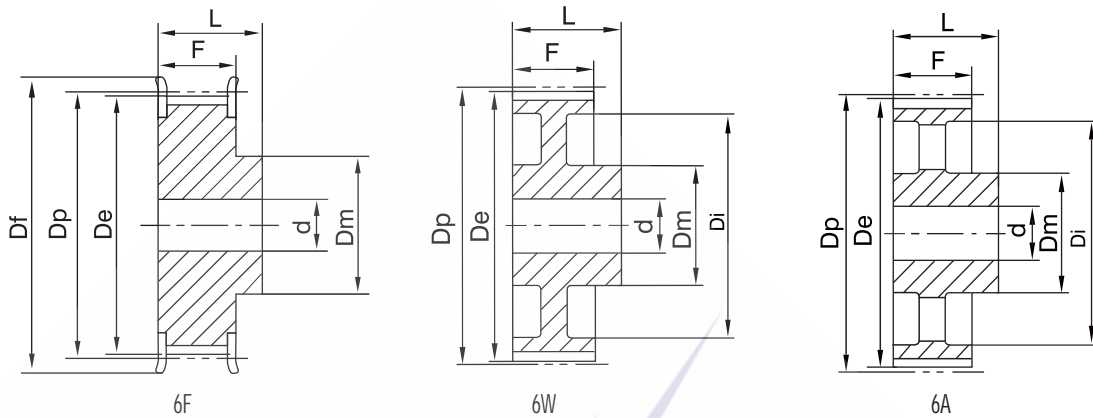


型号	齿数	结构	材料	DP	De	Df	Dm	F	L	d
18-T10-66	18	6F	AL	57.45	55.45	60	40	56	66	10
19-T10-66	19	6F	AL	60.65	58.65	66	44	56	66	10
20-T10-66	20	6F	AL	63.80	61.80	66	46	56	66	12
22-T10-66	22	6F	AL	70.20	68.20	75	52	56	66	12
24-T10-66	24	6F	AL	76.55	74.55	83	58	56	66	12
25-T10-66	25	6F	AL	79.75	77.75	83	60	56	66	12
26-T10-66	26	6F	AL	82.90	80.90	87	60	56	66	12
27-T10-66	27	6F	AL	86.10	84.10	91	60	56	66	12
28-T10-66	28	6F	AL	89.25	87.25	93	60	56	66	12
30-T10-66	30	6F	AL	95.65	93.65	97	60	56	66	12
32-T10-66	32	6F	AL	102.00	100.00	106	65	56	66	12
36-T10-66	36	6F	AL	114.75	112.75	119	70	56	66	16
40-T10-66	40	6F	AL	127.45	125.45	131	80	56	66	16
44-T10-66	44	6	AL	140.20	138.20	-	88	56	66	16
48-T10-66	48	6	AL	152.95	150.95	-	95	56	66	16
60-T10-66	60	6	AL	191.15	189.10	-	110	56	66	16

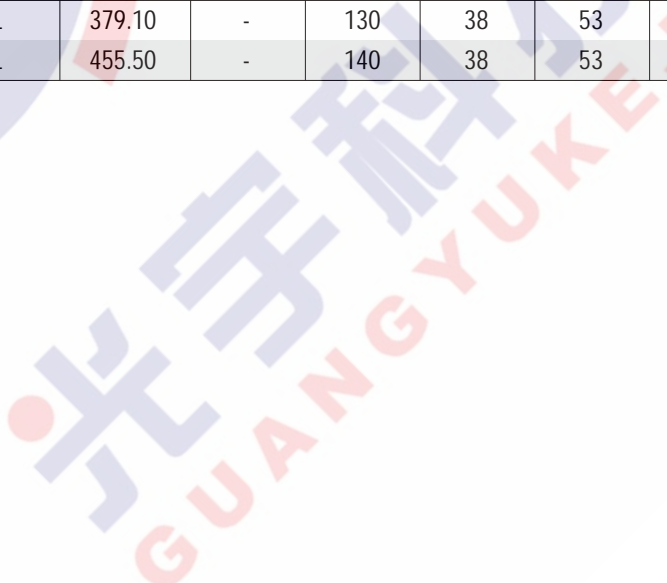




T20-53(节距20,带宽32mm)

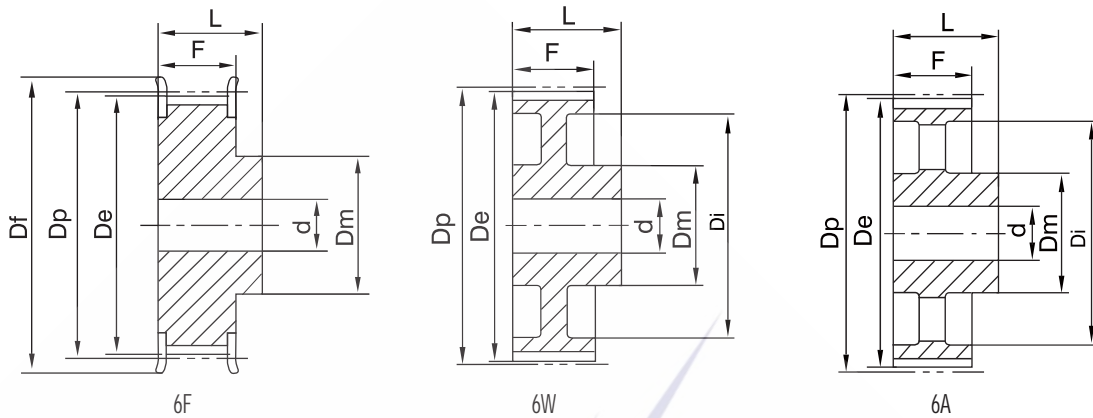


型号	齿数	结构	材料	De	Df	Dm	F	L	d
18-T20-53	18	6F	AL	111.75	120	80	38	53	16
20-T20-53	20	6F	AL	124.50	142	90	38	53	16
22-T20-53	22	6F	AL	137.20	150	90	38	53	16
24-T20-53	24	6F	AL	149.95	158	95	38	53	16
25-T20-53	25	6F	AL	156.30	168	95	38	53	16
30-T20-53	30	6F	AL	188.15	200	110	38	53	16
32-T20-53	32	6W	AL	200.85	216	110	38	53	18
36-T20-53	36	6W	AL	226.35	-	110	38	53	18
40-T20-53	40	6A	AL	251.80	-	110	38	53	20
48-T20-53	48	6A	AL	302.70	-	130	38	53	20
60-T20-53	60	6A	AL	379.10	-	130	38	53	20
72-T20-53	72	6A	AL	455.50	-	140	38	53	20

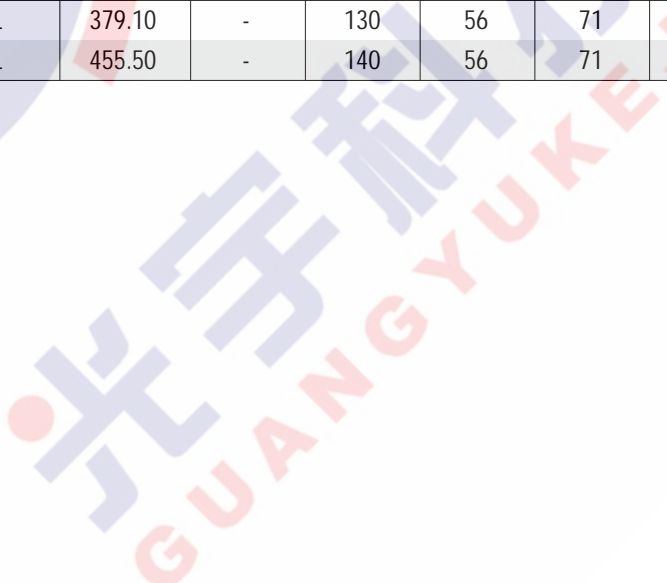




T20-71(节距20,带宽50mm)

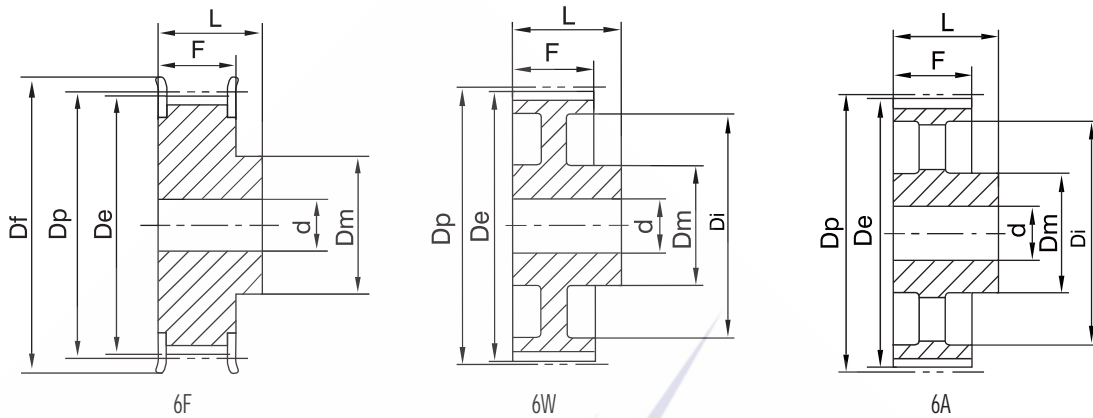


型号	齿数	结构	材料	De	Df	Dm	F	L	d
18-T20-71	18	6F	AL	111.75	120	80	56	71	18
20-T20-71	20	6F	AL	124.50	142	90	56	71	18
22-T20-71	22	6F	AL	137.20	150	90	56	71	18
24-T20-71	24	6F	AL	149.95	158	95	56	71	18
25-T20-71	25	6F	AL	156.30	168	95	56	71	18
30-T20-71	30	6F	AL	188.15	200	110	56	71	18
32-T20-71	32	6W	AL	200.85	216	110	56	71	20
36-T20-71	36	6W	AL	226.35	-	110	56	71	20
40-T20-71	40	6A	AL	251.80	-	110	56	71	20
48-T20-71	48	6A	AL	302.70	-	130	56	71	24
60-T20-71	60	6A	AL	379.10	-	130	56	71	24
72-T20-71	72	6A	AL	455.50	-	140	56	71	24

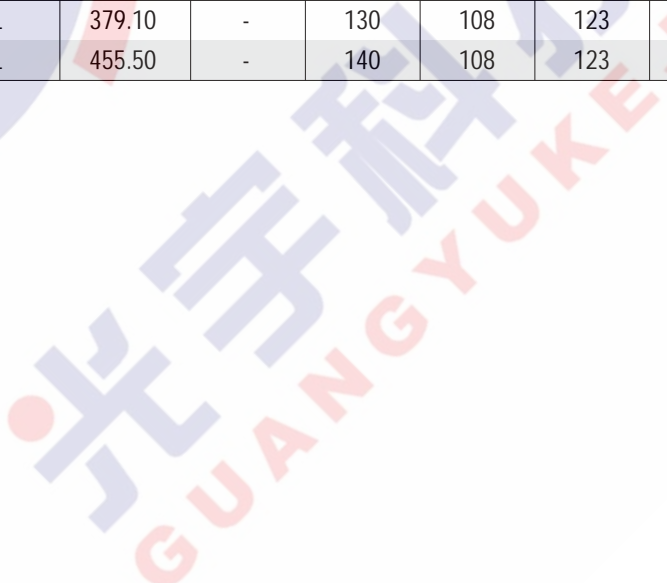




T20-123(节距20,带宽100mm)

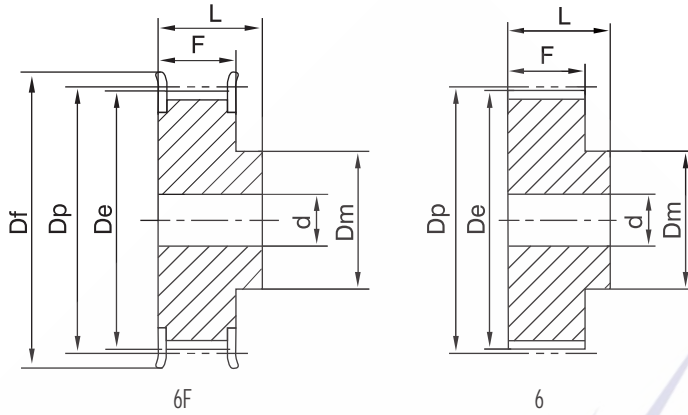


型号	齿数	结构	材料	De	Df	Dm	F	L	d
18-T20-123	18	6F	AL	111.75	120	80	108	123	24
20-T20-123	20	6F	AL	124.50	142	90	108	123	24
22-T20-123	22	6F	AL	137.20	150	90	108	123	24
24-T20-123	24	6F	AL	149.95	158	95	108	123	24
25-T20-123	25	6F	AL	156.30	168	95	108	123	24
30-T20-123	30	6F	AL	188.15	200	110	108	123	24
32-T20-123	32	6W	AL	200.85	216	110	108	123	24
36-T20-123	36	6W	AL	226.35	-	110	108	123	32
40-T20-123	40	6A	AL	251.80	-	110	108	123	32
48-T20-123	48	6A	AL	302.70	-	130	108	123	32
60-T20-123	60	6A	AL	379.10	-	130	108	123	32
72-T20-123	72	6A	AL	455.50	-	140	108	123	32





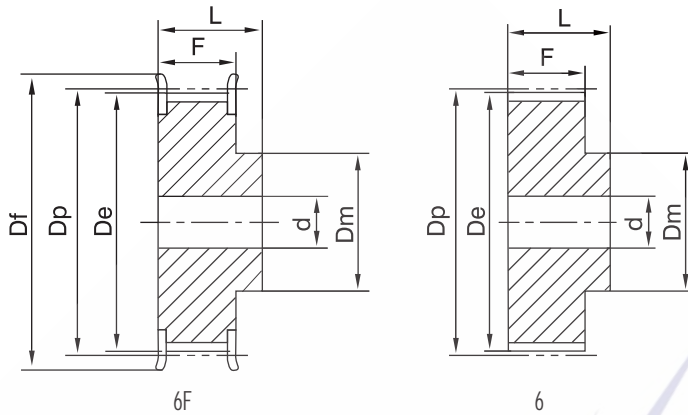
AT5-21(节距5,带宽10mm)



型号	齿数	结构	材料	De	Df	Dm	F	L	d
12-AT5-21	12	6F	AL	17.85	23	11	15	21	-
14-AT5-21	14	6F	AL	21.05	25	14	15	21	-
15-AT5-21	15	6F	AL	22.65	28	16	15	21	-
16-AT5-21	16	6F	AL	24.20	32	18	15	21	-
18-AT5-21	18	6F	AL	27.40	32	20	15	21	-
19-AT5-21	19	6F	AL	29.00	36	22	15	21	-
20-AT5-21	20	6F	AL	30.60	36	23	15	21	-
22-AT5-21	22	6F	AL	33.85	38	24	15	21	-
24-AT5-21	24	6F	AL	37.00	42	26	15	21	-
25-AT5-21	25	6F	AL	38.60	44	26	15	21	-
26-AT5-21	26	6F	AL	40.20	44	26	15	21	-
27-AT5-21	27	6F	AL	41.80	48	30	15	21	8
28-AT5-21	28	6F	AL	43.35	48	32	15	21	8
30-AT5-21	30	6F	AL	46.55	51	34	15	21	8
32-AT5-21	32	6F	AL	49.70	54	36	15	21	8
36-AT5-21	36	6F	AL	56.05	64	38	15	21	8
40-AT5-21	40	6F	AL	62.45	66.5	40	15	21	8
42-AT5-21	42	6F	AL	65.60	70	40	15	21	8
44-AT5-21	44	6	AL	68.80	-	45	15	21	8
48-AT5-21	48	6	AL	75.15	-	50	15	21	8
60-AT5-21	60	6	AL	94.25	-	65	15	21	8



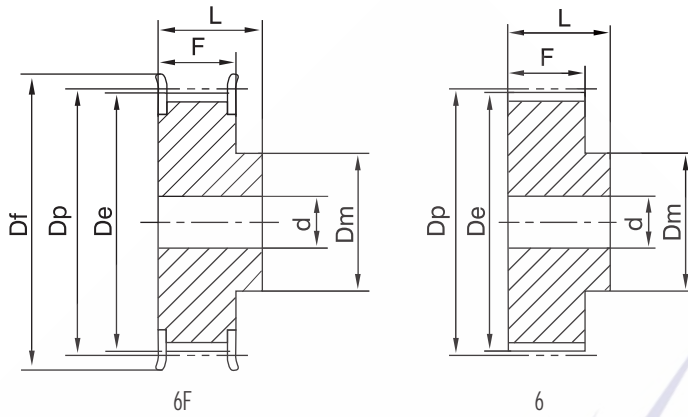
AT5-27(节距5,带宽16mm)



型号	齿数	结构	材料	De	Df	Dm	F	L	d
12-AT5-27	12	6F	AL	17.85	23	11	21	27	-
14-AT5-27	14	6F	AL	21.05	25	14	21	27	-
16-AT5-27	16	6F	AL	24.20	32	18	21	27	-
18-AT5-27	18	6F	AL	27.40	32	20	21	27	-
19-AT5-27	19	6F	AL	29.00	36	22	21	27	-
20-AT5-27	20	6F	AL	30.60	36	23	21	27	-
21-AT5-27	21	6F	AL	22.65	28	16	21	27	-
22-AT5-27	22	6F	AL	33.85	38	24	21	27	-
24-AT5-27	24	6F	AL	37.00	42	26	21	27	-
25-AT5-27	25	6F	AL	38.60	44	26	21	27	-
26-AT5-27	26	6F	AL	40.20	44	26	21	27	6
27-AT5-27	27	6F	AL	41.80	48	30	21	27	8
28-AT5-27	28	6F	AL	43.35	48	32	21	27	8
30-AT5-27	30	6F	AL	46.55	51	34	21	27	8
32-AT5-27	32	6F	AL	49.70	54	36	21	27	8
36-AT5-27	36	6F	AL	56.05	64	38	21	27	8
40-AT5-27	40	6F	AL	62.45	66.5	40	21	27	8
42-AT5-27	42	6F	AL	65.60	70	40	21	27	8
44-AT5-27	44	6	AL	68.80	-	45	21	27	8
48-AT5-27	48	6	AL	75.21	-	50	21	27	8
60-AT5-27	60	6	AL	94.25	-	65	21	27	8



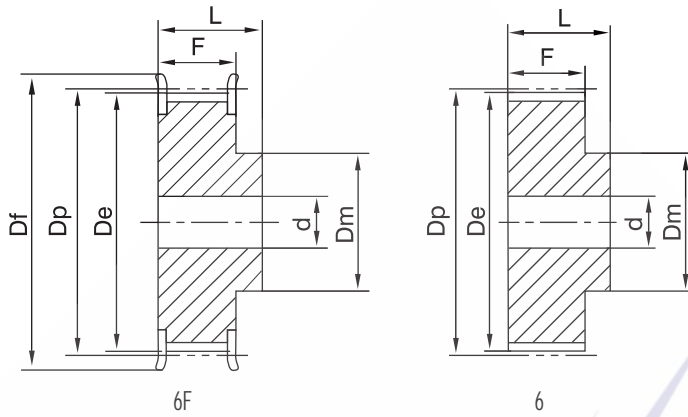
AT5-36(节距5,带宽25mm)



型号	齿数	结构	材料	De	Df	Dm	F	L	d
12-AT5-36	12	6F	AL	17.85	23	11	30	36	-
14-AT5-36	14	6F	AL	21.05	25	14	30	36	-
16-AT5-36	16	6F	AL	24.20	32	18	30	36	-
18-AT5-36	18	6F	AL	27.40	32	20	30	36	-
19-AT5-36	19	6F	AL	29.00	36	22	30	36	-
20-AT5-36	20	6F	AL	30.60	36	23	30	36	-
21-AT5-36	21	6F	AL	22.65	28	16	30	36	-
22-AT5-36	22	6F	AL	33.85	38	24	30	36	-
24-AT5-36	24	6F	AL	37.00	42	26	30	36	8
25-AT5-36	25	6F	AL	38.60	44	26	30	36	8
26-AT5-36	26	6F	AL	40.20	44	26	30	36	8
27-AT5-36	27	6F	AL	41.80	48	30	30	36	8
28-AT5-36	28	6F	AL	43.35	48	32	30	36	8
30-AT5-36	30	6F	AL	46.55	51	34	30	36	8
32-AT5-36	32	6F	AL	49.70	54	36	30	36	8
36-AT5-36	36	6F	AL	56.05	64	38	30	36	8
40-AT5-36	40	6F	AL	62.45	66.5	40	30	36	8
42-AT5-36	42	6F	AL	65.60	70	40	30	36	8
44-AT5-36	44	6	AL	68.80	-	45	30	36	8
48-AT5-36	48	6	AL	75.21	-	50	30	36	8
60-AT5-36	60	6	AL	94.25	-	65	30	36	8



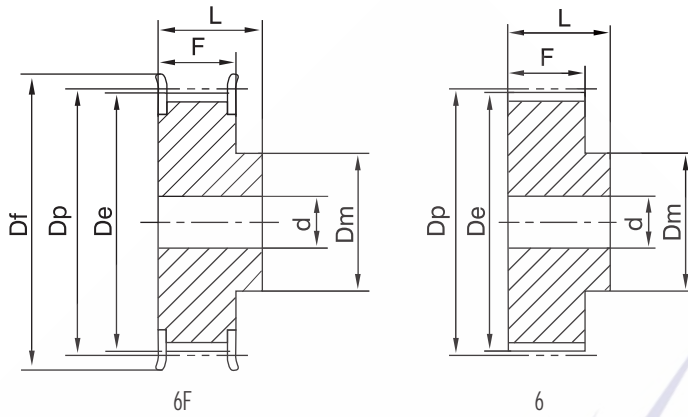
AT10-31(节距10,带宽16mm)



型号	齿数	结构	材料	De	Df	Dm	F	L	d
15-AT10-31	15	6F	AL	45.90	51	31	21	31	8
16-AT10-31	16	6F	AL	49.05	54	35	21	31	8
18-AT10-31	18	6F	AL	55.45	60	40	21	31	8
19-AT10-31	19	6F	AL	58.60	66	44	21	31	8
20-AT10-31	20	6F	AL	61.80	66	46	21	31	8
22-AT10-31	22	6F	AL	68.15	75	52	21	31	8
24-AT10-31	24	6F	AL	74.55	83	58	21	31	8
25-AT10-31	25	6F	AL	77.70	83	60	21	31	8
26-AT10-31	26	6F	AL	80.90	87	60	21	31	8
27-AT10-31	27	6F	AL	84.10	91	60	21	31	8
28-AT10-31	28	6F	AL	87.25	93	60	21	31	8
30-AT10-31	30	6F	AL	93.65	97	60	21	31	8
32-AT10-31	32	6F	AL	100.00	106	65	21	31	10
36-AT10-31	36	6F	AL	112.75	119	70	21	31	10
40-AT10-31	40	6F	AL	125.45	131	80	21	31	10
44-AT10-31	44	6	AL	138.20	-	88	21	31	10
48-AT10-31	48	6	AL	150.95	-	95	21	31	16
60-AT10-31	60	6	AL	189.10	-	110	21	31	16



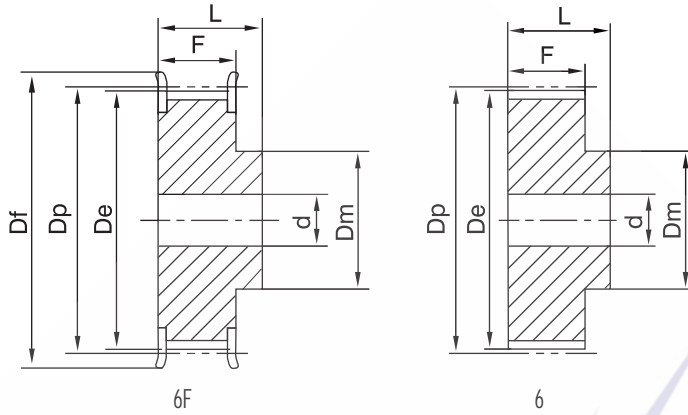
AT10-40(节距10,带宽25mm)



型号	齿数	结构	材料	De	Df	Dm	F	L	d
15-AT10-40	15	6F	AL	45.90	51	31	30	40	8
16-AT10-40	16	6F	AL	49.05	54	35	30	40	8
18-AT10-40	18	6F	AL	55.45	60	40	30	40	8
19-AT10-40	19	6F	AL	58.60	66	44	30	40	8
20-AT10-40	20	6F	AL	61.80	66	46	30	40	8
22-AT10-40	22	6F	AL	68.15	75	52	30	40	8
24-AT10-40	24	6F	AL	74.55	83	58	30	40	8
25-AT10-40	25	6F	AL	77.70	83	60	30	40	8
26-AT10-40	26	6F	AL	80.90	87	60	30	40	8
27-AT10-40	27	6F	AL	84.10	91	60	30	40	8
28-AT10-40	28	6F	AL	87.25	93	60	30	40	8
30-AT10-40	30	6F	AL	93.65	97	60	30	40	8
32-AT10-40	32	6F	AL	100.00	106	65	30	40	10
36-AT10-40	36	6F	AL	112.75	119	70	30	40	10
40-AT10-40	40	6F	AL	125.45	131	80	30	40	10
44-AT10-40	44	6	AL	138.20	-	88	30	40	10
48-AT10-40	48	6	AL	150.95	-	95	30	40	16
60-AT10-40	60	6	AL	189.10	-	110	30	40	16



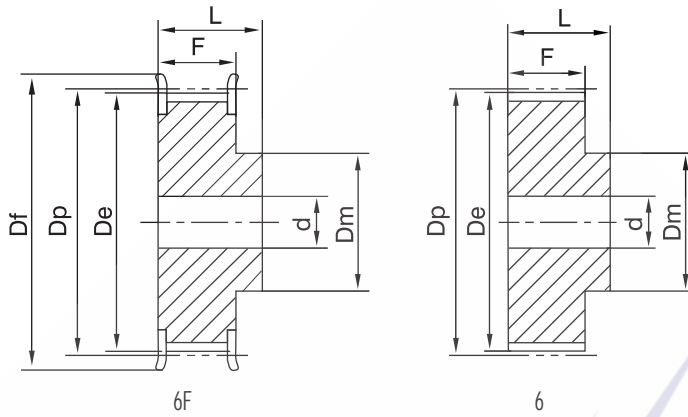
AT10-47(节距10,带宽30mm)



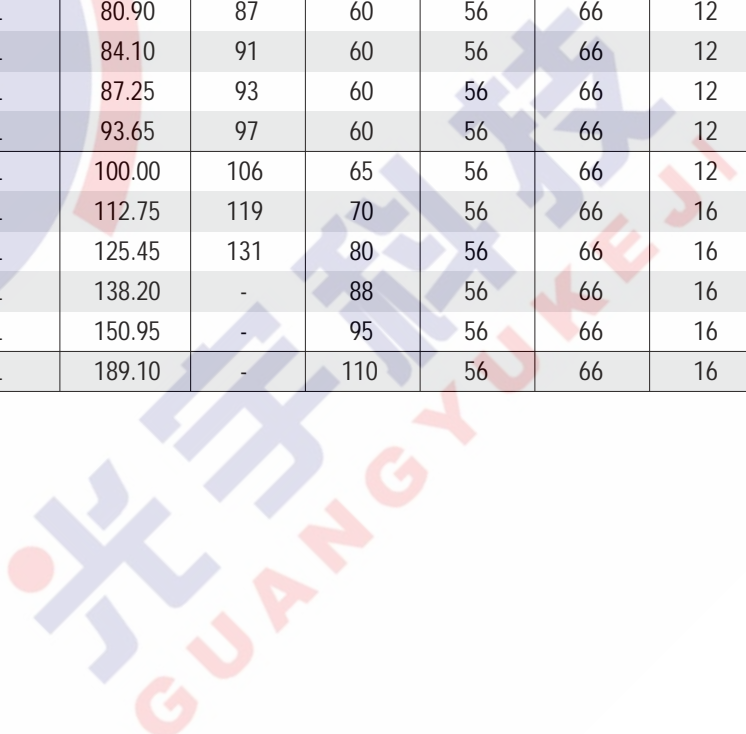
型号	齿数	结构	材料	De	Df	Dm	F	L	d
18-AT10-47	18	6F	AL	55.45	60	40	37	47	10
19-AT10-47	19	6F	AL	58.60	66	44	37	47	10
20-AT10-47	20	6F	AL	61.80	66	46	37	47	12
22-AT10-47	22	6F	AL	68.15	75	52	37	47	12
24-AT10-47	24	6F	AL	74.55	83	58	37	47	12
25-AT10-47	25	6F	AL	77.70	83	60	37	47	12
26-AT10-47	26	6F	AL	80.90	87	60	37	47	12
27-AT10-47	27	6F	AL	84.10	91	60	37	47	12
28-AT10-47	28	6F	AL	87.25	93	60	37	47	12
30-AT10-47	30	6F	AL	93.65	97	60	37	47	12
32-AT10-47	32	6F	AL	100.00	106	65	37	47	12
36-AT10-47	36	6F	AL	112.75	119	70	37	47	16
40-AT10-47	40	6F	AL	125.45	131	80	37	47	16
44-AT10-47	44	6	AL	138.20	-	88	37	47	16
48-AT10-47	48	6	AL	150.95	-	95	37	47	16
60-AT10-47	60	6	AL	189.10	-	110	37	47	16



AT10-66(节距10,带宽50mm)

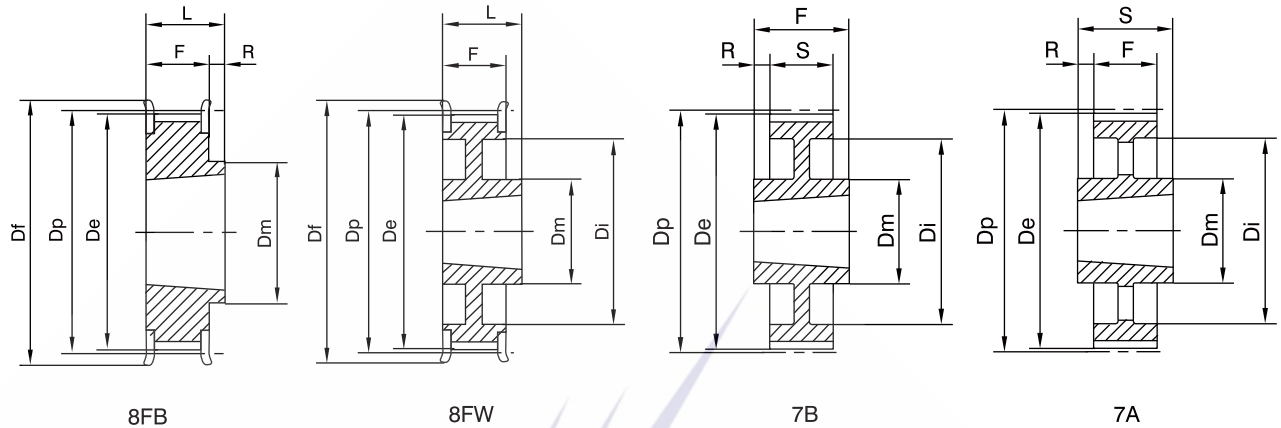


型号	齿数	结构	材料	De	Df	Dm	F	L	d
18-AT10-66	18	6F	AL	55.45	60	40	56	66	10
19-AT10-66	19	6F	AL	58.60	66	44	56	66	10
20-AT10-66	20	6F	AL	61.80	66	46	56	66	12
22-AT10-66	22	6F	AL	68.15	75	52	56	66	12
24-AT10-66	24	6F	AL	74.55	83	58	56	66	12
25-AT10-66	25	6F	AL	77.70	83	60	56	66	12
26-AT10-66	26	6F	AL	80.90	87	60	56	66	12
27-AT10-66	27	6F	AL	84.10	91	60	56	66	12
28-AT10-66	28	6F	AL	87.25	93	60	56	66	12
30-AT10-66	30	6F	AL	93.65	97	60	56	66	12
32-AT10-66	32	6F	AL	100.00	106	65	56	66	12
36-AT10-66	36	6F	AL	112.75	119	70	56	66	16
40-AT10-66	40	6F	AL	125.45	131	80	56	66	16
44-AT10-66	44	6	AL	138.20	-	88	56	66	16
48-AT10-66	48	6	AL	150.95	-	95	56	66	16
60-AT10-66	60	6	AL	189.10	-	110	56	66	16





锥孔TL-L050系列(9.525mm)



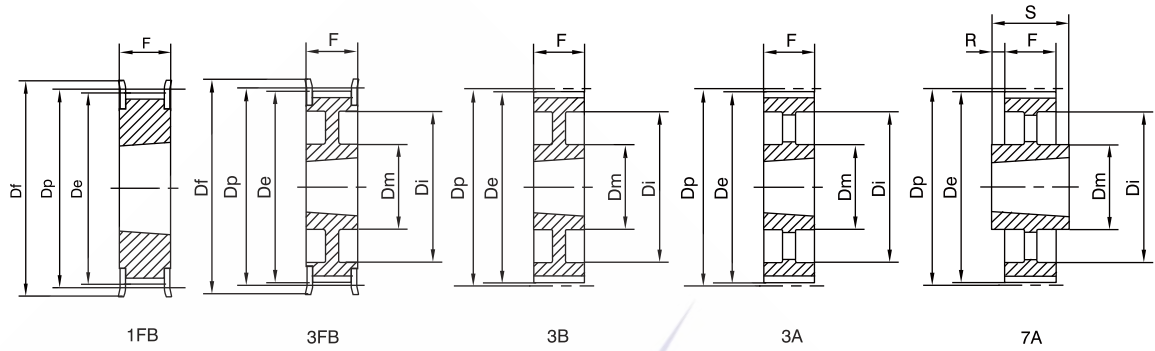
型号	齿数	结构	材料	锥孔号	DP	De	Df	Dm	Di	F	S	R
TL-18-L050	18	8FB	STEEL	1108	54.57	53.81	60	45	-	19	22	3
TL-19-L050	19	8FB	STEEL	1108	57.61	56.84	64	45	-	19	22	3
TL-20-L050	20	8FB	STEEL	1108	60.64	59.88	66.5	48	-	19	22	3
TL-21-L050	21	8FB	STEEL	1108	63.67	62.91	70	48	-	19	22	3
TL-22-L050	22	8FB	STEEL	1108	66.70	65.94	75	51	-	19	22	3
TL-23-L050	23	8FB	STEEL	1108	69.73	68.97	79	54	-	19	22	3
TL-24-L050	24	8FB	STEEL	1108	72.77	72.00	79	54	-	19	22	3
TL-25-L050	25	8FB	STEEL	1108	75.80	75.04	82.5	56	-	19	22	3
TL-26-L050	26	8FB	STEEL	1108	78.83	78.07	86	60	-	19	22	3
TL-27-L050	27	8FB	STEEL	1108	81.86	81.10	86	62	-	19	22	3
TL-28-L050	28	8FB	STEEL	1108	84.89	84.13	91	65	-	19	22	3
TL-30-L050	30	8FB	STEEL	1108	90.96	90.20	97	70	-	19	22	3
TL-32-L050	32	8FB	STEEL	1108	97.02	96.26	102	74	-	19	22	3
TL-36-L050	36	8FB	STEEL	1108	109.15	108.39	115	85	-	19	22	3
TL-40-L050	40	8FB	STEEL	1610	121.28	120.51	128	88	-	19	25	3
TL-44-L050	44	8FW	STEEL	1610	133.40	132.64	142	88	110	19	25	3
TL-48-L050	48	8FW	STEEL	1610	145.53	144.77	150	88	120	19	25	3
TL-60-L050	60	7B	STEEL	1610	181.91	181.15	-	92	166	19	25	3
TL-72-L050	72	7A	CAST IRON	1610	218.30	217.53	-	92	202	19	25	3
TL-84-L050	84	7A	CAST IRON	1610	254.68	253.90	-	92	236	19	25	3
TL-96-L050	96	7A	CAST IRON	2012	291.06	290.30	-	106	270	19	32	6.5
TL-120-L050	120	7A	CAST IRON	2012	363.83	363.07	-	106	343	19	32	6.5

锥套型号	内径																				
	10	11	12	14	16	18	19	20	22	24	25	28	30	32	35	38	40	42	45	48	50
1108																					
1210																					
1610																					
2012																					

备注: 键槽高度比标准略低



锥孔TL-L075系列(9.525mm)



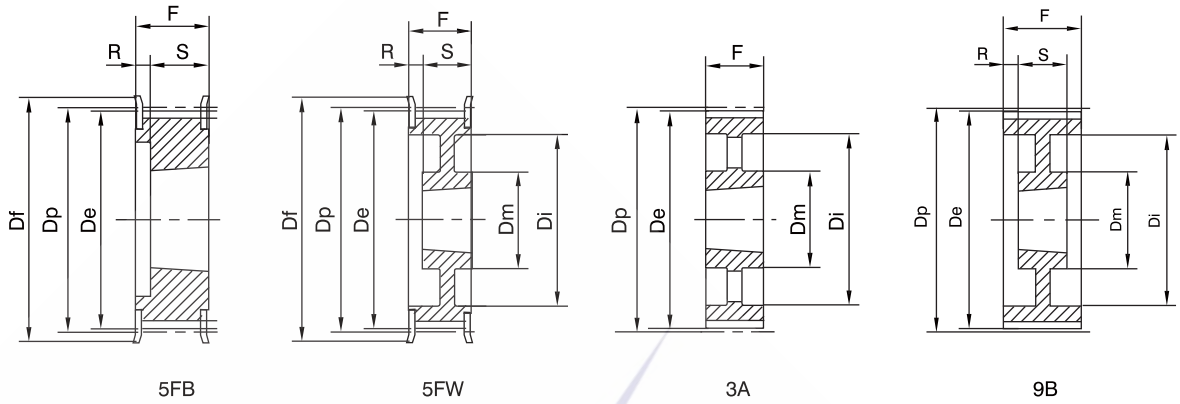
型号	齿数	结构	材料	锥孔号	DP	De	Df	Dm	Di	F	S	R
TL-18-L075	18	1FB	STEEL	1108	54.57	53.81	60	-	-	25	25	-
TL-19-L075	19	1FB	STEEL	1108	57.61	56.84	64	-	-	25	25	-
TL-20-L075	20	1FB	STEEL	1108	60.64	59.88	66.5	-	-	25	25	-
TL-21-L075	21	1FB	STEEL	1108	63.67	62.91	70	-	-	25	25	-
TL-22-L075	22	1FB	STEEL	1108	66.70	65.94	75	-	-	25	25	-
TL-23-L075	23	1FB	STEEL	1108	69.73	68.97	79	-	-	25	25	-
TL-24-L075	24	1FB	STEEL	1108	72.77	72.00	79	-	-	25	25	-
TL-25-L075	25	1FB	STEEL	1108	75.80	75.04	82.5	-	-	25	25	-
TL-26-L075	26	1FB	STEEL	1108	78.83	78.07	86	-	-	25	25	-
TL-27-L075	27	1FB	STEEL	1108	81.86	81.10	86	-	-	25	25	-
TL-28-L075	28	1FB	STEEL	1108	84.89	84.13	91	-	-	25	25	-
TL-30-L075	30	1FB	STEEL	1108	90.96	90.20	97	-	-	25	25	-
TL-32-L075	32	1FB	STEEL	1108	97.02	96.26	102	-	-	25	25	-
TL-36-L075	36	1FB	STEEL	1610	109.15	108.39	115	-	-	25	25	-
TL-40-L075	40	1FB	STEEL	1610	121.28	120.51	128	-	-	25	25	-
TL-44-L075	44	3FB	STEEL	1610	133.40	132.64	142	90	110	25	25	-
TL-48-L075	48	3FB	STEEL	1610	145.53	144.77	150	92	120	25	25	-
TL-60-L075	60	3B	STEEL	1610	181.91	181.15	-	92	166	25	25	-
TL-72-L075	72	3A	CAST IRON	1610	218.30	217.53	-	92	202	25	25	-
TL-84-L075	84	7A	CAST IRON	2012	254.68	253.90	-	92	236	25	32	3.5
TL-96-L075	96	7A	CAST IRON	2012	291.06	290.30	-	106	270	25	32	3.5
TL-120-L075	120	7A	CAST IRON	2012	363.83	363.07	-	106	343	25	32	3.5

锥套型号	内径																				
	10	11	12	14	16	18	19	20	22	24	25	28	30	32	35	38	40	42	45	48	50
1108																					
1210																					
1610																					
2012																					

备注: 键槽高度比标准略低



锥孔TL-L100系列(9.525mm)



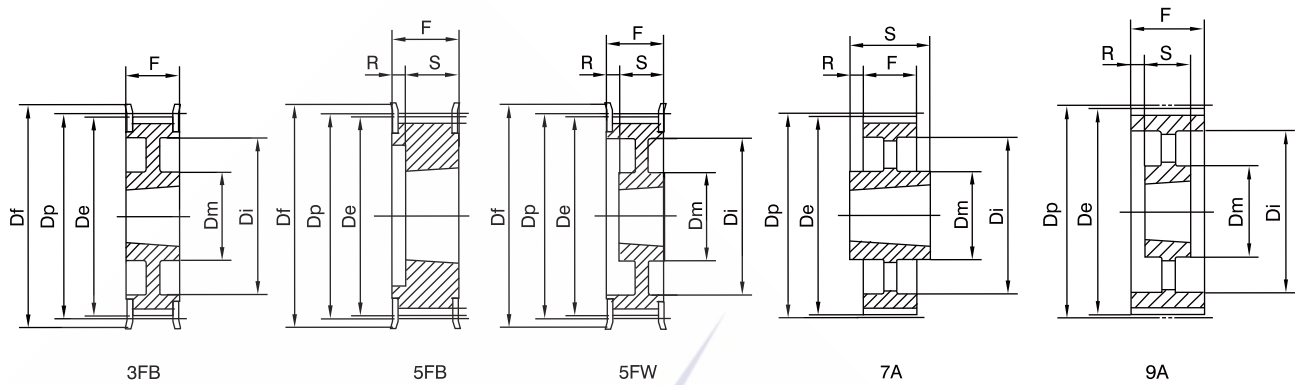
型号	齿数	结构	材料	锥孔号	DP	De	Df	Dm	Di	F	S	R
TL-18-L100	18	5FB	STEEL	1108	54.57	53.81	60	-	38	31	22	9
TL-19-L100	19	5FB	STEEL	1108	57.61	56.84	64	-	38	31	22	9
TL-20-L100	20	5FB	STEEL	1108	60.64	59.88	66.5	-	45	31	22	9
TL-21-L100	21	5FB	STEEL	1108	63.67	62.91	70	-	45	31	22	9
TL-22-L100	22	5FB	STEEL	1108	66.70	65.94	75	-	48	31	22	9
TL-23-L100	23	5FB	STEEL	1108	69.73	68.97	79	-	52	32	22	10
TL-24-L100	24	5FB	STEEL	1108	72.77	72.00	79	-	52	32	22	10
TL-25-L100	25	5FB	STEEL	1108	75.80	75.04	82.5	-	54	32	22	10
TL-26-L100	26	5FB	STEEL	1108	78.83	78.07	86	-	60	32	22	10
TL-27-L100	27	5FB	STEEL	1108	81.86	81.10	86	-	60	32	22	10
TL-28-L100	28	5FB	STEEL	1108	84.89	84.13	91	-	65	32	22	10
TL-30-L100	30	5FB	STEEL	1210	90.96	90.20	97	-	71	32	25	7
TL-32-L100	32	5FB	STEEL	1210	97.02	96.26	102	-	75	32	25	7
TL-36-L100	36	5FB	STEEL	1610	109.15	108.39	115	-	86	32	25	7
TL-40-L100	40	5FB	STEEL	1610	121.28	120.51	128	-	96	32	25	7
TL-44-L100	44	5FW	STEEL	1610	133.40	132.64	142	90	110	32	25	7
TL-48-L100	48	5FW	STEEL	1610	145.53	144.77	150	92	120	32	25	7
TL-60-L100	60	9B	STEEL	1610	181.91	181.15	-	92	166	32	25	3.5
TL-72-L100	72	3A	CAST IRON	2012	218.30	217.53	-	92	202	32	32	-
TL-84-L100	84	3A	CAST IRON	2012	254.68	253.90	-	92	236	32	32	-
TL-96-L100	96	3A	CAST IRON	2012	291.06	290.30	-	106	270	32	32	-
TL-120-L100	120	3A	CAST IRON	2012	363.83	363.07	-	106	343	32	32	-

锥套型号	内径																				
	10	11	12	14	16	18	19	20	22	24	25	28	30	32	35	38	40	42	45	48	50
1108																					
1210																					
1610																					
2012																					

备注: 键槽高度比标准略低



锥孔TL-H100系列(12.700mm)



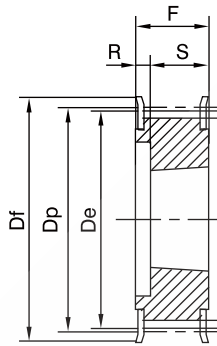
型号	齿数	结构	材料	锥孔号	DP	De	Df	Dm	Di	F	S	R
TL-16-H100	16	5FB	STEEL	1108	64.68	63.31	70	-	45	31	22	9
TL-18-H100	18	5FB	STEEL	1210	72.77	71.39	79	-	52	31	25	6
TL-19-H100	19	5FB	STEEL	1210	76.81	75.44	82.5	-	56	31	25	6
TL-20-H100	20	5FB	STEEL	1210	80.85	79.48	87	-	60	31	25	6
TL-21-H100	21	5FB	STEEL	1210	84.89	83.52	91	-	64	32	25	7
TL-22-H100	22	5FB	STEEL	1210	88.94	87.56	94	-	67	32	25	7
TL-23-H100	23	5FB	STEEL	1610	92.98	91.61	97	-	70	32	25	7
TL-24-H100	24	5FB	STEEL	1610	97.02	95.65	102	-	74	32	25	7
TL-25-H100	25	5FB	STEEL	1610	101.06	99.69	106	-	77	32	25	7
TL-26-H100	26	5FB	STEEL	1610	105.11	103.73	112	-	82	32	25	7
TL-27-H100	27	5FB	STEEL	1610	109.15	107.78	115	-	85	32	25	7
TL-28-H100	28	5FB	STEEL	1610	113.19	111.82	120	-	90	32	25	7
TL-30-H100	30	5FB	STEEL	1610	121.28	111.90	128	-	98	32	25	7
TL-32-H100	32	5FW	STEEL	1610	129.36	127.99	135	80	106	32	25	7
TL-36-H100	36	5FW	STEEL	1610	145.53	144.16	150	92	121	32	25	7
TL-40-H100	40	5FW	STEEL	1610	161.70	160.33	168	92	138	32	25	7
TL-44-H100	44	3FB	STEEL	2012	177.87	176.50	184	106	152	32	32	0
TL-48-H100	48	3FB	STEEL	2012	194.04	192.67	200	106	169	32	32	0
TL-60-H100	60	9A	CAST IRON	2012	242.55	241.18	-	92	223	34	32	1
TL-72-H100	72	9A	CAST IRON	2012	291.06	289.69	-	92	270	34	32	1
TL-84-H100	84	9A	CAST IRON	2012	339.57	338.20	-	92	318	34	32	1
TL-96-H100	96	7A	CAST IRON	2517	388.08	386.71	-	106	366	34	45	5.5
TL-120-H100	120	7A	CAST IRON	2517	485.10	483.73	-	106	462	34	45	5.5

锥套型号	内径																					
	11	12	14	16	18	19	20	22	24	25	28	30	32	35	38	40	42	45	48	50	55	60
1210																						
1610																						
2012																						
2517																						

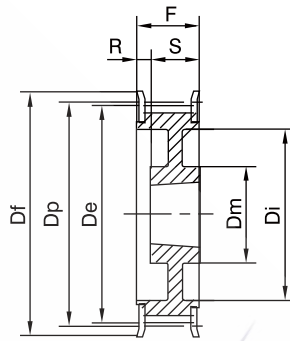
备注: 键槽高度比标准略低



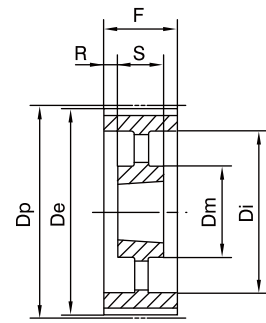
锥孔TL-H150系列(12.700mm)



5FB



5FW



9A

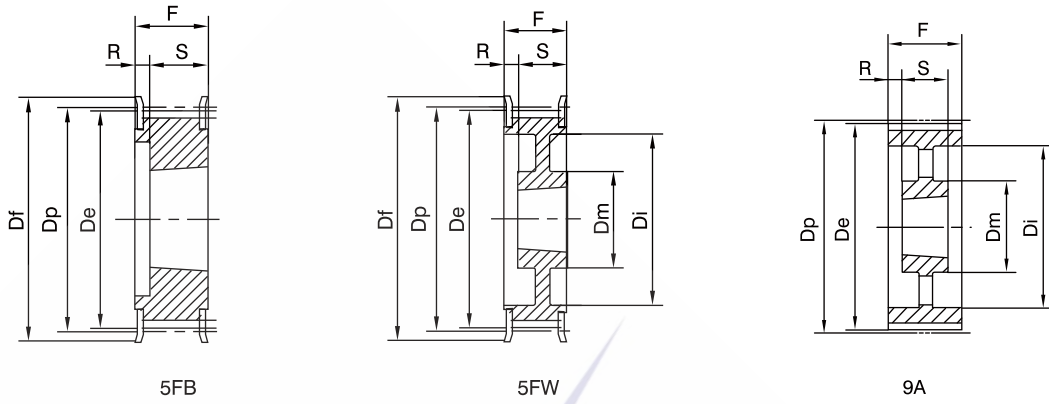
型号	齿数	结构	材料	锥孔号	DP	De	Df	Dm	Di	F	S	R
TL-18-H150	18	5FB	STEEL	1210	72.77	71.39	79	-	52	45	25	20
TL-19-H150	19	5FB	STEEL	1210	76.81	75.44	82.5	-	56	45	25	20
TL-20-H150	20	5FB	STEEL	1210	80.85	79.48	87	-	60	45	25	20
TL-21-H150	21	5FB	STEEL	1210	84.89	83.52	91	-	64	45	25	20
TL-22-H150	22	5FB	STEEL	1210	88.94	87.56	94	-	67	45	25	20
TL-23-H150	23	5FB	STEEL	1610	92.98	91.61	97	-	70	45	25	20
TL-24-H150	24	5FB	STEEL	1610	97.02	95.65	102	-	74	45	25	20
TL-25-H150	25	5FB	STEEL	1610	101.06	99.69	106	-	77	45	25	20
TL-26-H150	26	5FB	STEEL	1610	105.11	103.73	112	-	82	45	25	20
TL-27-H150	27	5FB	STEEL	1610	109.15	107.78	115	-	85	45	25	20
TL-28-H150	28	5FB	STEEL	1610	113.19	111.82	120	-	90	45	25	20
TL-30-H150	30	5FB	STEEL	1610	121.28	111.90	128	-	98	45	25	20
TL-32-H150	32	5FW	STEEL	1610	129.36	127.99	135	80	106	45	25	20
TL-36-H150	36	5FW	STEEL	1610	145.53	144.16	150	92	121	45	25	20
TL-40-H150	40	5FW	STEEL	1610	161.70	160.33	168	92	138	45	25	20
TL-44-H150	44	5FW	STEEL	2012	177.87	176.50	184	106	152	45	32	13
TL-48-H150	48	5FW	STEEL	2012	194.04	192.67	200	106	169	45	32	13
TL-60-H150	60	9A	CAST IRON	2012	242.55	241.18	-	92	223	46	32	7.5
TL-72-H150	72	9A	CAST IRON	2012	291.06	289.69	-	92	270	46	32	7.5
TL-84-H150	84	9A	CAST IRON	2012	339.57	338.20	-	92	318	46	32	7.5
TL-96-H150	96	9A	CAST IRON	2517	388.08	386.71	-	106	366	46	45	0.5
TL-120-H150	120	9A	CAST IRON	2517	485.10	483.73	-	106	462	46	45	0.5

锥套型号	内径																						
	11	12	14	16	18	19	20	22	24	25	28	30	32	35	38	40	42	45	48	50	55	60	
1210																							
1610																							
2012																							
2517																							

备注: 键槽高度比标准略低



锥孔TL-H200系列(12.700mm)



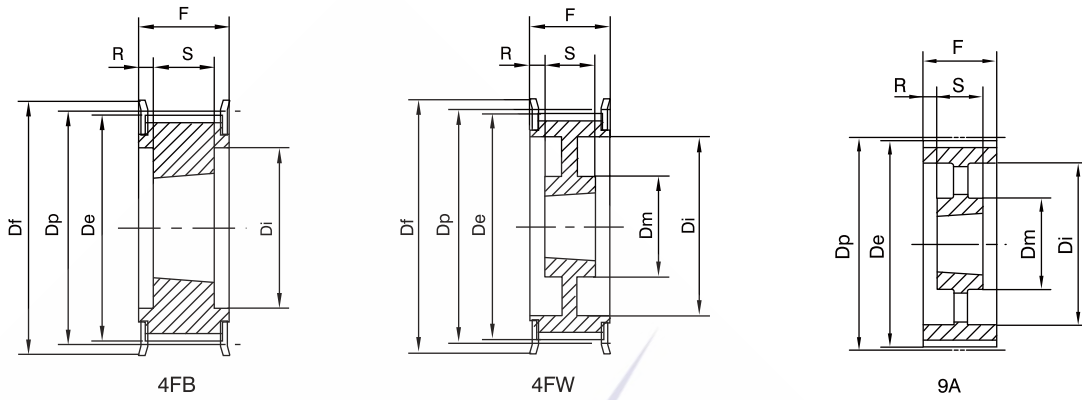
型号	齿数	结构	材料	锥孔号	DP	De	Df	Dm	Di	F	S	R
TL-18-H200	18	5FB	STEEL	1210	72.77	71.39	79	-	52	58	25	33
TL-19-H200	19	5FB	STEEL	1210	76.81	75.44	82.5	-	56	58	25	33
TL-20-H200	20	5FB	STEEL	1610	80.85	79.48	87	-	60	58	25	33
TL-21-H200	21	5FB	STEEL	1610	84.89	83.52	91	-	64	58	25	33
TL-22-H200	22	5FB	STEEL	1610	88.94	87.56	94	-	67	58	25	33
TL-23-H200	23	5FB	STEEL	1610	92.98	91.61	97	-	70	58	25	33
TL-24-H200	24	5FB	STEEL	1610	97.02	95.65	102	-	74	58	25	33
TL-25-H200	25	5FB	STEEL	1610	101.06	99.69	106	-	77	58	25	33
TL-26-H200	26	5FB	STEEL	1610	105.11	103.73	112	-	82	58	25	33
TL-27-H200	27	5FB	STEEL	1610	109.15	107.78	115	-	85	58	25	33
TL-28-H200	28	5FB	STEEL	1610	113.19	111.82	120	-	90	58	25	33
TL-30-H200	30	5FB	STEEL	1610	121.28	111.90	128	-	98	58	25	33
TL-32-H200	32	5FB	STEEL	2012	129.36	127.99	135	-	106	58	32	26
TL-36-H200	36	5FW	STEEL	2012	145.53	144.16	150	102	121	58	32	26
TL-40-H200	40	5FW	STEEL	2012	161.70	160.33	168	106	138	58	32	26
TL-44-H200	44	5FW	STEEL	2012	177.87	176.50	184	106	152	58	32	26
TL-48-H200	48	5FW	STEEL	2517	194.04	192.67	200	119	169	58	45	13
TL-60-H200	60	9A	CAST IRON	2517	242.55	241.18	-	119	223	60	45	7.5
TL-72-H200	72	9A	CAST IRON	2517	291.06	289.69	-	119	270	60	45	7.5
TL-84-H200	84	9A	CAST IRON	2517	339.57	338.20	-	119	318	60	45	7.5
TL-96-H200	96	9A	CAST IRON	2517	388.08	386.71	-	119	366	60	45	7.5
TL-120-H200	120	9A	CAST IRON	2517	485.10	483.73	-	119	462	60	45	7.5

锥套型号	内径																					
	11	12	14	16	18	19	20	22	24	25	28	30	32	35	38	40	42	45	48	50	55	60
1210																						
1610																						
2012																						
2517																						

备注: 键槽高度比标准略低



锥孔TL-H300系列(12.700mm)



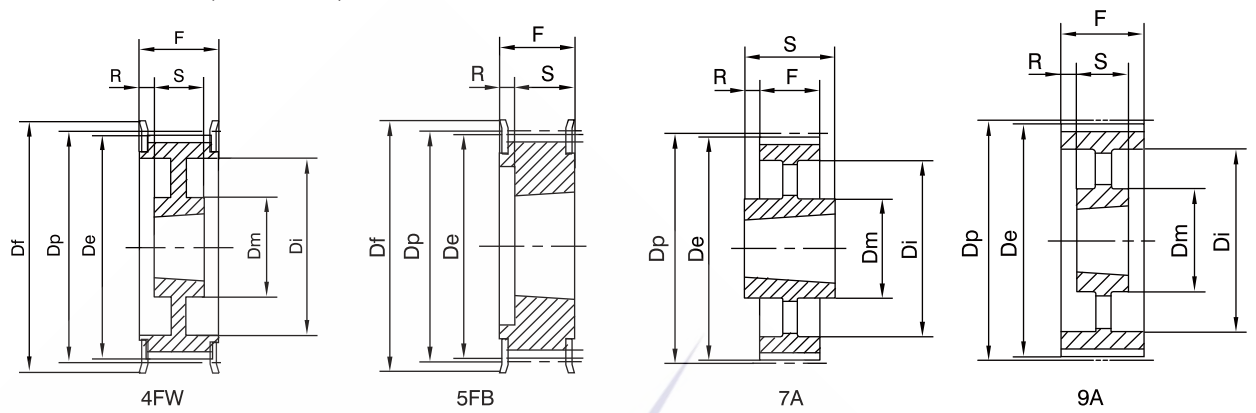
型号	齿数	结构	材料	锥孔号	DP	De	Df	Dm	Di	F	S	R
TL-20-H300	20	4FB	STEEL	1615	80.85	79.48	87	-	60	84	38	23
TL-21-H300	21	4FB	STEEL	1615	84.89	83.52	91	-	64	84	38	23
TL-22-H300	22	4FB	STEEL	1615	88.94	87.56	94	-	67	84	38	23
TL-23-H300	23	4FB	STEEL	1615	92.98	91.61	97	-	70	84	38	23
TL-24-H300	24	4FB	STEEL	1615	97.02	95.65	102	-	74	84	38	23
TL-25-H300	25	4FB	STEEL	1615	101.06	99.69	106	-	77	84	38	23
TL-26-H300	26	4FB	STEEL	1615	105.11	103.73	112	-	82	84	38	23
TL-27-H300	27	4FB	STEEL	2012	109.15	107.78	115	-	85	84	32	26
TL-28-H300	28	4FB	STEEL	2012	113.19	111.82	120	-	90	84	32	26
TL-30-H300	30	4FB	STEEL	2012	121.28	111.90	128	-	98	84	32	26
TL-32-H300	32	4FB	STEEL	2517	129.36	127.99	135	-	106	84	45	19.5
TL-36-H300	36	4FB	STEEL	2517	145.53	144.16	150	-	121	84	45	19.5
TL-40-H300	40	4FB	STEEL	2517	161.70	160.33	168	-	138	84	45	19.5
TL-44-H300	44	4FW	STEEL	2517	177.87	176.50	184	119	152	86	45	20.5
TL-48-H300	48	4FW	STEEL	2517	194.04	192.67	200	119	169	86	45	20.5
TL-60-H300	60	9A	CAST IRON	2517	242.55	241.18	-	119	223	86	45	20.5
TL-72-H300	72	9A	CAST IRON	2517	291.06	289.69	-	119	270	86	45	20.5
TL-84-H300	84	9A	CAST IRON	2517	339.57	338.20	-	119	318	86	45	20.5
TL-96-H300	96	9A	CAST IRON	3030	388.08	386.71	-	150	366	86	76	5
TL-120-H300	120	9A	CAST IRON	3030	485.10	483.73	-	150	462	86	76	5

锥套型号	内径																											
	14	16	18	19	20	22	24	25	28	30	32	35	38	40	42	45	48	50	55	60	65	70	75					
1615																												
2012																												
2517																												
3030																												

备注: 键槽高度比标准略低



锥孔TL-XH200系列(22.22mm)

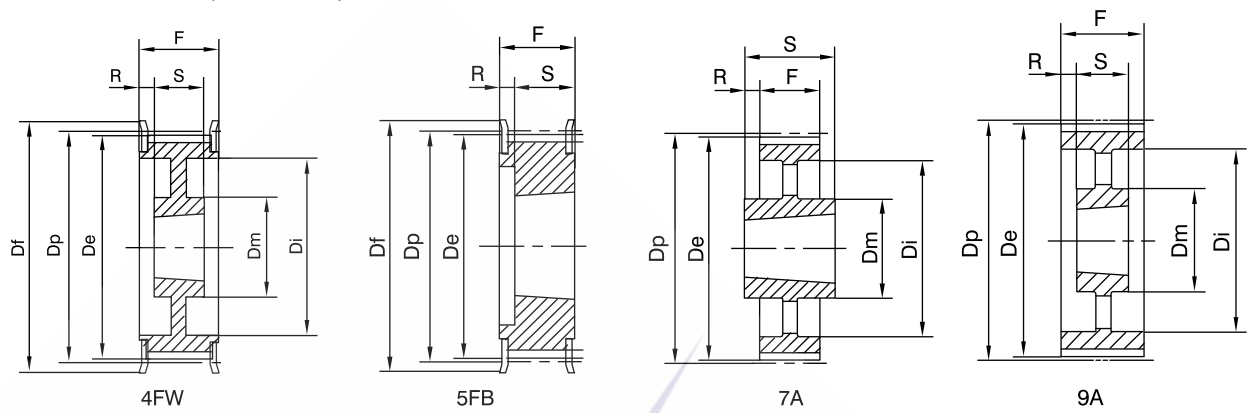


型号	齿数	结构	材料	锥孔号	DP	De	Df	Dm	Di	F	S	R
TL-18-XH200	18	5FB	CSAT IRON	2517	127.34	124.55	140	-	95	64	45	19
TL-20-XH200	20	5FB	CSAT IRON	2517	141.49	138.69	155	-	110	64	45	19
TL-22-XH200	22	5FB	CSAT IRON	2517	155.64	152.84	170	-	120	64	45	19
TL-24-XH200	24	5FB	CSAT IRON	2517	169.79	166.99	184	-	135	64	45	19
TL-26-XH200	26	5FB	CSAT IRON	2517	183.94	181.14	198	-	150	64	45	19
TL-28-XH200	28	4FW	CSAT IRON	2517	198.08	195.29	212	120	165	64	45	9.5
TL-30-XH200	30	4FW	CSAT IRON	2517	212.23	209.44	227	120	180	64	45	9.5
TL-32-XH200	32	4FW	CSAT IRON	2517	226.38	223.59	240	120	195	64	45	9.5
TL-40-XH200	40	4FW	CSAT IRON	3020	282.98	280.18	297	160	245	64	51	9.5
TL-48-XH200	48	9A	CSAT IRON	3020	339.57	336.78	-	160	300	64	51	6.5
TL-60-XH200	60	7A	CSAT IRON	3535	424.47	421.67	-	190	385	64	89	12.5
TL-72-XH200	72	7A	CSAT IRON	3535	509.36	506.56	-	190	470	64	89	12.5
TL-84-XH200	84	7A	CSAT IRON	3535	594.25	591.46	-	190	555	64	89	12.5
TL-96-XH200	96	7A	CSAT IRON	3535	679.15	676.35	-	190	640	64	89	12.5
TL-120-XH200	120	7A	CSAT IRON	3535	848.93	846.14	-	190	810	64	89	12.5

锥套型号	内径																						
	20	22	24	25	28	30	32	35	38	40	42	45	48	50	55	60	65	70	75	80	85	90	
2517																							
3020																							
3535																							



锥孔TL-XH300系列(22.22mm)

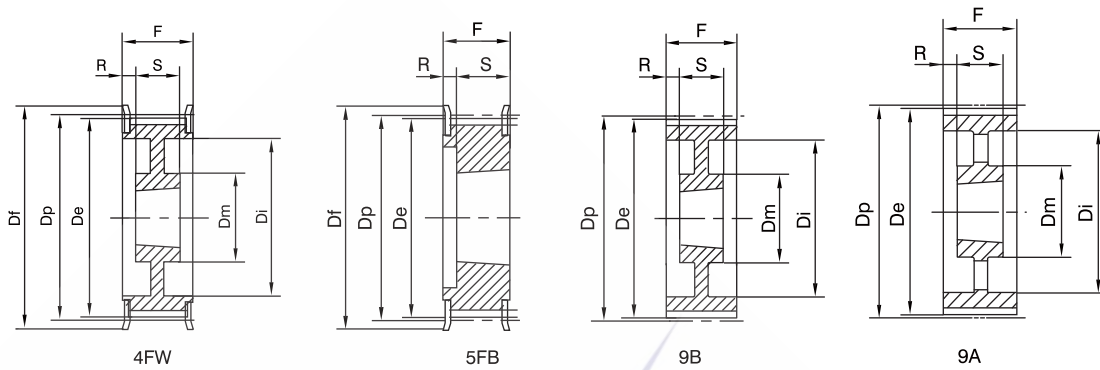


型号	齿数	结构	材料	锥孔号	DP	De	Df	Dm	Di	F	S	R
TL-18-XH300	18	5FB	CSAT IRON	2517	127.34	124.55	140	-	95	64	45	19
TL-20-XH300	20	5FB	CSAT IRON	2517	141.49	138.69	155	-	110	64	45	19
TL-22-XH300	22	5FB	CSAT IRON	2517	155.64	152.84	170	-	120	64	45	19
TL-24-XH300	24	5FB	CSAT IRON	2517	169.79	166.99	184	-	135	64	45	19
TL-26-XH300	26	5FB	CSAT IRON	2517	183.94	181.14	198	-	150	64	45	19
TL-28-XH300	28	5FB	CSAT IRON	3020	198.08	195.29	212	120	165	64	45	9.5
TL-30-XH300	30	5FB	CSAT IRON	3020	212.23	209.44	227	120	180	64	45	9.5
TL-32-XH300	32	5FB	CSAT IRON	3020	226.38	223.59	240	120	195	64	45	9.5
TL-40-XH300	40	4FW	CSAT IRON	3020	282.98	280.18	297	160	245	64	51	9.5
TL-48-XH300	48	9A	CSAT IRON	3020	339.57	336.78	-	160	300	64	51	6.5
TL-60-XH300	60	9A	CSAT IRON	3535	424.47	421.67	-	190	385	64	89	12.5
TL-72-XH300	72	9A	CSAT IRON	3535	509.36	506.56	-	190	470	64	89	12.5
TL-84-XH300	84	7A	CSAT IRON	4040	594.25	591.46	-	190	555	64	89	12.5
TL-96-XH300	96	7A	CSAT IRON	4040	679.15	676.35	-	190	640	64	89	12.5
TL-120-XH300	120	7A	CSAT IRON	4040	848.93	846.14	-	190	810	64	89	12.5

锥套型号	内径																								
	20	22	24	25	28	30	32	35	38	40	42	45	48	50	55	60	65	70	75	80	85	90	95	100	
2517																									
3020																									
3535																									
4040																									



锥孔TL-XH400系列(22.22mm)

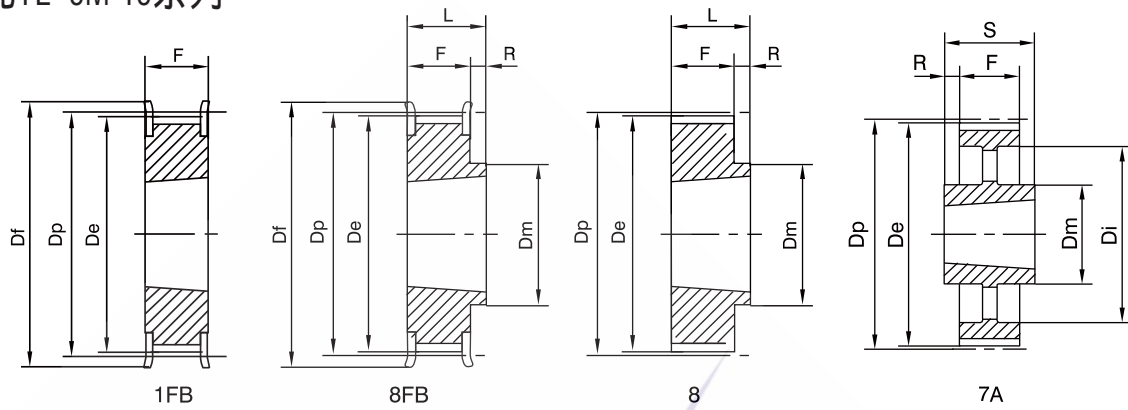


型号	齿数	结构	材料	锥孔号	DP	De	Df	Dm	Di	F	S	R
TL-18-XH400	18	5FB	CSAT IRON	2517	127.34	124.55	140	-	95	64	45	19
TL-20-XH400	20	5FB	CSAT IRON	2517	141.49	138.69	155	-	110	64	45	19
TL-22-XH400	22	5FB	CSAT IRON	2517	155.64	152.84	170	-	120	64	45	19
TL-24-XH400	24	5FB	CSAT IRON	3020	169.79	166.99	184	-	135	64	45	19
TL-26-XH400	26	5FB	CSAT IRON	3020	183.94	181.14	198	-	150	64	45	19
TL-28-XH400	28	5FB	CSAT IRON	3020	198.08	195.29	212	120	165	64	45	9.5
TL-30-XH400	30	5FB	CSAT IRON	3020	212.23	209.44	227	120	180	64	45	9.5
TL-32-XH400	32	5FB	CSAT IRON	3020	226.38	223.59	240	120	195	64	45	9.5
TL-40-XH400	40	4FW	CSAT IRON	3535	282.98	280.18	297	160	245	64	51	9.5
TL-48-XH400	48	9B	CSAT IRON	3535	339.57	336.78	-	160	300	64	51	6.5
TL-60-XH400	60	9A	CSAT IRON	4040	424.47	421.67	-	190	385	64	89	12.5
TL-72-XH400	72	9A	CSAT IRON	4040	509.36	506.56	-	190	470	64	89	12.5
TL-84-XH400	84	9A	CSAT IRON	4040	594.25	591.46	-	190	555	64	89	12.5
TL-96-XH400	96	9A	CSAT IRON	4040	679.15	676.35	-	190	640	64	89	12.5
TL-120-XH400	120	9A	CSAT IRON	4040	848.93	846.14	-	190	810	64	89	12.5

锥套型号	内径																								
	20	22	24	25	28	30	32	35	38	40	42	45	48	50	55	60	65	70	75	80	85	90	95	100	
2517																									
3020																									
3535																									
4040																									



锥孔TL-5M-15系列



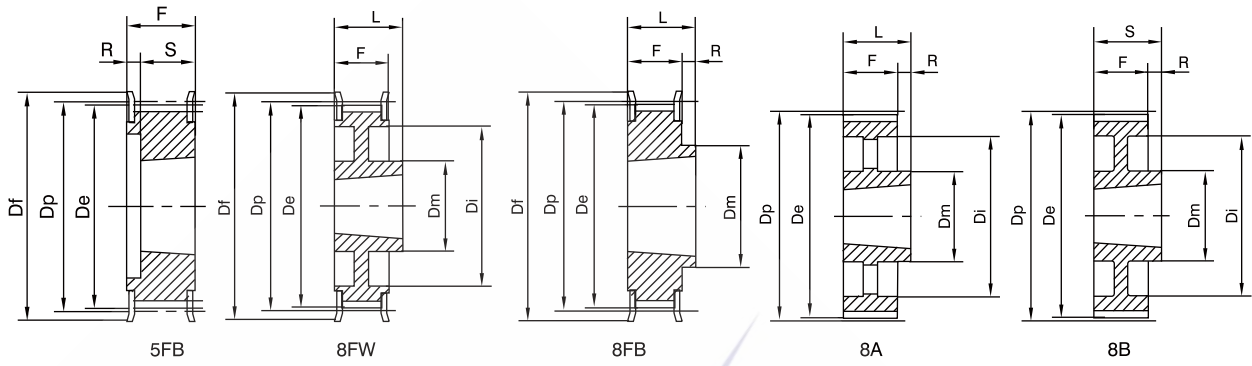
型号	齿数	结构	材料	锥孔号	DP	De	Df	Dm	Di	F	S	R
TL-34-5M-15	34	1FB	STEEL	1008	54.11	52.97	57	-	-	22	22	-
TL-36-5M-15	36	1FB	STEEL	1108	57.30	56.15	60	-	-	22	22	-
TL-38-5M-15	38	1FB	STEEL	1108	60.48	59.34	66.5	-	-	22	22	-
TL-40-5M-15	40	1FB	STEEL	1108	63.66	62.52	71	-	-	22	22	-
TL-44-5M-15	44	1FB	STEEL	1108	70.03	68.89	75	-	-	22	22	-
TL-48-5M-15	48	8FB	STEEL	1210	76.39	75.25	83	59	-	22	25	3
TL-56-5M-15	56	8FB	STEEL	1210	89.13	87.39	93	70	-	22	25	3
TL-64-5M-15	64	8FB	STEEL	1210	101.86	100.72	106	80	-	22	25	3
TL-72-5M-15	72	8	STEEL	1610	114.59	113.45	-	92	-	22	25	3
TL-80-5M-15	80	8	STEEL	1610	127.32	126.18	-	92	-	22	25	3
TL-90-5M-15	90	8	STEEL	1610	143.24	142.10	-	92	-	22	25	3
TL-112-5M-15	112	8	STEEL	2012	178.25	177.11	-	110	-	20	32	12
TL-136-5M-15	136	7A	STEEL	2012	216.45	215.31	-	110	199	20	32	6

锥套型号	内径																					
	10	11	12	14	16	18	19	20	22	24	25	28	30	32	35	38	40	42	45	48	50	
1008																						
1108																						
1210																						
1610																						
2012																						

备注: 键槽高度比标准略低



锥孔TL-8M-20系列



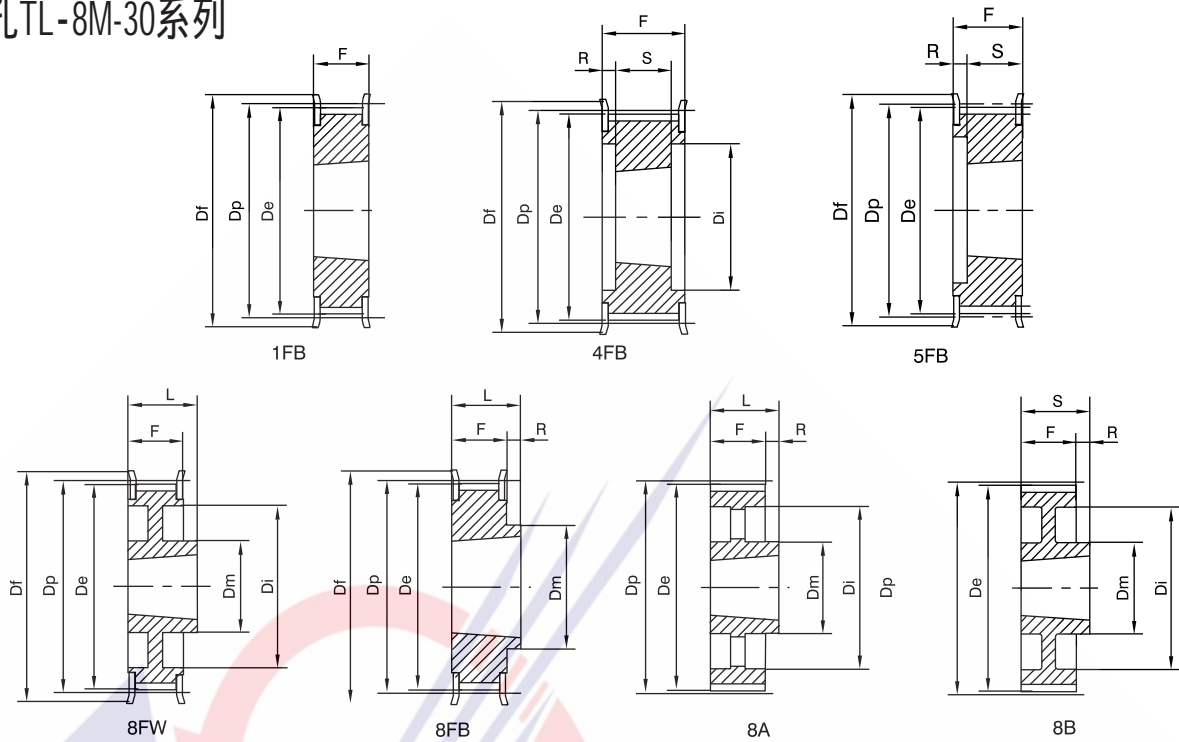
型号	齿数	结构	材料	锥孔号	DP	De	Df	Dm	Di	F	S	R
TL-22-8M-20	22	5FB	STEEL	1008	56.02	56.45	60.00	-	37	28	22	6
TL-24-8M-20	24	5FB	STEEL	1108	61.12	59.75	66.00	-	44	28	22	6
TL-26-8M-20	26	5FB	STEEL	1108	66.21	64.84	70.00	-	45	28	22	6
TL-28-8M-20	28	5FB	STEEL	1108	71.30	70.08	75.00	-	50	28	22	6
TL-30-8M-20	30	5FB	STEEL	1108	76.39	75.13	83.00	-	58	28	22	6
TL-32-8M-20	32	5FB	STEEL	1610	81.49	80.16	87.00	-	63	28	25	3
TL-34-8M-20	34	5FB	STEEL	1610	86.58	85.22	91.00	-	64	28	25	3
TL-36-8M-20	36	5FB	STEEL	1610	91.67	90.30	97.00	-	68	28	25	3
TL-38-8M-20	38	5FB	STEEL	1610	96.77	95.39	102.00	-	72	28	25	3
TL-40-8M-20	40	5FB	STEEL	1610	101.86	100.49	106.00	-	76	28	25	3
TL-44-8M-20	44	8FB	STEEL	2012	112.05	110.67	120.00	93	-	28	32	4
TL-48-8M-20	48	8FB	STEEL	2012	122.23	120.86	128.00	96	-	28	32	4
TL-56-8M-20	56	8FB	STEEL	2012	142.60	141.23	150.00	110	-	28	32	4
TL-64-8M-20	64	8FW	STEEL	2012	162.97	161.60	168.00	110	137	28	32	4
TL-72-8M-20	72	8FW	STEEL	2012	183.35	181.97	192.00	110	158	28	32	4
TL-80-8M-20	80	8B	CAST IRON	2012	203.72	202.35	-	110	180	28	32	4
TL-90-8M-20	90	8A	CAST IRON	2012	229.18	227.81	-	110	204	28	32	4
TL-144-8M-20	144	8A	CAST IRON	2517	366.69	365.32	-	125	336	28	32	4

锥套型号	内径																						
	10	11	12	14	16	18	19	20	22	24	25	28	30	32	35	38	40	42	45	48	50	55	60
1008																							
1108																							
1210																							
1610																							
2012																							
2517																							

备注：键槽高度比标准略低



锥孔TL-8M-30系列



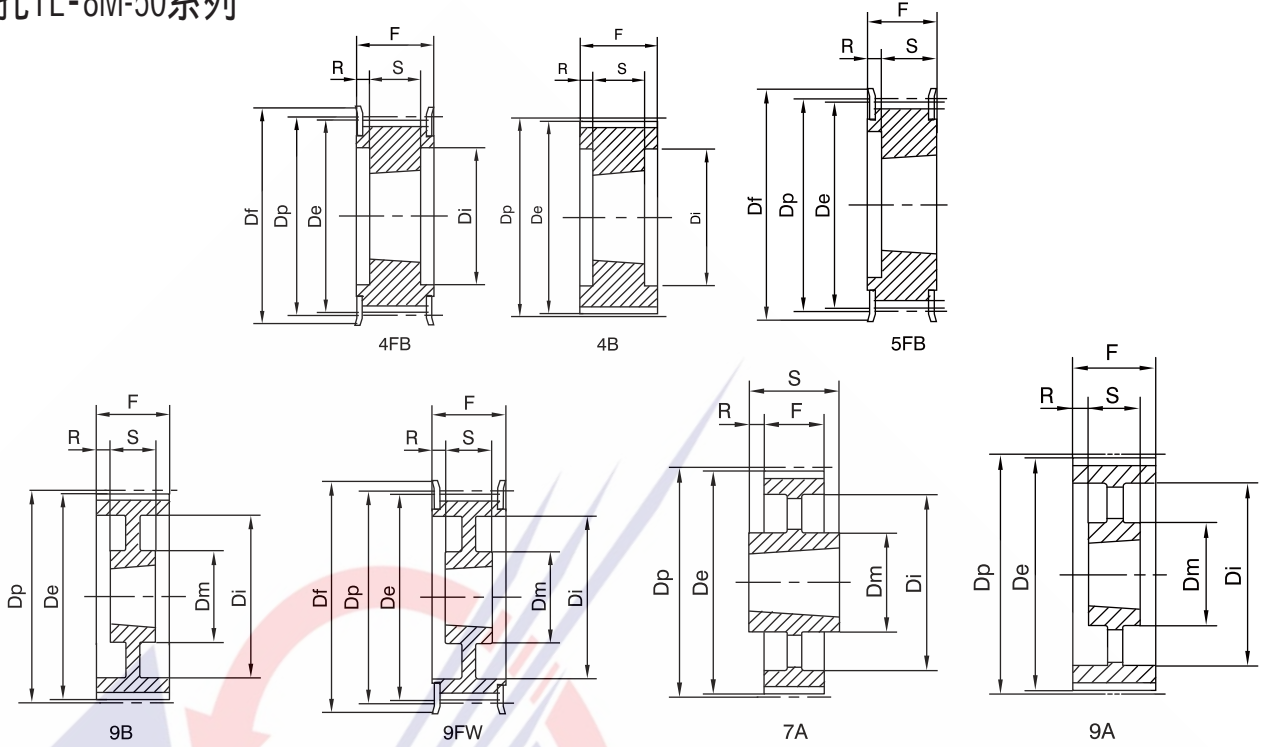
型号	齿数	结构	材料	锥孔号	DP	De	Df	Dm	Di	F	S	R
TL-22-8M-30	22	5FB	STEEL	1008	56.02	56.45	60	-	37	38	22	16
TL-24-8M-30	24	5FB	STEEL	1108	61.12	59.75	66	-	44	38	22	16
TL-26-8M-30	26	5FB	STEEL	1108	66.21	64.84	70	-	44	38	22	16
TL-28-8M-30	28	5FB	STEEL	1210	71.30	70.08	75	-	-	38	25	13
TL-30-8M-30	30	1FB	STEEL	1615	76.39	75.13	83	-	-	38	38	-
TL-32-8M-30	32	1FB	STEEL	1615	81.49	80.16	87	-	-	38	38	-
TL-34-8M-30	34	1FB	STEEL	1615	86.58	85.22	91	-	-	38	38	-
TL-36-8M-30	36	1FB	STEEL	1615	91.67	90.30	97	-	-	38	38	-
TL-38-8M-30	38	1FB	STEEL	1615	96.77	95.39	102	-	-	38	38	-
TL-40-8M-30	40	1FB	STEEL	1615	101.86	100.49	106	-	-	38	32	-
TL-44-8M-30	44	4FB	STEEL	2012	112.05	110.67	120	-	86	38	32	3
TL-48-8M-30	48	4FB	STEEL	2012	122.23	120.86	128	-	90	38	32	3
TL-56-8M-30	56	4FB	STEEL	2012	142.60	141.23	150	-	110	38	45	3
TL-64-8M-30	64	8FB	STEEL	2517	162.97	161.60	168	125	-	38	45	7
TL-72-8M-30	72	8FW	STEEL	2517	183.35	181.97	192	125	158	38	45	7
TL-80-8M-30	80	8B	CAST IRON	2517	203.72	202.35	-	125	180	38	45	7
TL-90-8M-30	90	8B	CAST IRON	2517	229.18	227.81	-	125	204	38	45	7
TL-112-8M-30	112	8A	CAST IRON	2517	285.21	283.83	-	125	254	38	45	7
TL-144-8M-30	144	8A	CAST IRON	2517	366.69	365.32	-	125	336	38	45	7

锥套型号	内径																									
	10	11	12	14	16	18	19	20	22	24	25	28	30	32	35	38	40	42	45	48	50	55	60			
1008																										
1108																										
1210																										
1615																										
2012																										
2517																										

备注：键槽高度比标准略低



锥孔TL-8M-50系列



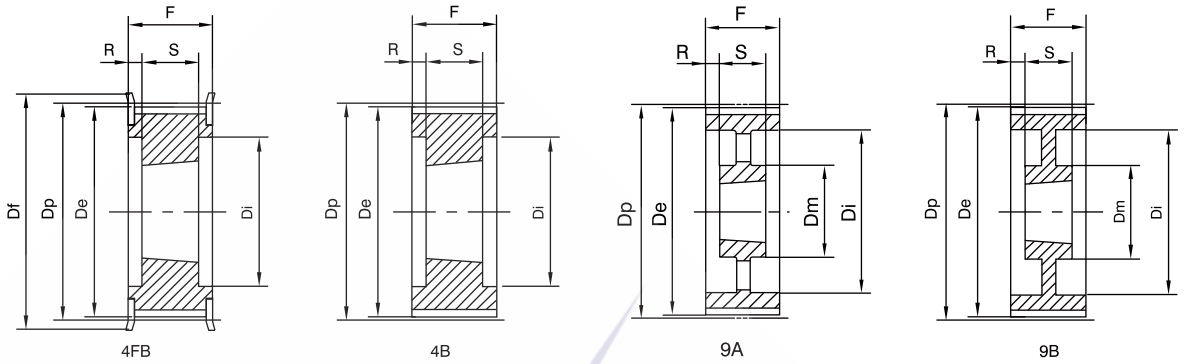
型号	齿数	结构	材料	锥孔号	DP	De	Df	Dm	Di	F	S	R
TL-28-8M-50	28	5FB	STEEL	1210	71.30	70.08	75	-	50	60	25	17.5
TL-30-8M-50	30	5FB	STEEL	1615	76.39	75.13	83	-	58	60	38	22
TL-32-8M-50	32	5FB	STEEL	1615	81.49	80.16	87	-	62	60	38	22
TL-34-8M-50	34	5FB	STEEL	1615	86.58	85.22	91	-	65	60	38	22
TL-36-8M-50	36	5FB	STEEL	1615	91.67	90.30	97	-	68	60	38	22
TL-38-8M-50	38	5FB	STEEL	1615	96.77	95.39	102	-	72	60	38	22
TL-40-8M-50	40	4FB	STEEL	2012	101.86	100.49	106	-	82	60	32	14
TL-44-8M-50	44	4FB	STEEL	2012	112.05	110.67	120	-	91	60	32	14
TL-48-8M-50	48	4FB	STEEL	2012	122.23	120.86	128	-	95	60	32	14
TL-56-8M-50	56	4FB	STEEL	2517	142.60	141.23	150	-	116	60	45	7.5
TL-64-8M-50	64	4FB	STEEL	2517	162.97	161.60	168	-	137	60	45	7.5
TL-72-8M-50	72	9FW	STEEL	2517	183.35	181.97	192	125	158	60	45	7.5
TL-80-8M-50	80	4B	CAST IRON	3020	203.72	202.35	-	-	180	60	51	4.5
TL-90-8M-50	90	9B	CAST IRON	3020	229.18	227.81	-	170	204	60	51	4.5
TL-112-8M-50	112	9B	CAST IRON	3020	285.21	283.83	-	170	260	60	51	4.5
TL-144-8M-50	144	9A	CAST IRON	3020	366.69	365.32	-	170	341	60	51	4.5
TL-168-8M-50	168	7A	CAST IRON	3525	427.81	426.44	-	198	395	60	65	2.5
TL-192-8M-50	192	7A	CAST IRON	3525	488.92	487.55	-	198	455	60	65	2.5

锥套型号	内径																													
	11	12	14	16	18	19	20	22	24	25	28	30	32	35	38	40	42	45	48	50	55	60	65	70	75	80	85	90	95	100
1210																														
1615																														
2012																														
2517																														
3020																														
3525																														

备注: 键槽高度比标准略低



锥孔TL-8M-85系列



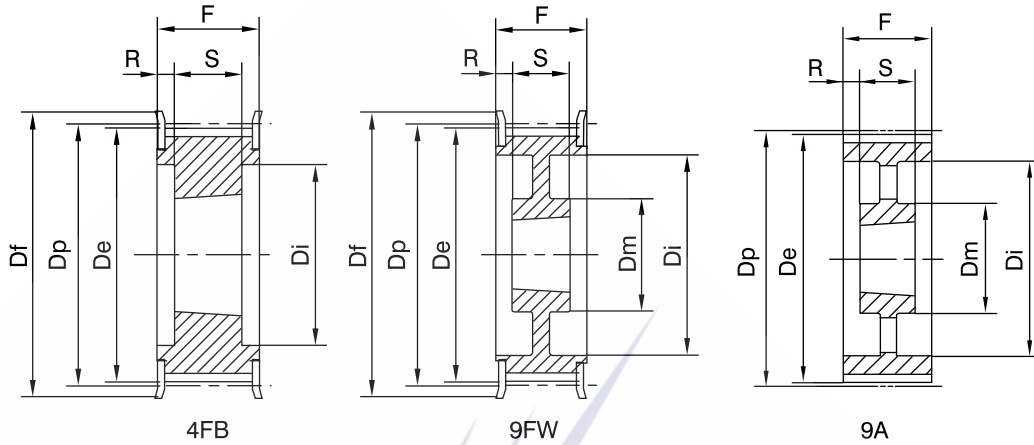
型号	齿数	结构	材料	锥孔号	DP	De	Df	Dm	Di	F	S	R
TL-34-8M-85	34	4FB	STEEL	1615	86.58	85.22	91	-	65	95	38	28.5
TL-36-8M-85	36	4FB	STEEL	1615	91.67	90.30	97	-	68	95	38	28.5
TL-38-8M-85	38	4FB	STEEL	1615	96.77	95.39	102	-	72	95	38	28.5
TL-40-8M-85	40	4FB	STEEL	2012	101.86	100.49	106	-	82	95	32	31.5
TL-44-8M-85	44	4FB	STEEL	2012	112.05	110.67	120	-	91	95	32	31.5
TL-48-8M-85	48	4FB	STEEL	2517	122.23	120.86	128	-	100	95	45	25
TL-56-8M-85	56	4FB	STEEL	2517	142.60	141.23	150	-	117	95	45	25
TL-64-8M-85	64	4FB	STEEL	2517	162.97	161.60	168	-	137	95	45	25
TL-72-8M-85	72	4FB	STEEL	3020	183.35	181.97	192	-	158	95	51	22
TL-80-8M-85	80	4B	CAST IRON	3020	203.72	202.35	-	-	180	95	51	22
TL-90-8M-85	90	9B	CAST IRON	3020	229.18	227.81	-	170	204	95	51	22
TL-112-8M-85	112	9B	CAST IRON	3020	285.21	283.83	-	170	260	95	51	22
TL-144-8M-85	144	9A	CAST IRON	3525	366.69	365.32	-	198	336	95	65	15
TL-168-8M-85	168	9A	CAST IRON	3525	427.81	426.44	-	198	395	95	65	15
TL-192-8M-85	192	9A	CAST IRON	3525	488.92	487.55	-	198	455	95	65	15

锥套型号	内径																													
	14	16	18	19	20	22	24	25	28	30	32	35	38	40	42	45	48	50	55	60	65	70	75	80	85	90	95	100		
1615																														
2012																														
2517																														
3020																														
3525																														

备注: 键槽高度比标准略低



锥孔TL-14M-40系列

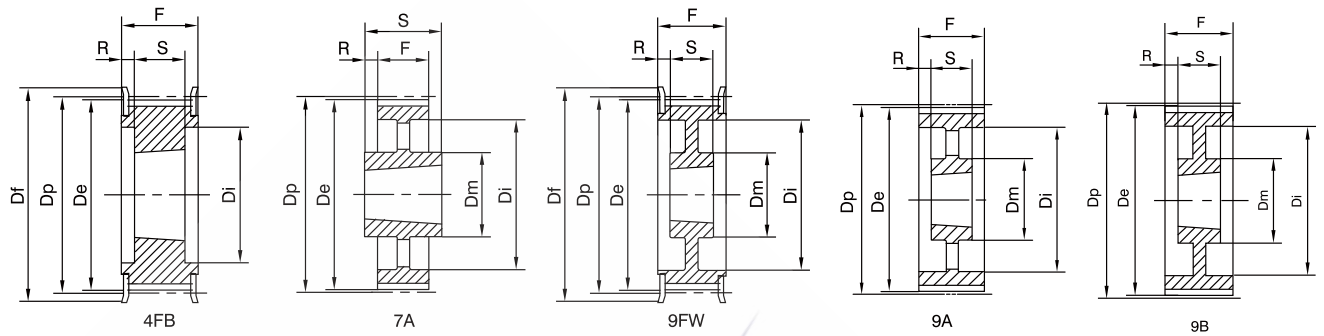


型号	齿数	结构	材料	锥孔号	DP	De	Df	Dm	Di	F	S	R
TL-28-14M-40	28	4FB	STEEL	2012	124.78	122.12	128	-	94	54	32	11
TL-29-14M-40	29	4FB	STEEL	2012	129.23	126.57	138	-	98	54	32	11
TL-30-14M-40	30	4FB	STEEL	2012	133.69	130.99	138	-	98	54	32	11
TL-32-14M-40	32	4FB	STEEL	2012	142.60	139.88	154	-	108	54	32	11
TL-34-14M-40	34	4FB	STEEL	2517	151.52	148.79	160	-	110	54	45	4.5
TL-36-14M-40	36	4FB	STEEL	2517	160.43	157.68	168	-	120	54	45	4.5
TL-38-14M-40	38	4FB	STEEL	2517	169.34	166.60	183	-	130	54	45	4.5
TL-40-14M-40	40	4FB	STEEL	2517	178.25	175.49	188	-	138	54	45	4.5
TL-44-14M-40	44	4FB	STEEL	3020	196.08	193.28	211	-	155	54	51	1.5
TL-48-14M-40	48	4FB	STEEL	3020	213.90	211.11	226	-	170	54	51	1.5
TL-56-14M-40	56	4FB	STEEL	3020	249.55	246.76	256	170	208	54	51	1.5
TL-64-14M-40	64	9FW	CAST IRON	3020	285.21	282.41	296	170	240	54	51	1.5
TL-72-14M-40	72	9A	CAST IRON	3020	320.86	318.06	-	170	280	54	51	1.5
TL-80-14M-40	80	9A	CAST IRON	3020	356.51	353.71	-	170	315	54	51	1.5
TL-90-14M-40	90	9A	CAST IRON	3020	401.07	398.28	-	170	360	54	51	1.5
TL-112-14M-40	112	9A	CAST IRON	3020	499.11	496.32	-	170	457	54	51	1.5
TL-144-14M-40	144	9A	CAST IRON	3020	641.71	638.92	-	170	600	54	51	1.5
TL-168-14M-40	168	9A	CAST IRON	3020	748.66	745.87	-	170	706	54	51	1.5
TL-192-14M-40	192	9A	CAST IRON	3020	855.62	852.82	-	170	813	54	51	1.5
TL-216-14M-40	216	9A	CAST IRON	3020	962.57	959.76	-	170	920	54	51	1.5

锥套型号	内径																					
	18	19	20	22	24	25	28	30	32	35	38	40	42	45	48	50	55	60	65	70	75	
2012																						
2517																						
3020																						



锥孔TL-14M-55系列

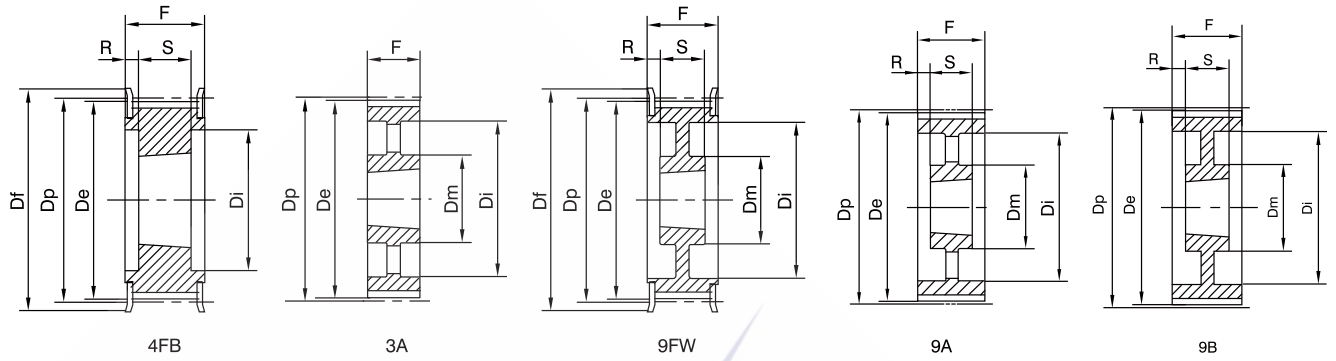


型号	齿数	结构	材料	锥孔号	DP	De	Df	Dm	Di	F	S	R
TL-28-14M-55	28	4FB	STEEL	2012	124.78	122.12	128	-	94	70	32	19
TL-29-14M-55	29	4FB	STEEL	2012	129.23	126.57	138	-	100	70	32	19
TL-30-14M-55	30	4FB	STEEL	2517	133.69	130.99	138	-	100	70	45	12.5
TL-32-14M-55	32	4FB	STEEL	2517	142.60	139.88	154	-	108	70	45	12.5
TL-34-14M-55	34	4FB	STEEL	2517	151.52	148.79	160	-	110	70	45	12.5
TL-36-14M-55	36	4FB	STEEL	2517	160.43	157.68	168	-	120	70	45	12.5
TL-38-14M-55	38	4FB	STEEL	2517	169.34	166.60	183	-	130	70	45	12.5
TL-40-14M-55	40	4FB	STEEL	2517	178.25	175.49	188	-	138	70	45	12.5
TL-44-14M-55	44	4FB	STEEL	3020	196.08	193.28	211	-	155	70	51	9.5
TL-48-14M-55	48	4FB	STEEL	3020	213.90	211.11	226	-	170	70	51	9.5
TL-56-14M-55	56	4FB	STEEL	3020	249.55	246.76	256	170	208	70	51	9.5
TL-64-14M-55	64	9FW	CAST IRON	3020	285.21	282.41	296	170	240	70	51	9.5
TL-72-14M-55	72	9B	CAST IRON	3020	320.86	318.06	-	170	280	70	51	9.5
TL-80-14M-55	80	9A	CAST IRON	3020	356.51	353.71	-	170	315	70	51	9.5
TL-90-14M-55	90	9A	CAST IRON	3020	401.07	398.28	-	170	360	70	51	9.5
TL-112-14M-55	112	9A	CAST IRON	3020	499.11	496.32	-	170	457	70	51	9.5
TL-144-14M-55	144	9A	CAST IRON	3020	641.71	638.92	-	170	600	70	51	9.5
TL-168-14M-55	168	9A	CAST IRON	3020	748.66	745.87	-	170	706	70	51	9.5
TL-192-14M-55	192	9A	CAST IRON	3020	855.62	852.82	-	170	813	70	51	9.5
TL-216-14M-55	216	7A	CAST IRON	3535	962.57	959.76	-	190	920	70	89	9.5

锥套型号	内径																							
	18	19	20	22	24	25	28	30	32	35	38	40	42	45	48	50	55	60	65	70	75	80	85	90
2012																								
2517																								
3020																								
3535																								



锥孔TL-14M-85系列

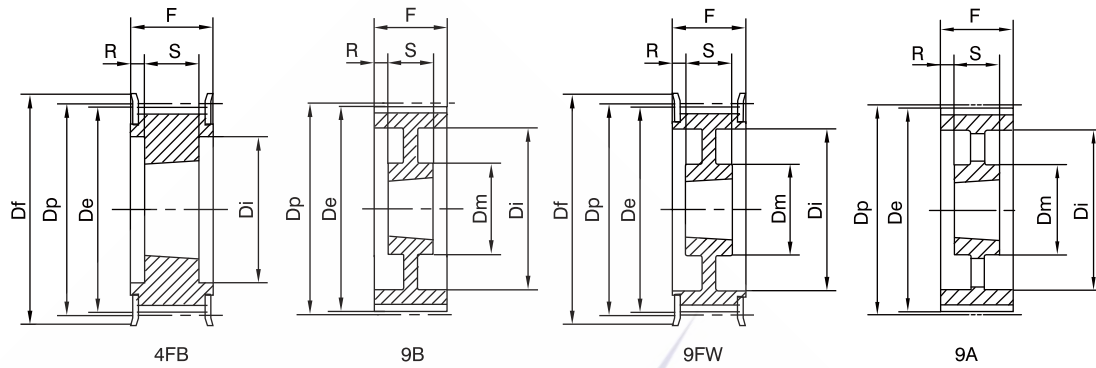


型号	齿数	结构	材料	锥孔号	DP	De	Df	Dm	Di	F	S	R
TL-28-14M-85	28	4FB	STEEL	2517	124.78	122.12	128	-	94	102	45	28.5
TL-29-14M-85	29	4FB	STEEL	2517	129.23	126.57	138	-	100	102	45	28.5
TL-30-14M-85	30	4FB	STEEL	2517	133.69	130.99	138	-	100	102	45	28.5
TL-32-14M-85	32	4FB	STEEL	2517	142.60	139.88	154	-	108	102	45	28.5
TL-34-14M-85	34	4FB	STEEL	2517	151.52	148.79	160	-	110	102	45	28.5
TL-36-14M-85	36	4FB	STEEL	3020	160.43	157.68	168	-	120	102	51	25.5
TL-38-14M-85	38	4FB	STEEL	3020	169.34	166.60	183	-	130	102	51	25.5
TL-40-14M-85	40	4FB	STEEL	3020	178.25	175.49	188	-	138	102	51	25.5
TL-44-14M-85	44	4FB	STEEL	3020	196.08	193.28	211	-	153	102	51	25.5
TL-48-14M-85	48	4FB	STEEL	3020	213.90	211.11	226	-	170	102	51	25.5
TL-56-14M-85	56	4FB	STEEL	3525	249.55	246.76	256	-	210	102	65	18.5
TL-64-14M-85	64	9FW	CAST IRON	3525	285.21	282.41	296	190	240	102	65	18.5
TL-72-14M-85	72	9B	CAST IRON	3525	320.86	318.06	-	190	280	102	65	18.5
TL-80-14M-85	80	9A	CAST IRON	3525	356.51	353.71	-	190	315	102	65	18.5
TL-90-14M-85	90	9A	CAST IRON	3525	401.07	398.28	-	190	360	102	65	18.5
TL-112-14M-85	112	9A	CAST IRON	3525	499.11	496.32	-	190	457	102	65	18.5
TL-144-14M-85	144	9A	CAST IRON	3525	641.71	638.92	-	190	600	102	65	18.5
TL-168-14M-85	168	9A	CAST IRON	3525	748.66	745.87	-	190	706	102	65	18.5
TL-192-14M-85	192	3A	CAST IRON	4040	855.62	852.82	-	190	813	102	102	-
TL-216-14M-85	216	3A	CAST IRON	4040	962.57	959.76	-	190	920	102	102	-

锥套型号	内径																								
	20	22	24	25	28	30	32	35	38	40	42	45	48	50	55	60	65	70	75	80	85	90	95	100	
2517																									
3020																									
3030																									
3535																									
4040																									



锥孔TL-14M-115系列

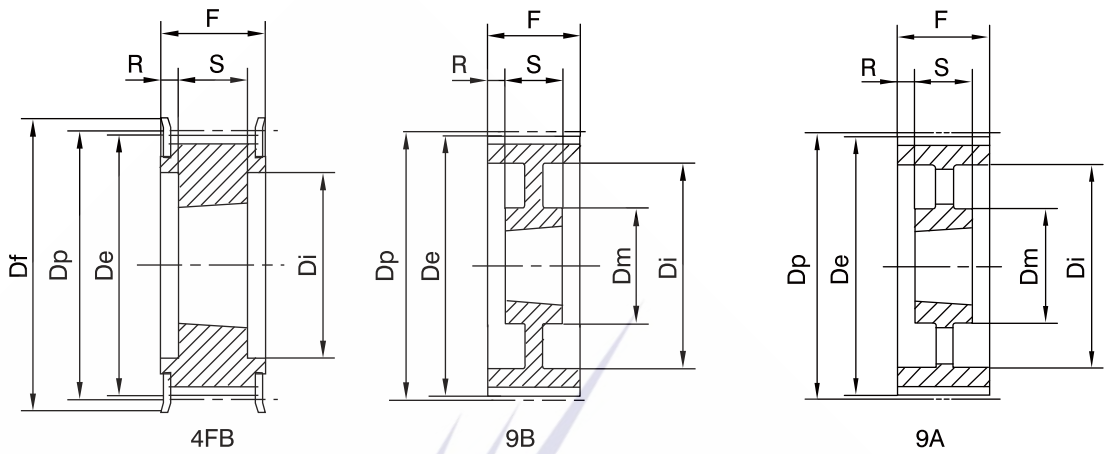


型号	齿数	结构	材料	锥孔号	DP	De	Df	Dm	Di	F	S	R
TL-28-14M-115	28	4FB	STEEL	2517	124.78	122.12	128	-	98	133	45	44
TL-29-14M-115	29	4FB	STEEL	2517	129.23	126.57	138	-	100	133	45	44
TL-30-14M-115	30	4FB	STEEL	2517	133.69	130.99	138	-	100	133	45	44
TL-32-14M-115	32	4FB	STEEL	2517	142.60	139.88	154	-	108	133	45	44
TL-34-14M-115	34	4FB	STEEL	2517	151.52	148.79	160	-	110	133	45	44
TL-36-14M-115	36	4FB	STEEL	3020	160.43	157.68	168	-	125	133	51	41
TL-38-14M-115	38	4FB	STEEL	3020	169.34	166.60	183	-	130	133	51	41
TL-40-14M-115	40	4FB	STEEL	3020	178.25	175.49	188	-	138	133	51	41
TL-44-14M-115	44	4FB	STEEL	3030	196.08	193.28	211	-	155	133	76	28.5
TL-48-14M-115	48	4FB	STEEL	3030	213.90	211.11	226	-	170	133	76	28.5
TL-56-14M-115	56	4FB	STEEL	3535	249.55	246.76	256	-	208	133	89	22
TL-64-14M-115	64	9FW	CAST IRON	3535	285.21	282.41	296	190	240	133	89	22
TL-72-14M-115	72	9B	CAST IRON	3535	320.86	318.06	-	190	280	133	89	22
TL-80-14M-115	80	9A	CAST IRON	3535	356.51	353.71	-	190	315	133	89	22
TL-90-14M-115	90	9A	CAST IRON	3535	401.07	398.28	-	190	360	133	89	22
TL-112-14M-115	112	9A	CAST IRON	3535	499.11	496.32	-	190	457	133	89	22
TL-144-14M-115	144	9A	CAST IRON	4040	641.71	638.92	-	230	600	133	102	15.5
TL-168-14M-115	168	9A	CAST IRON	4040	748.66	745.87	-	230	706	133	102	15.5
TL-192-14M-115	192	9A	CAST IRON	4040	855.62	852.82	-	230	813	133	102	15.5
TL-216-14M-115	216	9A	CAST IRON	4040	962.57	959.76	-	230	920	133	102	15.5

锥套型号	内径																								
	20	22	24	25	28	30	32	35	38	40	42	45	48	50	55	60	65	70	75	80	85	90	95	100	
2517																									
3020																									
3030																									
3535																									
4040																									



锥孔TL-14M-170系列



型号	齿数	结构	材料	锥孔号	DP	De	Df	Dm	Di	F	S	R
TL-38-14M-170	38	4FB	STEEL	3030	169.34	166.60	183	-	130	187	76	55.5
TL-40-14M-170	40	4FB	STEEL	3030	178.25	175.49	188	-	138	187	76	55.5
TL-44-14M-170	44	4FB	STEEL	3535	196.08	193.28	211	-	153	187	89	49
TL-48-14M-170	48	4FB	STEEL	3535	213.90	211.11	226	-	170	187	89	49
TL-56-14M-170	56	4FB	STEEL	3535	249.55	246.76	256	-	208	187	89	49
TL-64-14M-170	64	4FB	CAST IRON	4040	285.21	282.41	296	-	240	187	102	42.5
TL-72-14M-170	72	9B	CAST IRON	4040	320.86	318.06	-	230	280	187	102	42.5
TL-80-14M-170	80	9B	CAST IRON	4040	356.51	353.71	-	230	315	187	102	42.5
TL-90-14M-170	90	9A	CAST IRON	4040	401.07	398.28	-	230	360	187	102	42.5
TL-112-14M-170	112	9A	CAST IRON	5050	499.11	496.32	-	265	457	187	127	30
TL-144-14M-170	144	9A	CAST IRON	5050	641.71	638.92	-	265	600	187	127	30
TL-168-14M-170	168	9A	CAST IRON	5050	748.66	745.87	-	265	706	187	127	30
TL-192-14M-170	192	9A	CAST IRON	5050	855.62	852.82	-	265	813	187	127	30
TL-216-14M-170	216	9A	CAST IRON	5050	962.57	959.76	-	265	920	187	127	30

锥套型号	内径																								
	25	28	30	32	35	38	40	42	45	48	50	55	60	65	70	75	80	85	90	95	100	105	115	120	125
3030																									
3535																									
4040																									
5050																									



沈阳光宇科技有限公司

地址：辽宁省沈阳市东陵区长青街45号306

电话：024-31992640

传真：024-31992740

网址：<http://www.31992640.com>

E-Mail:xugy@tom.com