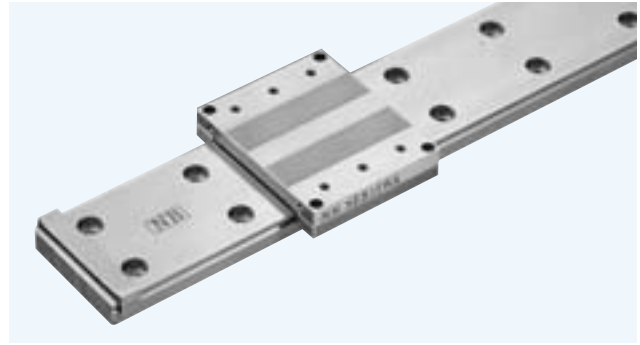


SER-WA TYPE

– Wide Type –



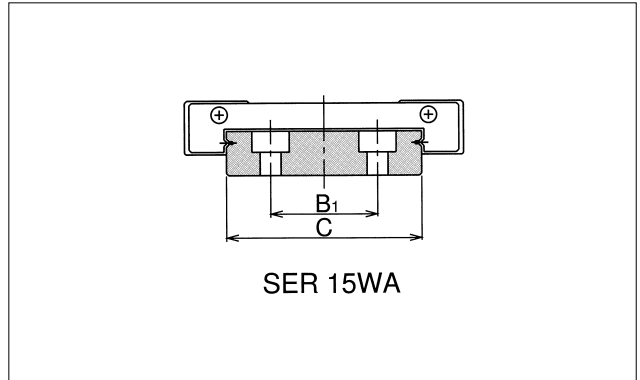
part number structure
 example **SERS 15WA UU 2- 589 P / W2**

specification	symbol for number of rails
SER standard	blank single rail
SERS anticorrosion	W2 double rails
	W3 triple rails

size	accuracy grade
	blank high
	P precision

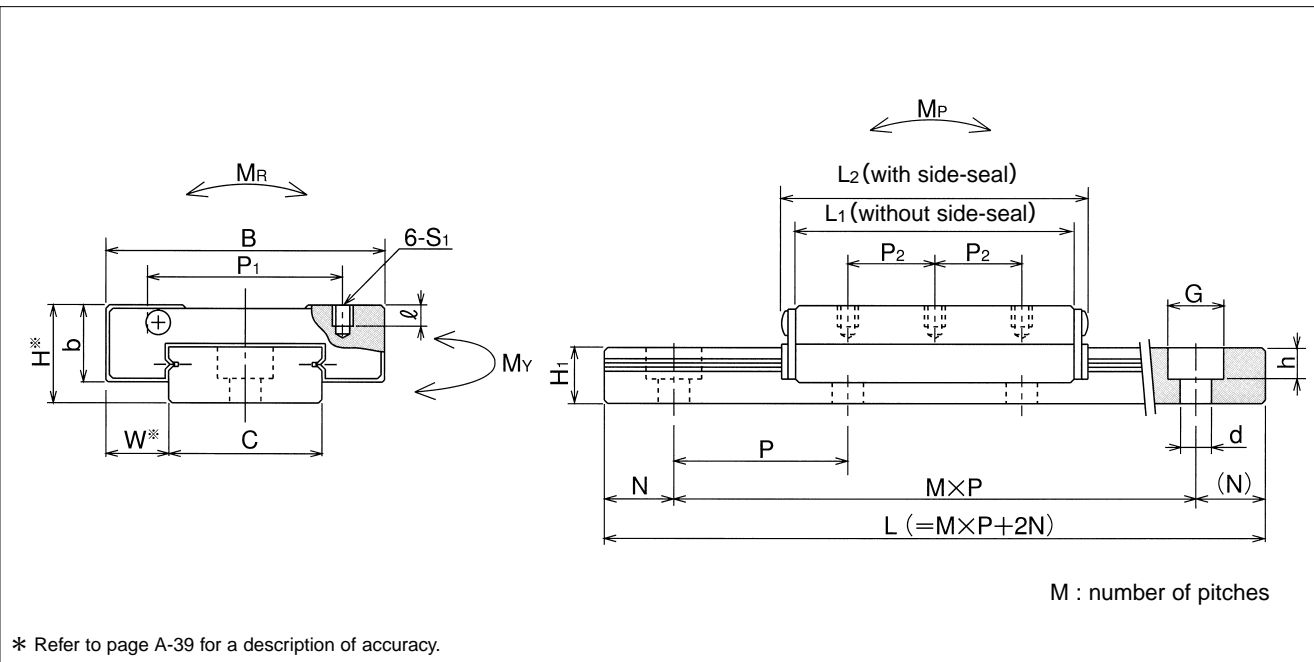
seal	number of blocks attached to one rail	total rail length
blank without side-seal		
UU seals on both ends		

Note: The symbol for the number of rails does not mean the number of rails ordered.



part number		assembly dimensions		block dimensions							
		H	W	B	L ₁	L ₂	P ₁	P ₂	S ₁	ℓ	b
standard	anticorrosion	mm	mm	mm	mm	mm	mm	mm		mm	mm
SER 9WA	SERS 9WA	12	6.5	30	35	39	21	10	M3	3	8.8
SER12WA	SERS12WA	14	9	40	40	44	28	12.5			11
SER15WA	SERS15WA	16		60	50	54	45	15	M4	4.5	11.5

part number		standard rail length							maximum length
		L							
standard	anticorrosion	mm							mm
SER 9WA	SERS 9WA	80	110	140	170	200	260	290	290
SER12WA	SERS12WA	110	150	190	230	310	390	470	470
SER15WA	SERS15WA	150	230	310	430	550	670		670



guide-rail dimensions						basic load rating		allowable static moment			mass		size
H ₁	C	B ₁	d×G×h	N	P	dynamic	static	M _P	M _V	M _R	block	guide rail	
mm	mm	mm	mm	mm	mm	C	Co	N·m	N·m	N·m	kg	kg/m	
7.5	17	—	3.5×6×4.5	10	30	3.43	3.72	24.5	27.4	51.9	0.06	0.90	9WA
8	22	—	4.5×8×4.5	15	40	4.41	5.00	35.3	39.2	85.3	0.10	1.22	12WA
9.5	42	23				7.35	8.92	55.9	61.7	215	0.18	2.8	15WA

1kN ≒ 102kgf 1N·m ≒ 0.102kgf·m