



## MODEL

### 16AM-FCC-1

(6 Vanes, CCW Rotation)

### 16AM-FRV-2

(6 Vanes, Reversible)

### 16AM-FCW-28

(6 Vanes, CW Rotation)

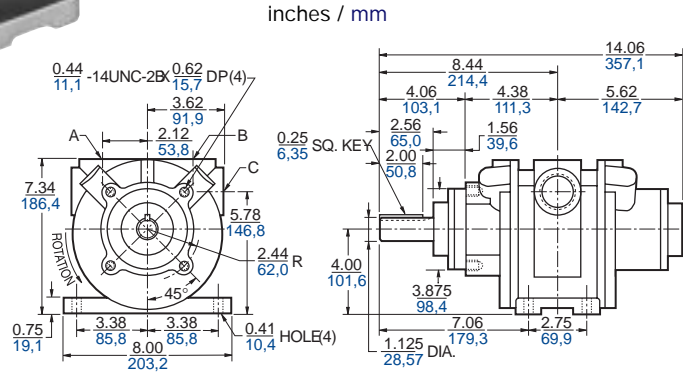
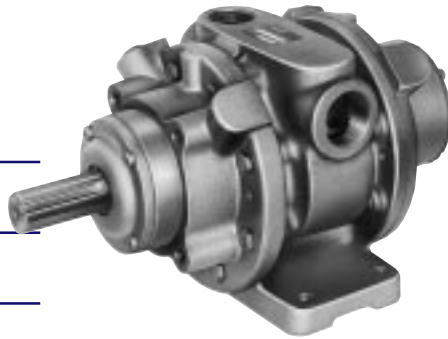
Net wt. 72 lbs. (32,4 kg) and 73 lbs. (32,9 kg) respectively.

## FEATURES

- Foot, face mounting
- Any plane operation

## RECOMMENDED

- Filter AH109F
- Regulator AH110R
- Gauge AA806
- Lubricator AH111L
- Muffler AG601
- Oil AD220 – 1 quart (.94 litres)
- Repair kit K212 (Single Rotation)
- Repair kit K213 (Reversible)



Rotation	A	B	C
Single direction	1 PIPE	NONE	1 1/4 PIPE
Reversible	1 1/4 PIPE	1 1/4 PIPE	NONE

### 16AM-FRV-13

(6 Vanes, Reversible)

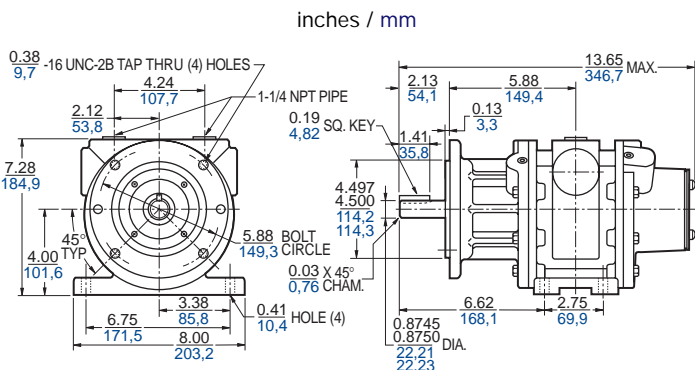
Net wt. 80 lbs. (36,0 kg)

## FEATURES

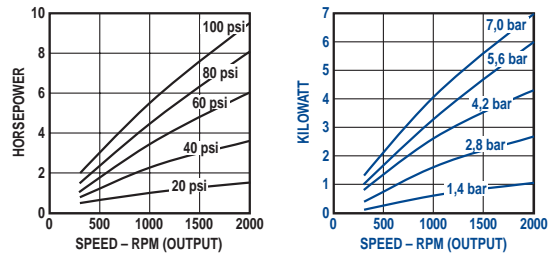
- NEMA 143 & 145TC mounting
- Any plane operation

## RECOMMENDED

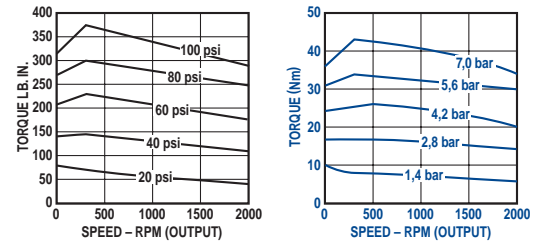
- Filter AH109F
- Regulator AH110R
- Gauge AA806
- Lubricator AH111L
- Muffler AG601
- Oil AD220 – 1 quart (.94 litres)
- Repair kit K213



## Output Power vs. Speed



## Torque vs. Speed



## Air Consumption vs. Speed

